



INSTITUTO MAURO BORGES
DE ESTATÍSTICAS E ESTUDOS
SOCIOECONÔMICOS

Quarterly basic statistics

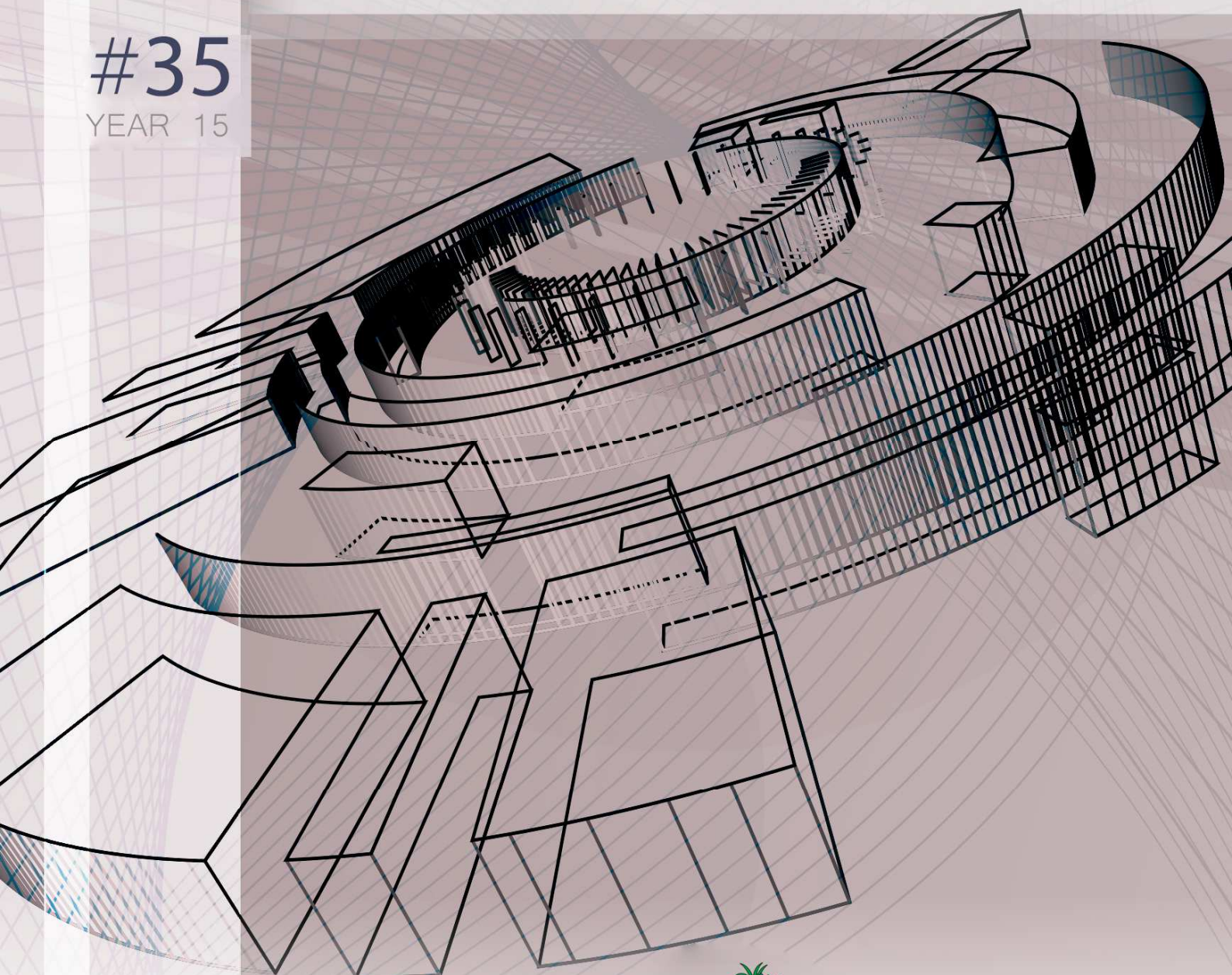
STATE OF GOIAS

ENGLISH VERSION

2018 / 2ND QUARTER

#35

YEAR 15



SEGPLAN

SECRETARIA DE ESTADO DE
GESTÃO E PLANEJAMENTO



STATE OF GOIAS GOVERNOR

José Eliton Júnior

MANAGEMENT AND PLANNING STATE SECRETARIAT

Joaquim Cláudio Figueiredo Mesquita

MAURO BORGES INSTITUTE

Lillian Maria Silva Prado

IMB - INSTITUTO MAURO BORGES

DE ESTATÍSTICAS E ESTUDOS SOCIOECONÔMICOS

Mauro Borges Institute attached to the Management and Planning State Secretariat, IMB is responsible for the elaboration of studies, researches, analysis and socioeconomic statistics, providing information for the creation of state politics in economic and social areas. The Office also provides a collection of statistical, geographic and cartographic data.

Department of Special and Socioeconomics Studies

Rui Rocha Gomes

Department of Regional Accounts and Indicators

Dinamar Maria Ferreira Marques

Department of Systematization and Dissemination of Socioeconomic Informations

Eduiges Romanatto

Department of Systematic and Special Researches

Marcelo Eurico de Sousa

Department of Cartography and Geoprocessing

Carlos Antônio Melo Cristóvão

Quarterly Basic Statistics - YEAR XIV 2018, 2nd Quarter.
Goiânia: Management and Planning State of Goiás Secretariat,
nov / 2018. 47 p.



Instituto Mauro Borges

Av. República do Líbano nº 1945 - 4º andar
Setor Oeste – Goiânia – Goiás - CEP 74.125-125
Telefone: (62) 3201-6695/8481

Internet: www.imb.go.gov.br, www.segplan.go.gov.br
e-mail: imb@segplan.go.gov.br

CONTENTS

1 – PHYSICAL / DEMOGRAPHIC ASPECTS.....	4
2 - ECONOMIC INDEX	6
3 – GROSS DOMESTIC PRODUCT (GDP)	7
4 – EXTRACTIVE INDUSTRY	9
5 – AGRICULTURE	11
6 – CATTLE RAISING	15
7 – INDUSTRY.....	18
8 – TRADE AND SERVICES	22
9 – BALANCE OF TRADE	25
10 – POWER	25
12 - EDUCATION.....	29
13 – PUBLIC SANITATION	32
14 – PUBLIC HEALTH.....	33
15 – SOCIAL INDICES	34
16 - EMPLOYMENT.....	35
17 - PUBLIC FINANCE	39
18 – STATE BUDGET	41
19 – FINANCING AND INVESTMENTS	44

1 – PHYSICAL / DEMOGRAPHIC ASPECTS

STATE OF GOIÁS, Midwest and Brazil: Total area – 2017.

Specification	Goiás	Midwest	Brazil	Share (%)	
				Goiás / Midwest	Goiás / Brazil
Área (km ²)	340,116.492	1,606,234.466	8,,515,759.090	21.17	3.99

Source: IBGE.

Compiled by: IMB / SEGPLAN-GO / Department of Systematization and Dissemination of Socioeconomic Information – 2018.

STATE OF GOIÁS, Midwest and Brazil: Resident Population – 1980, 1991, 1996, 2000, 2010 – 18.

Year	Population (thou inhabitants)			Share (%)	
	Goiás	Midwest	Brazil	Goiás / Midwest	Goiás / Brazil
1980	3,121	6,806	119,003	45.86	2.62
1991	4,019	9,428	146,825	42.63	2.74
1996	4,515	10,501	157,070	43.00	2.87
2000	5,003	11,637	169,799	42.99	2.95
2010	6,004	14,058	190,756	42.71	3.15
2011	6,218	14,576	195,243	42.66	3.18
2012	6,155	14,424	193,947	42.67	3.17
2013	6,434	14,993	201,033	42.91	3.20
2014	6,523	15,220	202,769	42.86	3.22
2015	6,611	15,442	204,451	42.81	3.23
2016	6,696	15,661	206,081	42.75	3.25
2017	6,779	15,876	207,661	42.70	3.26
2018	6,921	16,086	208,495	43.03	3.32

Source: IBGE.

Compiled by: IMB / SEGPLAN-GO / Department of Systematization and Dissemination of Socioeconomic Information – 2018.

The year of 1980 is referring to the State of Goiás after the splitting in two states

The year of Counting

The year of 2011 is PNAD

As of 2012 are Estimates

Note: The data in this table were reweighted by the 2008 revision of population projections, by IBGE, including the trend from 2000 to 2010.

STATE OF GOIÁS, Midwest and Brazil: Average geometric rate of annual growth.

Region	Rate of annual growth (%)						
	1980/1991	1991/1996	1996/2000	1991/2000	1980/2000	2000/2010	2010/2018
Goiás	2.33	2.36	2.60	2.46	2.39	1.84	1.79
Midwest	3.01	2.18	2.60	2.36	2.72	1.91	1.70
Brazil	1.93	1.36	1.97	1.63	1.79	1.17	1.12

Compiled by: IMB / SEGPLAN-GO / Department of Systematization and Dissemination of Socioeconomic Information – 2018.

STATE OF GOIÁS: Resident urban and rural population, demographic density and urbanization rate – 1980, 1991, 1996, 2000, 2010 – 15.

Year	Resident Population (thou inhab,)			Demographic Density (inhab, / km ²)	Urbanization Rate (%)
	Total	Urban	Rural		
1980	3,121	2,108	1,013	9.18	67.54
1991	4,019	3,248	771	11.82	80.82
1996	4,515	3,873	642	13.28	85.78
2000	5,003	4,397	607	14.71	87.89
2010	6,004	5,421	583	17.65	90.29
2011	6,218	5,729	489	18.28	92.14
2012	6,296	5,765	530	18.51	91.57
2013	6,456	5,913	543	18.98	91.59
2014	6,544	6,036	508	19.24	92.24
2015	6,631	6,076	555	19.50	91.63

Source: IBGE.

Compiled by: IMB / SEGPLAN-GO / Department of Systematization and Dissemination of Socioeconomic Information – 2018. As of 2011 PNAD.

Note: The data in this table were reweighted by the 2008 revision of population projections, by IBGE, including the trend from 2000 to 2010.

STATE OF GOIÁS, Midwest and Brazil: Resident Population according to gender, people of 15 years and over and permanent private residences – 2017. (Per thous).

Region	Resident Population			People of 15 years and over		Permanent private residences
	Total	Men	Women	Total	Illiteracy (%)	
Goiás	6,779	3,308	3,471	5,362	5.9	2,327
Midwest	15,760	7,649	8,111	12,390	5.2	5,383
Brazil	207,088	100,128	106,960	164,951	7.0	69,773

Source: IBGE/ PNADC

Compiled by: IMB / SEGPLAN-GO / Department of Systematization and Dissemination of Socioeconomic Information – 2018.

STATE OF GOIÁS, Midwest and Brazil: Voters as per age group – september/2018.

Age Group	Goiás	Midwest	Brazil	Share (%)	
				Goiás/Midwest	Goiás/Brazil
16 years	11,728	27,783	403,683	42.21	2.91
17 years	32,333	74,322	996,934	43.50	3.24
18 to 20 years	253,578	602,689	8,178,821	42.07	3.10
21 to 24 years	390,857	950,902	12,650,382	41.10	3.09
25 to 34 years	964,529	2,359,749	31,150,971	40.87	3.10
35 to 44 years	965,491	2,353,924	30,431,418	41.02	3.17
45 to 59 years	1,105,527	2,647,839	35,743,263	41.75	3.09
60 to 69 years	445,311	1,042,414	15,719,285	42.72	2.83
70 to 79 years	213,545	494,817	7,933,538	43.16	2.69
79 years and over	71,549	192,516	4,095,070	37.17	1.75
Not informed	49	161	2,910	30.43	1.68
Total	4,454,497	10,747,116	147,306,275	41.45	3.02

Source: TSE.

Compiled by: IMB / SEGPLAN-GO / Department of Systematization and Dissemination of Socioeconomic Information – 2018.

2 - ECONOMIC INDEX

Economic Indexes – 2012 – 18.

Indices	Yearly Variation (%)						Variation - Jan- aug (%)
	2012	2013	2014	2015	2016	2017	2018
IPCA (IBGE)	5.84	5.91	6.41	10.67	6.29	2.95	2.85
INPC (IBGE)	6.20	5.56	6.23	11.28	6.58	2.07	2.83
IGP – DI (FGV)	8.10	5.52	3.78	10.70	7.18	-0.42	6.63
IPCA – Goiânia (IBGE)	5.40	5.62	7.20	11.10	5.25	3.76	1.99
INPC – Goiânia (IBGE)	6.97	4.93	6.23	12.19	5.36	3.14	1.67
IPC – Goiânia (SEGPLAN)	9.63	5.93	8.42	14.18	7.31	3.40	3.46

Source: IBGE / FGV / SEGPLAN-GO.

Compiled by: IMB / SEGPLAN-GO / Department of Systematization and Dissemination of Socioeconomic Information – 2018.

3 – GROSS DOMESTIC PRODUCT (GDP)

STATE OF GOIÁS, Midwest and Brazil: Gross domestic product at current market prices and per capita – 2013 - 17.

Region	GDP at current prices (R\$ million)					GDP per capita (R\$)				
	2013	2014	2015	2016	2017	2013	2014	2015	2016	2017
Goiás	151,3	165,015	173,632	181,261	189,968	23,515.55	25,296.60	26,265.32	27,070.63	28,023.95
Midwest	485,623	542,632	579,745	32,389.57	35,653.48	37,542.83
Brazil	5,331,619	5,778,953	5,995,787	6,259,228	6,559,940	26,521.15	28,500.24	29,326.33	30,410.31	31,587.00

Source: SEGPLAN-GO / IMB / Regional Account Management.

IMB / SEGPLAN-GO / Department of Systematization and Dissemination of Socioeconomic Information – 2018.
estimates can be reviewed.

Compiled by:

At 2016 and 2017 the

STATE OF GOIÁS and Midwest: Share of the Brazilian GDP at current market prices – 2011 – 15 (%).

Region	2011	2012	2013	2014	2015
Goiás	2.8	2.9	2.8	2.9	2.9
Midwest	9.1	9.2	9.1	9.4	9.7

Source: SEGPLAN-GO / IMB / Regional Account Management.

of Systematization and Dissemination of Socioeconomic Information – 2018.

Compiled by: IMB / SEGPLAN-GO / Department

STATE OF GOIÁS: Structure of the GDP – 2011 – 15.

Year	Structure of the GDP per sector (%)			
	GDP	Farming	Industry	Services
2011	100.0	11.0	26.9	62.0
2012	100.0	11.5	25.8	62.6
2013	100.0	12.3	25.8	61.9
2014	100.0	10.7	23.8	65.6
2015	100.0	10.4	24.5	65.1

Source: SEGPLAN-GO / IMB / Regional Account Management.

Compiled by: IMB / SEGPLAN-GO / Department of Systematization and Dissemination of Socioeconomic Information – 2018.

STATE OF GOIÁS: Actual variation rate – 2011 – 15.

Sector	Actual variation rate (%)				
	2011	2012	2013	2014	2015
Farming	10.8	8.8	1.2	-1.0	-4.9
Industry	7.6	1.3	3.8	2.2	-4.8
Services	4.0	4.9	3.5	1.7	-3.7
GDP	5.8	4.5	3.1	1.9	-4.3

Source: SEGPLAN-GO / IMB / Regional Account Management.

Compiled by: IMB / SEGPLAN-GO / Department of Systematization and Dissemination of Socioeconomic Information – 2018.

STATE OF GOIÁS e Brazil: Gross Domestic Product - Rate (over the same previous period) - 2016 – 18.

Year	Farming		Industry		Services		GDP	
	Goiás	Brazil	Goiás	Brazil	Goiás	Brazil	Goiás	Brazil
1st Trim. 2016	8.5	-6.5	-8.7	-6.9	-4.3	-3.5	-2.6	-5.2
2ndTrim. 2016	1.0	-4.1	-2.7	-3.2	-3.5	-2.6	-2.6	-3.4
3rd Trim. 2016	3.5	-3.6	-2.5	-2.8	-2.0	-2.1	-1.5	-2.7
4th Trim. 2016	40.0	-1.8	-5.3	-3.0	-0.8	-2.3	-4.5	-2.5
Accumulated 2016	1.2	-4.3	-4.6	-4.0	-2.7	-2.6	-2.7	-3.5
1st Trim. 2017	6.9	18.5	2.4	-1.0	-1.7	-1.6	0.4	0.0
2ndTrim. 2017	22.0	14.8	-5.7	-1.9	-0.6	-0.2	1.2	0.4
3rd Trim. 2017	27.3	9.1	-2.4	0.4	0.2	1.0	3.5	1.4
4th Trim. 2017	-12.0	6.1	1.3	2.7	-0.2	1.7	2.3	2.1
Accumulated 2017	21.5	13.0	-1.4	0.0	-0.6	0.3	1.8	1.0
1st Trim. 2018	1.5	-2.6	1.6	1.6	2.2	1.5	1.8	1.2
2ndTrim. 2018	0.4	-0.4	-0.9	1.2	1.0	1.2	0.4	1.0

Source: Regional Account Management.

Compiled by: IMB / SEGPLAN-GO / Department of Systematization and Dissemination of Socioeconomic Information – 2018.

Estimate can be reviewed.

4 – EXTRACTIVE INDUSTRY

STATE OF GOIÁS: Production of principal minerals – 2012 – 16.

Mineral	Production (t)				
	2012	2013	2014	2015	2016
Mineral water	144,503,934	155,032,502	189,689,995	181,455,443	183,719,813
Asbestos	304,569	290,826	311,228	232,052	177,677
Limestone	1,987,274	2,241,416	2,282,769	2,029,555	1,407,755
Agric, Limestone	4,623,927	3,787,300	4,422,703	3,232,392	4,846,495
Cobalt	3,122	3,239	3,865	2,771	853
Copper	75,055	62,802	65,574	63,985	54,293
Emerald	ND	ND	ND	ND	0,1
Phosphate	2,049,546	3,484,689	2,425,709	2,316,566	2,277,807
Gold	11,238	6,280	7,766	6,605	6,785
Niobium	13,037	12,464	12,773	12,740	15,022
Nickel	65,178	66,919	75,956	48,800	50,615
Vermiculite	60,125	58,163	52,001	52,166	51,557

Source: DNPM.

Compiled by: IMB / SEGPLAN-GO / Department of Systematization and Dissemination of Socioeconomic Information – 2018.

Mineral water In liters

Emerald and Gold In kg

Arbestos in fibers

Nickel in iron-nickel alloy and in nickel carbonate

Limestone for cement

STATE OF GOIÁS: Sales of principal minerals – 2012 – 16.

Mineral	Sales (t)				
	2012	2013	2014	2015	2016
Mineral water	144,503,934	155,032,502	189,689,995	181,455,443	183,719,813
Asbestos	304,569	295,003	275,268	232,052	177,677
Limestone	1,987,274	2,241,562	2,285,422	2,026,132	1,406,737
Agric, Limestone	4,623,927	3,778,402	4,324,547	3,195,531	4,766,218
Cobalt	3,122	3,239	3,865	2,771	853
Copper	75,055	63,331	65,574	63,985	54,293
Emerald	ND	ND	ND	ND	0,1
Phosphate	2,049,546	3,622,801	2,207,019	2,234,867	3,405,009
Gold	11,238	6,293	7,779	6,608	6,785
Niobium	13,037	12,464	12,773	12,740	15,022
Nickel	65,178	66,411	75,568	48,800	50,615
Vermiculite	60,125	64,232	52,001	50,835	51,557

Source: DNPM.

Compiled by: IMB / SEGPLAN-GO / Department of Systematization and Dissemination of Socioeconomic Information – 2018.

Mineral water in liters

(4) Emerald and Gold In kg

Arbestos in fibers

Nickel in iron-nickel alloy and in nickel carbonate

Limestone for cement

STATE OF GOIÁS, Midwest and Brazil: Collection of the Financial Compensation through exploitation of the mineral resources – 2012 – 18 (R\$ 1,000).

Year	Goiás	Midwest	Brazil	Share (%)	
				Goiás / Midwest	Goiás / Brazil
2012	74,402	107,909	1,832,381	68.95	4.06
2013	69,057	117,258	2,373,783	58.89	2.90
2014	71,013	130,010	1,703,461	54.62	4.17
2015	79,351	118,392	1,494,762	67.02	5.31
2016	102,002	160,238	1,794,668	63.66	5.68
2017	84,461	124,053	1,696,464	68.08	4.98
2018	65,739	109,875	1,842,495	59.83	3.57

Source: National Department of Mineral Production.

Compiled by: IMB / SEGPLAN-GO / Department of Systematization and Dissemination of Socioeconomic Information – 2018.

2018: january to august.

STATE OF GOIÁS: Amount and value of products from vegetal and silvicultural origin – 2014 – 17.

Specification	Amount				Value (R\$ 1,000)			
	2014	2015	2016	2017	2014	2015	2016	2017
Timber (Vegetal origin)								
- Charcoal (t)	24,598	4,919	3,040	2,223	22,681	4,768	3,033	2,344
- Lumber (m ³)	490,265	462,823	499,231	307,926	16,798	16,510	15,486	8,043
- Logs (m ³)	7,369	6,683	6,340	30,343	3,545	3,302	3,216	5,562
Timber (Silviculture)								
- Charcoal (t)	3,192	1,276	1,190	1,233	3,701	1,996	1,586	1,497
- Lumber (m ³)	4,357,778	3,444,304	3,300,753	2,819,066	268,427	160,454	151,118	129,650
- Logs (m ³)	598,180	574,025	693,296	694,437	65,491	64,484	79,011	87,709

Source: IBGE.

Compiled by: IMB / SEGPLAN-GO / Department of Systematization and Dissemination of Socioeconomic Information – 2018.

5 – AGRICULTURE

STATE OF GOIÁS, Midwest and Brazil: Grain Production – 2008 – 18.

Year	Goiás (t)	Midwest (t)	Brazil (t)	Share (%)		Ranking	
				Goiás / Midwest	Goiás / Brazil	Goiás / Midwest	Goiás / Brazil
2008	13,295,063	50,230,541	148,205,645	26.47	8.97	2 nd	4 th
2009	13,313,507	48,978,139	136,375,615	27.18	9.76	2 nd	4 th
2010	13,312,250	52,340,028	152,199,493	25.43	8.75	2 nd	4 th
2011	15,116,917	56,134,130	162,083,402	26.93	9.33	2 nd	4 th
2012	18,259,907	70,865,890	165,044,477	25.77	11.06	2 nd	4 th
2013	18,131,632	78,466,663	191,016,977	23.10	9.49	2 nd	4 th
2014	19,757,173	83,018,762	197,376,656	23.80	10.01	2 nd	4 th
2015	19,569,247	89,734,985	212,349,875	21.81	9.22	2 nd	4 th
2016	16,976,994	75,161,472	188,780,410	22.59	9.00	2 nd	4 th
2017	22,688,968	105,953,802	243,381,367	21.41	9.32	2 nd	4 th
2018	21,642,789	99,234,327	229,236,155	21.81	9.44	2 nd	4 th

Source: IBGE.

Compiled by: IMB / SEGPLAN-GO / Department of Systematization and Dissemination of Socioeconomic Information – 2018.
2018: Position: august.

STATE OF GOIÁS, Midwest and Brazil: Production of main agricultural products – 2017 – 2018 (tons).

Product	Goiás		Midwest		Brazil	
	2017	2018	2017	2018	2017	2018
Pineapple (1,000 fruit)	60,104	...	97,982	...	1,502,598	...
Cotton	103,871	100,802	2,813,790	3,404,170	3,842,872	4,785,086
Garlic	29,615	...	34,331	...	120,897	...
Rice (in husk)	123,955	126,010	870,746	697,995	12,469,516	11,788,109
Coffe	14,622	17,348	22,830	25,238	2,680,515	3,447,254
Sugar cane	71,387,519	76,082,607	137,579,439	146,041,860	758,548,292	686,752,550
Beans (1 st , 2 nd and 3 rd harvest)	349,822	325,100	778,207	715,292	3,033,017	3,250,048
Orange	154,590	144,370	185,041	174,436	17,459,908	17,055,855
Corn (1 st , 2 nd and 3 rd harvest)	9,996,344	8,691,532	50,221,133	41,188,711	97,721,860	81,018,745
Soy bean	11,372,539	11,369,134	51,195,799	53,051,434	114,599,168	116,768,024
Sorghum	817,565	978,870	1,084,811	1,199,102	2,223,627	2,104,936
Tomato (table and industry)	1,298,088	1,368,567	1,332,506	1,403,473	4,230,150	4,362,804
Wheat (dry and irrigated)	52,845	45,650	101,616	103,270	4,323,551	5,879,675

Source: IBGE.

Compiled by: IMB / SEGPLAN-GO / Department of Systematization and Dissemination of Socioeconomic Information – 2018.
2018: Position: august.

STATE OF GOIÁS, Midwest and Brazil: Production Ranking of the main agricultural products - 2017 – 2018.

Product	Goiás / Midwest		Goiás / Brazil	
	2017	2018	2017	2018
Pineapple (1,000 fruit)	2 nd	...	10 th	...
Cotton	3 rd	3 rd	4 th	4 th
Garlic	1 st	...	2 nd	...
Rice (in husk)	2 nd	2 nd	8 th	8 th
Coffee	1 st	1 st	8 th	8 th
Sugar-cane	1 st	1 st	2 nd	2 nd
Beans	2 nd	2 nd	4 th	5 th
Orange	1 st	1 st	9 th	8 th
Corn	2 nd	2 nd	3 rd	3 rd
Soy bean	2 nd	2 nd	4 th	4 th
Sorghum	1 st	1 st	1 st	1 st
Tomato	1 st	1 st	1 st	1 st
Wheat	1 st	2 nd	6 th	7 th

Source: IBGE

Compiled by: IMB / SEGPLAN-GO / Department of Systematization and Dissemination of Socioeconomic Information – 2018.

STATE OF GOIÁS: Area, production and average yield of main agricultural products – 2017 – 2018.

Product	2017			2018			
	Harvested Area (ha)	Production (t)	Average Yield (kg / ha)	Area planted or expected to be planted (ha)	Harvested or expected area (ha)	Achieved or Expected Production (t)	Average or Expected Yield (kg / ha)
Cotton	26,051	101,276	3,888	26,865	26,865	100,618	3,745
Rice	21,708	123,955	5,710	24,097	24,097	126,001	5,229
Sugar cane	922,817	71,387,519	77,358	1,153,236	958,878	76,125,753	79,390
Beans	150,523	349,822	2,324	124,824	124,286	307,910	2,477
Sunflower	15,143	23,692	1,565	18,889	18,889	26,666	1,412
Cassava	13,272	201,078	15,151	18,645	11,777	182,938	15,533
Corn	1,633,471	9,996,344	6,120	1,456,101	1,456,021	8,672,595	5,956
Soy bean	3,331,608	11,372,539	3,414	3,268,323	3,268,323	11,355,360	3,474
Sorghum	228,927	817,565	3,571	275,133	275,133	974,860	3,543
Tomato	16,307	1,298,088	79,603	15,160	15,160	1,368,567	90,275
Wheat dry	10,535	52,845	5,016	10,750	10,000	45,650	4,565

Source: GCEA – Group of Coordination of Farming Statistics.

Compiled by: IMB / SEGPLAN-GO / Department of Systematization and Dissemination of Socioeconomic Information – 2018. 2018: Position: september.

STATE OF GOIÁS: Municipalities with highest harvest – 2017.

Product	Production (t)	Municipality	Municipality / State (%)
Pineapple (in 1,000 fruit)	41,925	Jaraguá	69.75
Cotton	26,928	Chapadão do Céu	25.92
Garlic	22,100	Cristalina	74.62
Rice (in husk)	65,950	Flores de Goiás	53.20
Banana	35,850	Anápolis	17.16
English potato	120,000	Cristalina	54.82
Rubber (coagulated latex)	5,460	Barro Alto	26.32
Coffee	2,600	Cristalina	17.78
Sugar cane	6,136,258	Quirinópolis	8.60
Onion	117,000	Cristalina	89.72
Bean (1 st , 2 nd and 3 rd harvest)	58,980	Cristalina	16.86
Sunflower	6,338	Ipameri	26.75
Guava	2,415	Morrinhos	58.49
Orange	30,150	Itaberaí	19.50
Cassava	7,955	Bela Vista de Goiás	3.96
Passion fruit	150,000	Uruana	55.99
Corn (1 st , 2 nd and 3 rd harvest)	1,551,600	Rio Verde	15.52
Soy bean	1,102,500	Rio Verde	9.69
Sorghum	157,500	Paraúna	19.26
Tomato	288,000	Cristalina	22.19
Wheat	30,840	Cristalina	58.36

Source: IBGE.

Compiled by: IMB / SEGPLAN-GO / Department of Systematization and Dissemination of Socioeconomic Information – 2018.

STATE OF GOIÁS: Ranking of grain production per microregion – 2017.

Microregion	Grain Production (t)	Share (%)	Ranking
013 – Sudoeste de Goiás	10,175,440	44.60	1 st
012 - Entorno de Brasília	3,082,804	13.51	2 nd
015 - Meia Ponte	2,599,145	11.39	3 rd
014 - Vale do Rio dos Bois	1,771,059	7.76	4 th
017 - Catalão	1,468,312	6.44	5 th
016 - Pires do Rio	1,352,393	5.93	6 th
004 – Porangatu	454,842	1.99	7 th
005 - Chapada dos Veadeiros	318,086	1.39	8 th
007 – Anápolis	263,689	1.16	9 th
010 – Goiânia	248,034	1.09	10 th
003 – Aragarças	234,687	1.03	11 th
018 - Quirinópolis	205,974	0.90	12 th
011 - Vão do Paraná	150,383	0.66	13 th
006 – Ceres	126,322	0.55	14 th
002 - Rio Vermelho	114,557	0.50	15 th
001 – São Miguel do Araguaia	102,785	0.45	16 th
009 – Anicuns	99,816	0.44	17 th
008 – Iporá	46,475	0.20	18 th
Estado de Goiás	22,814,803	100.00	

Source: IBGE.

Compiled by: IMB / SEGPLAN-GO / Department of Systematization and Dissemination of Socioeconomic Information – 2018

STATE OF GOIÁS: Ranking the 25 municipalities with the highest irrigated by pivots – 2016.

Municipalities	Number of Pivots	Total area by municipalities (ha)	Mean (ha)	Ranking	
				For area of occupancy of the pivots	For a number of pivots
STATE OF GOIÁS	3,326	242,872.58	73.02	-	-
Cristalina	748	58,684.98	78.46	1 st	1 st
Jussara	114	12,677.50	111.21	2 nd	4 th
Água Fria de Goiás	106	8,443.65	79.66	3 rd	6 th
Paraúna	131	8,435.03	64.39	4 th	3 rd
Morrinhos	157	7,979.68	50.83	5 th	2 nd
Luziânia	106	7,757.51	73.18	6 th	7 th
Rio Verde	79	7,489.36	94.80	7 th	9 th
Campo Alegre de Goiás	110	7,404.65	67.31	8 th	5 th
Ipameri	59	5,676.49	96.21	9 th	15 th
Catalão	68	5,490.66	80.75	10 th	11 th
Itaberaí	95	4,916.89	51.76	11 th	8 th
Cabeceiras	61	4,664.57	76.47	12 th	14 th
Goiatuba	63	4,482.19	71.15	13 th	13 th
Vicentinópolis	71	3,671.18	51.71	14 th	10 th
Palmeiras de Goiás	66	3,400.94	51.53	15 th	12 th
Silvânia	47	3,280.93	69.81	16 th	16 th
Santa Fé de Goiás	25	2,984.14	119.37	17 th	28 th
Pontalina	47	2,854.59	60.74	18 th	17 th
Bom Jesus de Goiás	34	2,798.84	82.32	19 th	20 th
Turvelândia	27	2,737.60	101.39	20 th	24 th
Formosa	34	2,558.38	75.25	21 th	21 th
Santa Helena de Goiás	24	2,251.65	93.82	22 th	29 th
Acreúna	28	2,234.98	79.82	23 th	23 th
Niquelândia	22	2,198.38	99.93	24 th	32 th
Britânia	21	2,120.24	100.96	25 th	33 th
Demais municípios	983	65,677.54		-	-

Source: IMB/ Management Cartography and GIS / SEMARH / SRH

Compiled by: IMB / SEGPLAN-GO / Department of Systematization and Dissemination of Socioeconomic Information – 2018.

6 – CATTLE RAISING

STATE OF GOIÁS, Midwest and Brazil: Main livestock and milk production – 2000 – 2017.

Product	Goiás		Midwest		Brazil		Ranking Goiás/Brazil	
	2000	2017	2000	2017	2000	2017	2000	2017
Cattle (heads)	18,399,222	22,835,005	59,641,301	74,128,217	169,875,524	214,899,796	4 th	2 nd
Pigs (heads)	1,174,360	2,053,065	2,801,698	6,217,877	31,562,111	41,099,460	10 th	6 th
Poultry (heads)	26,444,415	77,058,576	67,139,531	173,331,832	848,515,354	1,441,173,925	7 th	6 th
Milch cows (heads)	2,006,038	1,984,981	2,876,586	2,744,643	17,885,019	17,060,117	2 nd	2 nd
Milk production (1,000 l)	2,193,799	2,989,833	3,080,121	3,989,151	19,767,206	33,490,810	2 nd	4 th

Source: IBGE.

Compiled by: IMB / SEGPLAN-GO / Department of Systematization and Dissemination of Socioeconomic Information – 2018.

STATE OF GOIÁS: Main livestock and milk production – 2007 – 17 (heads).

Year	Cattle	Pigs	Poultry	Milch cows	Milk production (1,000 l)
2007	20,471,490	1,537,430	44,415,670	2,286,190	2,638,568
2008	20,466,360	1,592,760	47,750,990	2,363,068	2,873,541
2009	20,874,943	1,929,062	53,717,123	2,441,165	3,003,182
2010	21,347,881	2,046,727	55,156,362	2,479,869	3,193,731
2011	21,744,650	2,049,376	61,179,904	2,615,611	3,482,041
2012	22,045,776	2,016,444	59,653,837	2,692,841	3,546,329
2013	21,580,398	2,060,360	61,267,358	2,723,594	3,776,803
2014	21,538,072	2,016,940	70,119,312	2,658,373	3,684,341
2015	21,887,720	2,033,914	64,604,285	2,544,301	3,518,057
2016	22,879,411	1,988,478	69,071,040	2,237,872	2,933,441
2017	22,835,005	2,053,065	77,058,576	1,984,981	2,989,833

Source: IBGE.

Compiled by: IMB / SEGPLAN-GO / Department of Systematization and Dissemination of Socioeconomic Information – 2018.

STATE OF GOIÁS and Brazil: Slaughter of cattle, pigs and poultry – 2012 – 18 (herds).

Year	Goiás			Brazil		
	Cattle	Pigs	Poultry	Cattle	Pigs	Poultry
2012	2,922,751	2,012,543	322,285,423	31,117,549	35,979,434	5,242,665,514
2013	3,466,231	1,877,029	339,633,927	34,412,070	36,065,562	5,613,069,258
2014	3,409,851	1,742,707	335,992,507	33,904,793	37,118,766	5,495,440,286
2015	3,060,939	1,765,662	373,965,280	30,642,297	39,263,336	5,794,543,718
2016	2,821,463	1,830,677	358,405,299	29,668,976	42,315,933	5,860,316,609
2017	3,179,805	1,760,903	378,602,112	30,829,652	43,185,385	5,841,779,189
2018	1,593,136	875,865	185,888,268	15,454,003	21,536,949	2,855,380,584

Compiled by: IMB / SEGPLAN-GO / Department of Systematization and Dissemination of Socioeconomic Information – 2018.

Note: Data are from slaughterhouses under federal, state or municipal sanitary inspection.

2018: January to June.

STATE OF GOIÁS: Livestock of cattle, pigs and poultry per microregion – 2017.

Microregion	Cattle			Pigs			Poultry		
	Heads	Share (%)	Ranking	Heads	Share (%)	Ranking	Heads	Share (%)	Ranking
001 - São Miguel do Araguaia	2,117,015	9.27	2 nd	25,700	1.25	15 th	162,325	0.21	16 th
002 - Rio Vermelho	1,901,154	8.33	4 th	37,700	1.84	13 th	1,165,600	1.51	10 th
003 - Aragarças	860,895	3.77	11 th	20,250	0.99	16 th	119,000	0.15	18 th
004 - Porangatu	2,143,623	9.39	3 rd	61,600	3.00	10 th	475,700	0.62	13 th
005 - Chapada dos Veadeiros	484,996	2.12	18 th	14,555	0.71	18 th	456,152	0.59	14 th
006 - Ceres	1,257,726	5.51	8 th	63,430	3.09	8 th	756,839	0.98	11 th
007 - Anápolis	1,023,830	4.48	10 th	89,572	4.36	4 th	10,685,560	13.87	4 th
008 - Iporá	777,774	3.41	15 th	23,380	1.14	14 th	139,480	0.18	17 th
009 - Anicuns	829,207	3.63	14 th	68,740	3.35	7 th	1,842,840	2.39	8 th
010 - Goiânia	679,151	2.97	17 th	78,020	3.80	5 th	5,317,764	6.90	5 th
011 - Vão do Paranã	918,162	4.02	13 th	19,160	0.93	17 th	273,495	0.35	15 th
012 - Entorno de Brasília	1,565,206	6.85	6 th	97,230	4.74	2 nd	4,189,458	5.44	7 th
013 - Sudoeste de Goiás	2,617,720	11.46	1 st	1,109,770	54.05	1 st	20,164,700	26.17	1 st
014 - Vale do Rio dos Bois	988,107	4.33	9 th	96,905	4.72	3 rd	1,224,140	1.59	9 th
015 - Meia Ponte	1,588,012	6.95	5 th	72,375	3.53	6 th	11,383,285	14.77	3 rd
016 - Pires do Rio	743,530	3.26	16 th	55,800	2.72	9 th	13,930,030	18.08	2 nd
017 - Catalão	895,310	3.92	12 th	48,940	2.38	11 th	4,271,800	5.54	6 th
018 - Quirinópolis	1,443,587	6.32	7 th	69,938	3.41	12 th	500,408	0.65	12 th
STATE OF GOIÁS	22,835,005	100.00		2,053,065	100.00		77,058,576	100.00	

Source: IBGE.

Compiled by: IMB / SEGPLAN-GO / Department of Systematization and Dissemination of Socioeconomic Information – 2018.

GOIÁS RANKING IN THE BRAZILIAN MARKET					
Atividade	Production (t)			Participation(%)	Ranking
	Brazil	Goiás	Product		
Agriculture aug/2018	2.104.936	978.870	Sorghum	46,50	1°
	4.362.804	1.368.567	Tomato	31,37	1°
	81.018.745	8.691.532	Corn	10,73	3° (MT, PR)
	686.752.550	76.082.607	Sugar cane	11,08	2° (SP)
	116.768.024	11.369.134	Soy bean	9,74	4° (MT, RS, PR)
	3.250.048	325.100	Bean	10,00	5° (PR, MG, SP, MT)
	4.785.086	100.802	Cotton	2,11	4° (MT, BA, MS)
229.236.155	21.642.789	Grain Production	9,44	4° (MT, PR, RS)	
Livestock 2017	17.060.117	1.984.981	Dairy Cows (cab)	11,64	2° (MG)
	214.899.796	22.835.005	Cattle (cab)	10,63	2° (MT)
	33.490.810	2.989.833	Milk Production (1,000 l)	8,93	4° (MG, RS, PR)
	41.099.460	2.053.065	Pigs (cab)	5,00	6° (SC, PR, RS, MG, MT)
	1.441.173.925	77.058.576	Birds (cab)	5,35	6° (PR, SP, RS, SC, MG)
Mining 2015	232.052	232.052	Asbestos	100,00	1°
	55.378	52.166	Vermiculite	94,20	1°
	182.854	48.800	Nickel	26,69	1°
	6.100.000	2.316.566	Fosphate	37,98	2° (MG)
	350.940	63.985	Copper	18,23	2° (PA)
	80.465	12.740	Niobium	15,83	2° (MG)
85.000	6.605	Gold	7,77	2° (MG, PR)	

Preparation: IMB / SEGPLAN-GO / Department of Systematization and Dissemination of Socioeconomic Information – 2018.

7 – INDUSTRY

STATE OF GOIÁS: Industrial business registered at the State Treasury Secretary according to type and size- Position: August/2018.

Specification	Total	Micro/Small	Medium	Big	Not informed
Construction, mining and machinery	6,024	3,955	169	56	1,844
Alcohol and sugar	100	34	8	44	14
Food	3,972	2,344	67	11	1,550
Drinks	188	96	15	21	56
Biofuels (except ethanol)	4	1	0	3	0
Footwear	995	638	7	7	343
Meat	439	180	58	33	168
Fuel derived from oil and coke	46	17	8	17	4
Tobacco	21	11	0	0	10
Dairy	361	194	41	30	96
Lubrificantes	1	1	0	0	0
Medicines and hospital products	131	50	24	16	41
Furniture, electronics, cinefoto, sound and cooling	2,700	1,728	33	6	933
Vehicles and parts	607	428	15	11	153
Clothing	9,673	6,666	55	11	2,941
The agribusiness industry	1,201	576	121	106	398
Generating electricity	82	31	20	16	15
Chemicals, prod, hygiene and cleaning, stationery, packaging and other	2,993	1,841	98	16	1,038
Transmitting electrical energy	30	22	1	1	6
Total	29,568	18,813	740	405	9,610

Source: State Treasury Secretary.

Compiled by: IMB / SEGPLAN-GO / Department of Systematization and Dissemination of Socioeconomic Information – 2018.

Note: Gross annual income:

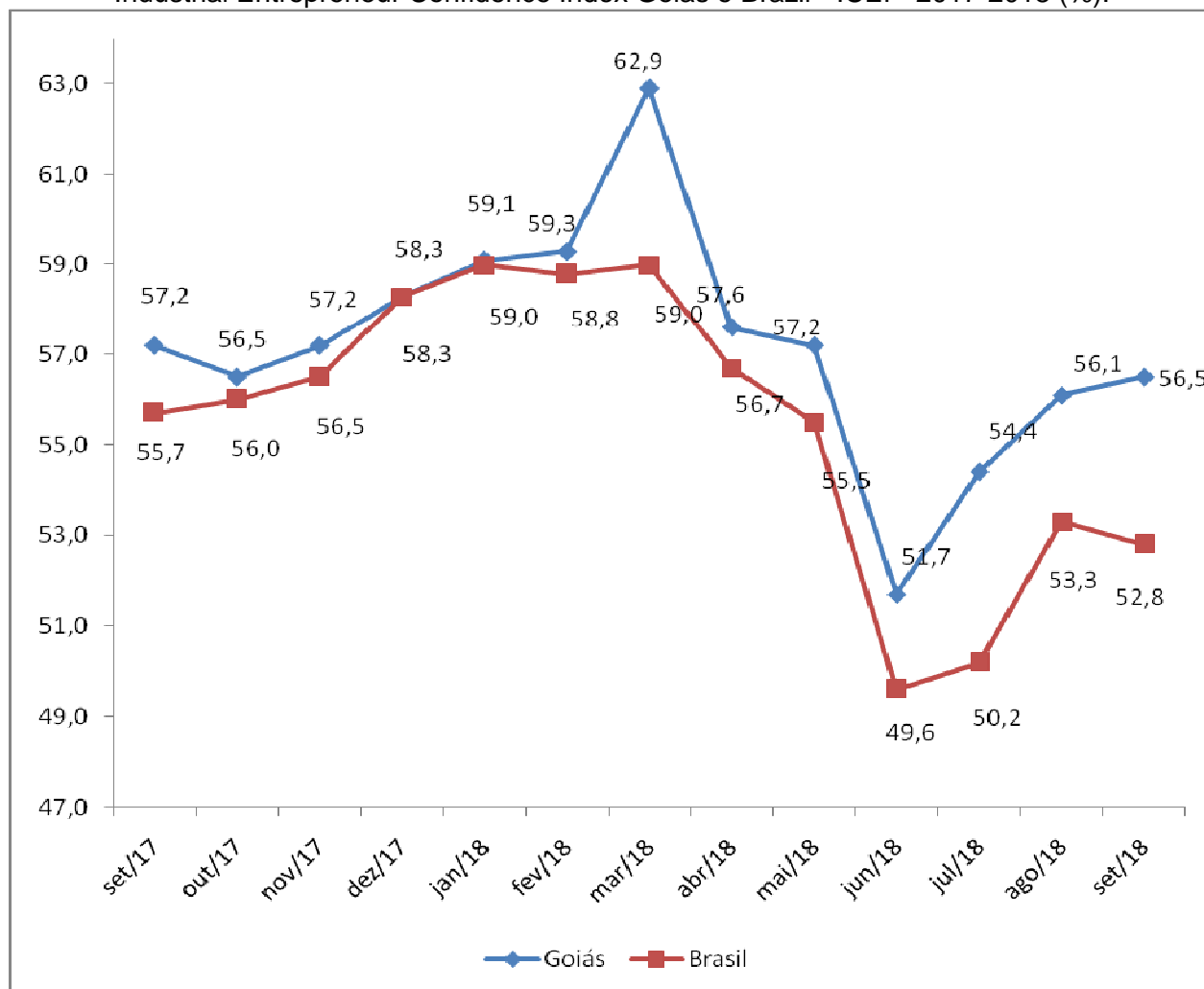
Micro / small: Equal R\$ 240,000,00 and less than R\$ 1,800,000,00

Medium: More than R\$ 1,800,000,00 and less than R\$ 36,000,000,00

Big: Equal or more than R\$ 36,000,000,00

Not informed: Establishment without gross income information

Industrial Entrepreneur Confidence Index Goiás e Brazil - ICEI - 2017-2018 (%).



Source: FIEG / DEC.

Compiled by: IMB / SEGPLAN-GO / Department of Systematization and Dissemination of Socioeconomic Information - 2018.

Note: Indicators range from 0 to 100. Values above 50 indicate confident entrepreneurs

STATE OF GOIAS and Brazil: Physical-Industrial Production – 2017 e 2018.

Specification	Variation rate (%)												
	2017				2018								
	Sep	Oct	Nov	Dec	Jan	Feb	Mar	Apr	May	Jun	Jul	Aug	Accumulated in the year
Goiás	7.3	10.9	17.0	4.0	1.6	-2.3	-2.8	4.9	-14.9	-1.8	-4.1	-4.1	-3.6
Brazil	2.7	5.5	4.7	4.3	5.9	2.0	1.1	9.1	-6.4	3.4	4.2	2.0	2.5

Source: IBGE.

Compiled by: IMB / SEGPLAN-GO / Department of Systematization and Dissemination of Socioeconomic Information – 2018.

Preliminary

Baseline value: same month of the previous year = 100

STATE OF GOIAS: Destilleries - October/2018.

Municipality	Distillery	Situation
Anicuns	Anicuns S/A Álcool e Derivados	Operation
Aporé	Nardini Agroindustrial Ltda	Expected production
Cachoeira Dourada	SJC - Bioenergia S/A - Usina Cachoeira Dourada	Operation
Caçu	Rio Claro Agroindustrial S/A - Odebrechet Agroindustrial	Operation
Carmo do Rio Verde	CRV Industrial Ltda	Operation
Chapadão do Céu	Cerradinho Bioenergia S/A	Operation
Edéia	BP Bioenergia Tropical S/A	Operation
Goianésia	Jalles Machado S/A	Operation
	Jalles Machado S/A - Unidade Otávio Lage	Operation
	Usina Goianésia S/A	Operation
Goiatuba	Bom Sucesso Agroindústria Ltda	Operation
	Goiasa - Goiatuba Álcool Ltda	Operation
Inhumas	Centroálcool S/A - CENASA	Operation
Ipameri	LASA Lago Azul S/A	Operation
Itapaci	Vale Verde Empreendimentos Agrícolas Ltda	Operation
Itapuranga	Vale Verde Empreendimentos Agrícolas Ltda	Suspended operation
Itumbiara	BP Bioenergia Itumbiara Ltda	Operation
	Usina Panorama S/A	Operation
Jandaia	Denusa–Destilaria Nova União S/A	Operation
Jataí	RAIZEN Centrooeste Açúcar e Álcool Ltda	Operation
Mineiros	Brenco –Usina Morro Vermelho -Odebrechet Agroindustrial	Operation
Montes Claros de Goiás	EBER Bioenergia e Agricultura Ltda	Operation
Morrinhos	CEM - Central Energética Morrinhos S/A	Operation
Paraúna	Usina Nova Gália Ltda	Operation
Perolandia	Brenco –Usina Perolândia -Odebrechet Agroindustrial)	Operation
Porteirão	Usina São Paulo Energia e Etanol S/A	Suspended operation
Quirinópolis	SJC Bioenergia S/A - Usina São Francisco	Operation
	Usina Boa Vista S/A	Operation
Rio Verde	Usina Rio Verde Ltda (Decal)	Operation
Rubiataba	Cooperativa Agroindustrial de Rubiataba Ltda	Operation
Santa Helena de Goiás	Usina Santa Helena Açúcar e Álcool	Operation
	Cambui Açúcar e Álcool Ltda	Operation
Santo Antônio da Barra	Floresta S/A Açúcar e Álcool	Operation
São Simão	Energética São Simão S/A	Operation
Serranópolis	Energética Serranópolis Ltda	Operation
Turvelândia	Vale do VerdãoS/A Açúcar e Álcool	Operation
Uruaçu	Uruaçu Açúcar e Álcool Ltda	Operation
Vicentinópolis	Caçu Com Ind Açúcar e Álcool Ltda	Operation
Vila Boa	CBB – Companhia Bioenergética Brasileira	Operation

Fonte: SIFAEG.

Compiled by: IMB / SEGPLAN-GO / Department of Systematization and Dissemination of Socioeconomic Information – 2018.
Summary: 36 Operation, 1 Expected production , 2 Suspended operation

**STATE OF GOIAS: Destilleries in operation, production of sugar cane, ethanol and sugar - 2010
- 17.**

Year	Destillery	Production		
		Sugar cane (t)	Ethanol (thousand liters)	Sugar (t)
2010	36	48,000,163	2,895,249	1,798,391
2011	34	54,903,085	2,675,292	1,752,398
2012	37	58,348,797	3,130,577	1,875,260
2013	37	69,307,411	3,887,830	1,890,648
2014	37	69,377,930	4,226,854	1,997,114
2015	37	72,066,835	4,688,841	1,892,230
2016	35	71,061,922	4,384,455	2,101,731
2017	36	71,387,519	4,618,388	2,234,592

Source: SIFAEG for ethanol and sugar and IBGE for sugarcane.

Compiled by: IMB / SEGPLAN-GO / Department of Systematization and Dissemination of Socioeconomic Information – 2018.

8 – TRADE AND SERVICES

Brazil, Midwest, STATE OF GOIÁS and largest cities: Local units of companies and total working staff in 12/31 – 2014 – 16.

Specification	Number of local units			Total working staff		
	2014	2015	2016	2014	2015	2016
Brazil	5,589,526	5,603,592	5,542,008	55,263,992	53,541,695	51,411,199
Midwest	436,291	442,263	441,278	4,618,135	4,474,227	4,389,948
STATE OF GOIÁS	175,579	179,491	178,768	1,646,924	1,623,217	1,565,956
Goiânia	61,265	62,929	62,655	678,744	668,262	652,958
Aparecida de Goiânia	9,390	9,841	9,726	130,670	119,910	114,819
Anápolis	10,015	9,914	9,965	109,278	107,526	101,897
Rio Verde	5,764	5,910	5,961	57,534	57,307	56,116
Itumbiara	3,725	3,657	3,836	31,629	31,748	31,152
Catalão	3,612	3,543	3,409	29,679	28,512	26,421
Caldas Novas	3,551	3,553	3,694	25,508	26,620	26,198
Luziânia	3,420	3,270	3,220	25,408	25,028	23,514
Jataí	2,713	2,676	2,715	20,997	21,296	19,500
Valparaíso de Goiás	2,338	2,374	2,411	18,974	18,290	18,591
Senador Canedo	1,481	1,531	1,524	18,709	18,251	18,481
Goianésia	1,675	1,732	1,761	17,625	16,133	16,647
Mineiros	2,585	2,601	2,624	16,491	16,017	16,491
Formosa	1,779	1,880	1,869	16,165	15,976	14,933

Source: IBGE / Companies Central Registration.

Compiled by: IMB / SEGPLAN-GO / Department of Systematization and Dissemination of Socioeconomic Information – 2018.

STATE OF GOIÁS: Opening of established companies, according to legal status – 2008 – 18.

Year	Total	Individual	Joint-Stock	Limited	Cooperative	Individual limited liability company	Individual microentrepreneur	Others
2008	23,252	9,904	60	13,225	48	-	-	15
2009	25,654	11,972	32	13,590	51	-	-	9
2010	23,716	9,978	55	13,616	45	-	-	22
2011	23,896	10,041	47	13,753	40	-	-	15
2012	28,163	8,309	53	12,241	30	1,697	5,810	23
2013	22,961	7,460	64	11,666	56	3,683	-	32
2014	20,004	5,597	39	9,334	42	4,991	-	1
2015	18,688	4,973	44	7,857	24	5,788	-	2
2016	17,909	4,284	40	6,840	35	6,706	-	4
2017	20,018	4,854	45	6,937	32	8,145	-	5
2018	14,390	3,404	30	4,913	20	6,015	-	8

Source: Commercial Union of the State of Goiás.

Compiled by: IMB / SEGPLAN-GO / Department of Systematization and Dissemination of Socioeconomic Information – 2018.
2018: January to august.

STATE OF GOIÁS: Closing of established companies, according to legal status – 2008 – 18.

Year	Total	Individual	Joint-Stock	Limited	Cooperative	Individual limited liability company	Individual microentrepreneur	Others
2008	7,283	4,249	5	3,021	5	-	-	3
2009	8,903	4,914	1	3,982	5	-	-	1
2010	10,538	5,996	4	4,529	6	-	-	3
2011	9,905	6,068	-	3,831	5	-	-	1
2012	9,116	5,569	-	3,523	5	18	(*)	1
2013	9,057	5,248	4	3,699	4	99	-	3
2014	6,997	3,125	6	3,632	2	231	-	1
2015	8,214	3,355	9	4,321	2	527	-	-
2016	11,040	4,033	6	6,006	4	991	-	-
2017	12,254	4,373	5	6,418	4	1,451	-	3
2018	8,622	3,121	1	4,214	4	1,274	-	8

Source: Commercial Union of the State of Goiás.

Compiled by: IMB / SEGPLAN-GO / Department of Systematization and Dissemination of Socioeconomic Information – 2018.

(*) – It is with the individual company.

2018: January to august.

STATE OF GOIÁS: Checks issued – 2008 – 18.

Year	Checks (quantity - 1,000)			Checks (R\$ millions)		
	Paid	Returned	No cover	Paid	Returned	No cover
2008	49,677.9	4,019.1	3,580.2	40,249.0	4,199.2	3,586.0
2009	44,502.5	3,962.8	3,551.4	38,100.0	4,484.7	3,879.3
2010	41,924.7	3,227.7	2,830.8	41,017.3	4,147.4	3,487.6
2011	39,936.1	3,389.9	2,983.9	44,421.7	5,004.5	4,197.3
2012	34,830.5	3,185.1	2,786.7	42,811.9	5,271.8	4,393.0
2013	30,371.5	2,829.3	2,475.2	41,501.7	5,204.1	4,395.3
2014	28,529.7	2,639.6	2,234.2	43,117.7	5,508.6	4,416.5
2015	28,490.5	2,897.0	2,431.3	45,706.6	6,351.5	5,082.3
2016	25,152.6	2,665.4	2,219.1	41,821.3	6,143.9	4,750.7
2017	21,698.0	2,056.7	1,666.9	37,758.4	5,009.1	3,802.7
2018	13,519.6	1,302.5	1,040.7	27,219.5	3,54.,9	2,618.4

Source: Central Bank of Brazil.

Compiled by: IMB / SEGPLAN-GO / Department of Systematization and Dissemination of Socioeconomic Information – 2018.

2018: January to august.

STATE OF GOIÁS: Companies as per business activity and size, according to the number of employees – 2012 - 17.

Business Activity	Number of companies					
	2012	2013	2014	2015	2016	2017
Total	143,228	150,927	157,578	159,780	157,973	158,093
Micro	134,364	141,659	148,153	150,598	149,193	149,049
Small	7,274	7,636	7,798	7,584	7,294	7,471
Medium	1,316	1,337	1,334	1,299	1,214	1,289
Big	274	295	293	299	272	284
Farming	27,604	28,197	28,772	29,045	29,036	29,317
Micro	27,198	27,760	28,346	28,613	28,590	28,856
Small	344	370	360	368	380	398
Medium	55	59	58	56	58	55
Big	7	8	8	8	8	8
Industry	14,127	14,872	15,479	15,469	14,945	14,480
Micro	12,347	13,049	13,681	13,723	13,336	12,905
Small	1,465	1,498	1,476	1,427	1,314	1,265
Medium	245	247	236	235	219	233
Big	70	78	86	84	76	77
Civil Construction	7,336	7,981	8,280	7,530	6,668	6,261
Micro	6,494	7,108	7,429	6,887	6,089	5,693
Small	686	733	729	528	491	494
Medium	145	131	113	109	82	68
Big	11	9	9	6	6	6
Trade	53,356	56,121	58,452	59,130	58,255	57,913
Micro	51,183	53,903	56,150	56,944	56,194	55,833
Small	1,956	1,995	2,083	1,982	1,858	1,877
Medium	208	213	210	194	195	197
Big	9	10	9	10	8	6
Services	40,805	43,756	46,595	48,606	49,069	50,122
Micro	37,142	39,839	42,547	44,431	44,984	45,762
Small	2,823	3,040	3,150	3,279	3,251	3,437
Medium	663	687	717	705	660	736
Big	177	190	181	191	174	187

Source: Ministry of Labor and Employment / RAIS.

Compiled by: IMB / SEGPLAN-GO / Department of Systematization and Dissemination of Socioeconomic Information – 2018.

Note: Micro: up to 19 employees
 Small: from 20 to 99 employees
 Medium: from 100 to 499 employees
 Big: over 500 employees

9 – BALANCE OF TRADE

STATE OF GOIÁS and Brazil: Balance of Trade – 2008 – 18 (US\$ 1,000 FOB).

Year	Goiás			Brazil		
	Exports	Imports	Balance	Exports	Imports	Balance
2008	4,091,752	3,050,197	1,041,555	197,942,443	172,984,768	24,957,675
2009	3,614,964	2,852,690	762,273	152,994,742	127,722,343	25,272,399
2010	4,044,638	4,175,313	-130,674	201,915,276	181,768,427	20,146,848
2011	5,605,193	5,728,434	-123,241	256,039,366	226,246,756	29,792,610
2012	7,314,578	5,124,612	2,189,966	242,572,846	223,183,477	19,389,369
2013	7,042,674	4,840,052	2,202,662	242,033,575	239,747,516	2,286,059
2014	6,979,884	4,419,215	2,560,669	225,100,885	229,154,463	-4,053,578
2015	5,878,263	3,363,219	2,515,043	191,134,325	171,449,051	19,685,274
2016	5,930,087	2,641,535	3,288,552	185,235,401	137,552,003	47,683,398
2017	6,905,342	3,237,280	3,668,062	217,739,177	150,749,453	66,989,724
2018	5,236,409	2,365,329	2,871,079	158,903,794	121,226,837	37,676,956

Source: Department of Development, Industry and Foreign Trade.

Compiled by: IMB / SEGPLAN-GO / Department of Systematization and Dissemination of Socioeconomic Information – 2018.

Note: Data revised in december 2007, Preliminary

2018: January to august.

10 – POWER

STATE OF GOIÁS: Number of power consumers according to category – 2009 – 17.

Year	Total	Residence	Industry	Trade	Rural	Public Authority	Public Light	Public Service	Private
2009	2,242,143	1,838,563	10,620	211,394	163,099	15,604	587	1,951	325
2010	2,337,769	1,924,828	11,027	215,841	166,877	16,221	643	2,017	315
2011	2,438,243	2,016,123	11,183	220,574	170,604	16,719	648	2,091	301
2012	2,539,005	2,110,607	11,434	223,142	173,384	17,325	651	2,161	301
2013	2,647,721	2,214,307	11,338	223,587	177,535	17,784	640	2,241	289
2014	2,750,111	2,310,336	10,943	225,770	181,386	18,393	657	2,351	275
2015	2,838,425	2,396,462	10,573	226,398	183,807	17,843	656	2,417	269
2016	2,860,978	2,424,124	10,023	220,162	185,270	17,951	656	2,534	258
2017	2,774,138	2,356,793	9,677	213,815	173,994	16,699	656	2,251	257

Source: Central Eletric of Goiás / São Patricio Hydroelectrical Company.

Compiled by: IMB / SEGPLAN-GO / Department of Systematization and Dissemination of Socioeconomic Information – 2018.

2013 a 2017: Not included basic network.

Note: Consumers in 2017 is the average of 12 months

STATE OF GOIÁS: Power consumption according to category – 2009 – 17 (Mwh).

Year	Total	Residence	Industry	Trade	Rural	Public Authority	Public Light	Public Service	Private
2009	9,956,980	2,994,196	3,148,019	1,712,703	961,304	327,251	492,310	313,682	7,516
2010	10,871,505	3,297,525	3,354,745	1,866,995	1,142,199	354,406	511,782	336,469	7,383
2011	11,333,953	3,500,143	3,482,077	1,976,302	1,141,264	361,296	521,140	344,831	6,900
2012	12,157,442	3,806,250	3,727,884	2,124,258	1,216,253	383,020	534,322	359,152	6,302
2013	11,255,211	4,059,439	2,366,259	2,239,777	1,250,686	407,665	558,077	367,470	5,838
2014	12,765,142	4,334,301	3,363,526	2,355,657	1,311,238	436,759	574,745	382,444	6,472
2015	12,949,933	4,488,179	3,325,683	2,404,210	1,278,211	441,853	625,037	380,840	5,920
2016	12,976,752	4,469,853	3,255,789	2,329,251	1,406,788	440,766	674,421	394,416	5,468
2017	13,293,910	4,438,373	3,629,506	2,361,745	1,367,048	441,881	654,715	395,479	5,163

Source: Central Eletric of Goiás / São Patricio Hydroelectrical Company / SEINFRA.

Compiled by: IMB / SEGPLAN-GO / Department of Systematization and Dissemination of Socioeconomic Information – 2018.
2013 a 2017: Not included basic network

STATE OF GOIÁS: Energy Balance – 2007 – 16 (10³ TEP).

Year	Generated Energy			Energy Exported	Losses	Total Consumption
	Total	Hydraulic	Thermal			
2007	5,506	2,364	3,141	2,055	104	6,178
2008	6,009	2,092	3,916	1,952	117	7,203
2009	7,057	1,902	5,155	2,221	128	7,735
2010	8,595	2,408	6,187	2,987	128	8,859
2011	8,847	2,711	6,136	3,351	147	9,084
2012	10,051	3,304	6,748	4,141	161	9,848
2013	9,937	2,367	7,571	2,495	184	11,560
2014	10,281	2,239	8,041	3,484	191	11,286
2015	10,324	2,327	7,998	3,537	185	10,656
2016	10,193	2,003	8,191	3,047	185	10,360

Source: Infrastructure Secretariat of the State of Goiás / Telecommunications and Power Supervision.

Compiled by: IMB / SEGPLAN-GO / Department of Systematization and Dissemination of Socioeconomic Information – 2018.

11 - TRANSPORTATION

STATE OF GOIÁS: State Road Network - Position: November/2017 (Km).

Specification	Total (A+B+C+D+E)	Planned (A)	Construction in progress (B)	Unpaved network			EOP(D)	Paved network			
				Dirt road	IMP	Total (C)		PAV	EOD	Double track	Total (E)
Total state	21,369.7	1,215.8	-	6,322.0	599.9	6,921.9	1,254.0	11,282.7	90.6	604.6	11,978.0
State	20,731.6	1,203.8	-	6,322.0	599.9	6,921.9	1,207.4	10,746.0	90.6	561.9	11,398.5
Coincident state	725.7	-	-	53.2	22.8	76.0	14.8	537.9	20.8	76.2	634.9

Source: AGETOP.

Compiled by: IMB / SEGPLAN-GO / Department of Systematization and Dissemination of Socioeconomic Information – 2018.

STATE OF GOIÁS: Federal Highway Network - 2016 (Km).

Specification	Total	Planned	Unpaved network					Paved network			
			Dirt road	IMW	IMP	IPW	Subtotal	Single track	IDB	Double track	Subtotal
NRS network	6,314.7	2,661.6	100.7	-	-	151.5	252.2	2,590.3	44.8	765.8	3,400.9
NRS network -Federal under Administration DNIT (DUPx2 & IDBx1 ,5)	2,734.7	403.8	100.7	-	-	151.5	252.2	1,308.3	39.2	731.2	2,078.7
NRS network - Federal jurisdiction	2,356.0	403.8	100.7	-	-	151.5	252.2	1,308.3	26.1	365.6	1,700.0
NRS network – State coincident with planned federal	2,257.8	-	350.0	-	75.8	70.6	496.4	1,723.4	-	38.0	1,761.4

Source: DNIT.

Compiled by: IMB / SEGPLAN-GO / Department of Systematization and Dissemination of Socioeconomic Information – 2018.

GOIÂNIA: Boarding and Landing of passengers and freight at Goiânia airport – 2008 – 18.

Year	Passengers		Freight (tons)
	Boarding	Landing	
2008	774,885	780,300	5,430
2009	879,898	880,115	5,645
2010	1,175,007	1,173,641	5,097
2011	1,399,641	1,402,361	6,678
2012	1,541,037	1,537,796	6,469
2013	1,512,537	1,488,923	7,697
2014	1,685,901	1,677,291	5,599
2015	1,664,862	1,647,428	5,470
2016	1,521,242	1,495,556	4,735
2017	1,564,127	1,524,374	6,026
2018	1,092,917	1,060,610	5,610

Source: Brazilian Airport Infrastructure Company,

Compiled by: IMB / SEGPLAN-GO / Department of Systematization and Dissemination of Socioeconomic Information – 2018.

2018: January to august.

STATE OF GOIÁS and Goiânia: Amount of registered automotive vehicles per inhabitant – Pos: 11/05/2018.

Specification	Amount of Vehicles	Population (inhabitants)	Vehicles / 100 inhabitants
State of Goiás	3,903,364	6,921,161	56.40
Goiânia	1,207,696	1,495,705	80.74

Source: DETRAN-GO / IBGE,

Compiled by: IMB / SEGPLAN-GO / Department of Systematization and Dissemination of Socioeconomic Information – 2018.

População (inhabitants): Estimated in 07/01/2018

12 - EDUCATION

STATE OF GOIÁS: Number of schools, classrooms and teachers in full activity – 2014 – 17.

Type	Schools				Classrooms				Teachers in full activity (2)			
	2014	2015	2016	2017	2014	2015	2016	2017	2014	2015	2016	2017
Total	4,552	4,586	4,621	4,622	39,129	40,315	39,904	40,623	60,842	60,197	61,639	61,696
Federal	18	27	27	27	420	528	541	562	1,056	1,372	1,465	1,421
State	1,051	1,050	1,047	1,046	9,384	9,443	9,122	9,267	19,307	18,206	19,116	19,296
Municipal	2,383	2,407	2,429	2,453	17,684	18,021	17,835	18,783	29,351	29,293	29,435	29,804
Private	1,100	1,102	1,118	1,096	11,641	12,323	12,406	12,011	15,785	15,891	15,992	15,412

Source: Secretary of Education.

Compiled by: IMB / SEGPLAN-GO / Department of Systematization and Dissemination of Socioeconomic Information – 2018.

Schools: The same school can offer one or more level of education.

Teachers in full activity: The same teacher can teach at more than one school and/or level of education.

STATE OF GOIÁS: Registered students according to education level – 2008 – 17.

Year	Total students	Creche	Preschool	Elementary School	High School	Technical School (medium level)	Special	Youths & adults
2008	1,462,653	42,330	104,342	934,804	262,535	13,073	21,626	83,943
2009	1,455,475	43,293	107,471	930,630	265,945	15,561	16,963	75,612
2010	1,458,120	45,950	112,799	915,568	268,903	16,048	18,430	80,422
2011	1,434,363	49,334	117,144	897,686	262,713	16,564	21,412	69,510
2012	1,431,096	52,272	120,822	895,633	259,827	18,124	23,579	60,839
2013	1,430,561	56,225	126,989	882,172	258,243	20,008	23,985	62,939
2014	1,440,549	63,313	135,489	874,030	256,602	23,467	25,408	62,240
2015	1,440,298	68,923	137,912	887,009	256,201	39,908	26,858	58,732
2016	1,440,908	73,597	147,188	887,526	247,506	32,842	29,347	60,703
2017	1,432,261	78,653	152,702	877,890	225,538	26,633	33,348	79,417

Source: Ministry of Education / INEP / Secretary of Education.

Compiled by: IMB / SEGPLAN-GO / Department of Systematization and Dissemination of Socioeconomic Information – 2018.

STATE OF GOIÁS, Midwest and Brazil: Number of schools, registrations and teachers at university level – 2015 – 17.

Region	University Education								
	Schools			Registrations			Teachers		
	2015	2016	2017	2015	2016	2017	2015	2016	2017
Goiás	85	88	89	209,158	204,345	206,794	13,559	13,934	13,376
Midwest	235	240	240	617,317	606,523	607,357	36,479	37,469	36,843
Brazil	2,364	2,407	2,448	6,633,545	6,554,283	6,529,681	401,299	397,611	392,036

Source: Ministry of Education / Anísio Teixeira National Institute of Studies and Educational Researches,
Compiled by: IMB / SEGPLAN-GO / Department of Systematization and Dissemination of Socioeconomic Information – 2018.

STATE OF GOIÁS, Midwest and Brazil: Number of higher education institutions according to academic structure and location – 2015 – 17.

Specification	Institutions														
	Total			Universities			Academic Centers			Colleges			CEFET and IFET		
	2015	2016	2017	2015	2016	2017	2015	2016	2017	2015	2016	2017	2015	2016	2017
Goiás	85	88	89	4	4	4	4	4	5	75	78	78	2	2	2
Public	8	8	8	3	3	3	1	1	1	2	2	2	2	2	2
Federal	3	3	3	1	1	1	-	-	-	-	,	.	2	2	2
State	1	1	1	1	1	1	-	-	-	-	,	.	-	-	-
Municipal	4	4	4	1	1	1	1	1	1	2	2	2	-	-	-
Private	77	80	81	1	1	1	3	3	4	73	76	76	-	-	-
Midwest	235	240	240	14	14	14	14	15	16	202	206	205	5	5	5
Public	19	19	19	9	9	9	1	1	1	4	4	4	5	5	5
Federal	10	10	10	5	5	5	-	-	-	-	,	.	5	5	5
State	5	5	5	3	3	3	-	-	-	2	2	2	-	-	-
Municipal	4	4	4	1	1	1	1	1	1	2	2	2	-	-	-
Private	216	221	221	5	5	5	13	14	15	198	202	201	-	-	-
Brazil	2,364	2,407	2,448	195	197	199	149	166	189	1,98	2,004	2,020	40	40	40
Public	295	296	296	107	108	106	9	10	8	139	138	142	40	40	40
Federal	107	107	109	63	63	63	-	-	-	4	4	6	40	40	40
State	120	123	124	38	39	39	1	1	1	81	83	84	-	-	-
Municipal	68	66	63	6	6	4	8	9	7	54	51	52	-	-	-
Private	2,069	2,111	2,152	88	89	93	140	156	181	1,841	1,866	1,878	-	-	-

Source: Ministry of Education / Anísio Teixeira National Institute of Studies and Educational Researches.
Compiled by: IMB / SEGPLAN-GO / Department of Systematization and Dissemination of Socioeconomic Information – 2018.
CEFET and IFET – Federal Center of Technological Education and the Federal Office of Education, Science and Technology

STATE OF GOIÁS, Midwest and Brazil: Illiteracy rate of people of 15 years and over – 2013 – 17.

Region	Illiteracy rate of people of 15 years and over (%)				
	2013	2014	2015	2016	2017
Goiás	7.05	7.68	6.09	6.5	5.9
Midwest	6.51	6.45	5.69	5.7	5.2
Brazil	8.52	8.27	7.95	7.2	7.0

Source: IBGE / PNAD.

Compiled by: IMB / SEGPLAN-GO / Department of Systematization and Dissemination of Socioeconomic Information – 2018.
2016 e 2017: PNAD Contínua

STATE OF GOIÁS, Midwest and Brazil: Illiteracy rate of people of 10 years and over – 2011 – 15.

Region	Illiteracy rate of people of 10 years and over (%)				
	2011	2012	2013	2014	2015
Goiás	6.60	6.70	6.49	7.05	5.60
Midwest	5.78	6.13	5.98	5.93	5.24
Brazil	7.90	7.98	7.87	7.68	7.38

Source: IBGE / PNAD.

Compiled by: IMB / SEGPLAN-GO / Department of Systematization and Dissemination of Socioeconomic Information – 2018.

STATE OF GOIÁS: Illiteracy rate of people of 10 years and over, according to residence - 2011 – 15. (%)

Situation	Literate	Illiterate	Undefined
2011			
Total	93.40	6.60	-
Urban	93.67	6.33	-
Rural	90.29	9.71	-
2012			
Total	93.28	6.70	-
Urban	93.86	6.14	-
Rural	87.00	13.00	-
2013			
Total	93.51	6.49	-
Urban	93.88	6.14	-
Rural	89.54	10.46	-
2014			
Total	92.94	7.05	-
Urban	93.43	6.59	-
Rural	87.77	12.23	-
2015			
Total	94.40	5.60	-
Urban	94.74	5.28	-
Rural	90.81	9.19	-

Source: IBGE,

Compiled by: IMB / SEGPLAN-GO / Department of Systematization and Dissemination of Socioeconomic Information – 2018.

13 – PUBLIC SANITATION

STATE OF GOIÁS: Water Supply and Sewerage System – 2007 – 17.

Year	Water					Sewerage				
	Population serviced (thou inhab)	Population serviced (%)	Distribution System (thou m)	Volume (thou m ³ /year)		Population serviced (thou inhab)	Population serviced (%)	Distribution System (thou m)	Volume (thou m ³ /year)	
				Produced	Billed				Produced	Billed
2007	4,128	85	19,845	321,84	200,013	1,749	36	5,916	96,024	75,994
2008	4,33	86	20,345	320,951	205,115	1,872	37	6,242	99,188	77,961
2009	4,465	87	20,705	327,005	209,499	1,997	39	6,575	103,133	88,577
2010	4,602	90	21,444	346,664	228,252	2,015	39	6,731	111,788	97,199
2011	4,729	91	22,021	357,253	237,165	2,134	41	7,28	116,541	101,701
2012	4,887	94	22,796	368,737	252,179	2,298	44	9,202	125,483	109,475
2013	5,173	94	23,865	377,024	260,79	2,487	45	9,392	132,253	117,296
2014	5,292	95	24,330	389,359	269,842	2,718	49	9,545	140,494	125,201
2015	5,409	96	24,849	386,688	263,385	2,903	52	9,605	141,736	126,217
2016	5,484	97	27,543	384,618	263,268	3,108	55	10,065	144,803	131,274
2017	5,577	97	28,182	376,38	263,343	3,282	57	11,094	148,665	134,839

Source: Goiás Sanitation S/A.

Compiled by: IMB / SEGPLAN-GO / Department of Systematization and Dissemination of Socioeconomic Information – 2018.
2017: Position: december, The information regarding volume refer to the period of january to December.

STATE OF GOIÁS: Water pipe connections according to category – 2007 – 17.

Year	Total	Residence	Trade	Industry	Public	Social	Commercial 2
2007	1,248,696	1,063,381	46,498	12,348	18,007	87,989	20,473
2008	1,320,373	1,129,110	54,325	14,84	18,754	84,975	18,369
2009	1,391,219	1,180,013	64,791	18,383	19,887	86,611	21,534
2010	1,475,989	1,264,314	71,527	22,031	20,931	78,177	19,009
2011	1,570,974	1,355,424	78,425	24,97	22,041	72,671	17,443
2012	1,665,813	1,456,337	88,152	27,644	22,872	57,331	13,477
2013	1,761,328	1,545,762	95,867	29,43	23,664	54,766	11,839
2014	1,857,106	1,644,717	105,772	30,394	24,379	42,932	8,912
2015	1,941,424	1,730,601	113,254	30,397	25,017	34,407	7,748
2016	2,021,783	1,811,866	120,023	29,044	25,437	29,372	6,041
2017	2,092,033	1,879,613	127,171	28,717	24,56	26,506	5,466

Source: Goiás Sanitation S/A.

Compiled by: IMB / SEGPLAN-GO / Department of Systematization and Dissemination of Socioeconomic Information – 2018.
2017: Position: December.

STATE OF GOIÁS: Water pipe meters according to category – 2007 – 17.

Year	Total	Residence	Trade	Industry	Public	Social	Commercial 2
2007	1,436,354	1,208,823	65,639	13,411	21,756	90,984	35,741
2008	1,510,217	1,276,169	76,157	16,091	22,608	87,915	31,277
2009	1,583,901	1,334,857	81,788	19,820	22,866	90,103	34,467
2010	1,666,581	1,417,914	89,396	23,698	23,878	81,185	30,510
2011	1,762,883	1,510,113	97,550	26,951	24,976	75,438	27,855
2012	1,862,084	1,615,279	109,528	29,657	25,931	59,675	22,014
2013	1,959,395	1,706,230	118,130	31,825	26,787	57,006	19,417
2014	2,062,286	1,812,019	130,549	32,686	27,632	44,562	14,838
2015	2,146,901	1,898,420	138,974	32,528	28,330	35,850	12,799
2016	2,227,925	1,981,380	144,591	30,836	28,815	30,669	9,634
2017	2,297,136	2,047,937	154,474	30,435	27,945	27,727	8,614

Source: Goiás Sanitation S/A.

Compiled by: IMB / SEGPLAN-GO / Department of Systematization and Dissemination of Socioeconomic Information – 2018.

2017: Position: December.

14 – PUBLIC HEALTH

STATE OF GOIÁS, Midwest and Brazil: Beds, Registered establishments and Health professional – Position: August/2018.

Especification	Registered Establishments	Health professional	Beds		
			Total	SUS	Not SUS
Goiás	10,144	84,599	19,489	11,889	7,600
Midwest	24,016	229,231	42,095	26,108	15,987
Brazil	325,505	2,852,992	495,862	331,767	164,095

Source: Ministry of Health.

Compiled by: IMB / SEGPLAN-GO / Department of Systematization and Dissemination of Socioeconomic Information – 2018.

Beds: Hospital beds plus additional ICU beds

15 – SOCIAL INDICES

STATE OF GOIÁS, Midwest and Brazil: Total fertility rate, gross birthrate, infant mortality rate and life expectancy at birth – 2000 and 2017.

Region	Total fertility rate		Gross birthrate		Infant mortality rate		Life expectancy at birth	
	2000	2017	2000	2017	2000	2017	2000	2017
Goiás	2.20	1.57	21.40	13.20	23.90	14.52	71.4	74.3
Midwest	2.30	1.65	21.50	14.03	23.30	13.99	71.8	75.3
Brazil	2.40	1.67	21.40	13.59	30.10	12.81	70.4	76.0

Source: IBGE.

Compiled by: IMB / SEGPLAN-GO / Department of Systematization and Dissemination of Socioeconomic Information – 2018.

Total fertility rate: Average number of live-born children per woman

Gross birthrate: Number of live-born children per 1,000 inhabitants

Infant mortality rate: Number of deceased per 1,000 live-born infants

STATE OF GOIÁS and Brazil: Municipal Human Development Index -1991, 2000 and 2015.

Especificação	IDH-M			IDH-M Longevity			IDH-M Education			IDH-M Income			Ranking		
	1991	2000	2015	1991	2000	2015	1991	2000	2015	1991	2000	2015	1991	2000	2015
Goiás	0.487	0.615	0.756	0.668	0.773	0.817	0.278	0.439	0.724	0.633	0.686	0.728	9º	9º	10º
Brazil	0.492	0.612	0.761	0.662	0.727	0.841	0.278	0.456	0.713	0.647	0.692	0.729	-	-	-

Fonte: PNUD / IPEA / FJP / IBGE.

Compiled by: IMB / SEGPLAN-GO / Department of Systematization and Dissemination of Socioeconomic Information – 2018.

Note: There was a change in the methodology for calculating the IDHM compared to previous publication, Values IDHM 1999 and 2000 have been recalculated based on the new methodology, Therefore comparisons between indicators and analysis should be made only within the platform Atlas Brazil 2013.

Classification according IDH: Very high (above de 0,800)

High (0,700 to 0,799)

Medium (0,600 to 0,699)

Low (0,500 to 0,599)

Very low (0 to 0,500)

16 - EMPLOYMENT

STATE OF GOIÁS, Midwest and Brazil: Variation of the employment level – 2016 – 18.

Region	2016			2017			2018		
	Admissions	Dismissals	Balance	Admissions	Dismissals	Balance	Admissions	Dismissals	Balance
Goiás	557,337	576,691	-19,354	577,658	552,288	25,37	412,951	370,126	42,825
Midwest	1,406,160	1,473,470	-67,31	1,438,977	1,402,154	36,823	1,043,861	943,726	100,135
Brazil	14,738,646	16,060,640	1,321,994	14,635,899	14,656,731	-20,832	10,535,728	9,967,177	568,551

Source: Ministry of Labor and Employment.

Compiled by: IMB / SEGPLAN-GO / Department of Systematization and Dissemination of Socioeconomic Information – 2018.
2018: January to august.

STATE OF GOIÁS: Balance of the variation of employment level according to the economic activity, as per municipality - 2017 – 2018.

Economic Activity	Estado de Goiás		Anápolis		Aparecida de Goiânia		Goiânia		Rio Verde	
	Balance(jan-aug)		Balance(jan-aug)		Balance(jan-aug)		Balance(jan-aug)		Balance(jan-aug)	
	2017	2018	2017	2018	2017	2018	2017	2018	2017	2018
Extractive/ Mineral	430	391	-6	-2	-4	-13	0	2	7	0
Manufacture Ind,	14,245	9,928	349	441	465	-101	605	751	607	276
Public utilities	313	-466	-95	4	70	20	-35	-479	284	-11
Civil Construction	5,513	5,822	113	126	1,089	771	2,563	2,285	-60	105
Trade	2,571	2,098	-151	118	368	183	234	551	-49	218
Services	13,244	13,362	885	799	1,150	677	3,294	4,071	764	398
Public Administr,	-133	-19	-2	0	0	4	12	-33	0	0
Farming	11,747	11,709	-5	-5	21	26	-2	-103	312	271
Total	47,930	42,825	1,088	1,481	3,159	1,567	6,671	7,045	1,865	1,257

Source: Ministry of Labor and Employment.

Compiled by: IMB / SEGPLAN-GO / Department of Systematization and Dissemination of Socioeconomic Information – 2018.

Note: Variation of employment level

Balance indicates the difference between admissions and dismissals during a fixed period of time

STATE OF GOIÁS, Midwest and Brazil: Number of formal jobs and average pay – 2014 -17.

Region	Formal Jobs (thousand)				Average pay (R\$)			
	2014	2015	2016	2017	2014	2015	2016	2017
Goiás	1,514	1,501	1,446	1,515	2,039.90	2,186.88	2,397.96	2,466.59
Midwest	4,294	4,212	4,102	4,202	2,762.27	3,027.99	3,283.70	3,363.88
Brazil	49,571	48,061	46,060	46,282	2,352.42	2,541.18	2,731.61	2,850.41

Source: Ministry of Labor and Employment,/ RAIS.

Compiled by: IMB / SEGPLAN-GO / Department of Systematization and Dissemination of Socioeconomic Information – 2018.
Note: There was an error in RAIS in the year 2012 in the city of Alexânia-GO, Microregion Surrounding the DF, specifically in the activity of Repair and Maintenance of Motor Vehicles, Thus the municipality were subtracted 10,724 jobs for correction,

STATE OF GOIÁS: Number of formal jobs – 2014 – 17.

Economic Activity	2014	2015	2016	2017	Absolute Change 2017/2016	Variation (%) 2017/2016
Extractive/ Mineral	8,595	8,811	7,947	7,347	-600	-7.55
Manufacture Ind,	251,031	238,04	224,819	229,114	4,295	1.91
Public utilities	12,285	12,452	12,637	12,220	-417	-3.30
Civil Construction	77,684	66,594	56,146	56,955	809	1.44
Trade	303,64	300,08	288,821	289,457	636	0.22
Services	448,603	451,878	443,97	463,524	19,554	4.40
Public Administr,	322,157	330,608	316,201	361,060	44,859	14.19
Farming	90,537	92,934	95,402	95,745	343	0.36
Total	1,514,532	1,501,397	1,445,943	1,515,422	69,479	4.81

Source: Ministry of Labor and Employment.

Compiled by: IMB / SEGPLAN-GO / Department of Systematization and Dissemination of Socioeconomic Information – 2018.

Note: There was an error in RAIS in the year 2012 in the city of Alexânia-GO, Microregion Surrounding the DF, specifically in the activity of Repair and Maintenance of Motor Vehicles, Thus the municipality were subtracted 10,724 jobs for correction.

STATE OF GOIÁS, Midwest and Brazil: Gini index of all jobs of persons aged 15 years and over, employed in reference week - 2013 – 16.

Region	2013	2014	2015	2016
Goiás	0.458	0.433	0.421	0.457
Midwest	0.505	0.487	0.481	0.512
Brazil	0.495	0.490	0.485	0.525

Source: IBGE.

Compiled by: IMB / SEGPLAN-GO / Department of Systematization and Dissemination of Socioeconomic Information – 2018.

The data for 2016 are from PNADC.

Note: Measures the degree of concentration of distribution, whose value varies from zero (perfectly equal) to one (maximum inequality).

STATE OF GOIÁS, Midwest and Brazil: Economically Active Population (PEA) – 2005– 15.

(thou inhabitants)

Year	Goiás	Midwest	Brazil	Share (%)	
				Goiás / Midwest	Goiás / Brazil
2005	2,971	7,025	95,747	42.29	3.10
2006	3,015	7,094	96,89	42.50	3.11
2007	3,173	7,381	97,875	42.99	3.24
2008	3,251	7,568	99,479	42.96	3.27
2009	3,357	7,752	101,073	43.30	3.32
2010	3,158	7,365	93,505	42.88	3.38
2011	3,313	7,786	100,223	42.55	3.31
2012	3,347	7,875	100,979	42.50	3.31
2013	3,433	7,979	103,401	43.03	3.32
2014	3,515	8,304	106,824	42.33	3.29
2015	3,557	8,234	105,519	42.94	3.37

Source: IBGE.

Compiled by: IMB / SEGPLAN-GO / Department of Systematization and Dissemination of Socioeconomic Information – 2018.

For 2010 Census, Intercenso PNAD.

Note: The data in this table were reweighted by the 2008 revision of population projections, by IBGE, including the trend from 2000 to 2010.

STATE OF GOIÁS, Midwest and Brazil: Persons 16 years of age or over, employed in reference week - 2012 – 16.

Year	Goiás	Midwest	Brazil
2012	3,039	6,946	88,821
2013	3,110	7,226	90,432
2014	3,180	7,280	91,758
2015	3,166	7,340	91,998
2016	3,122	7,310	90,792

Source: IBGE/PNADC, consolidation of first interviews.

Compiled by: IMB / SEGPLAN-GO / Department of Systematization and Dissemination of Socioeconomic Information – 2018.

Note: For the classification of formal or informal jobs, the definition of the International Labor Organization - ILO (PROFILE ,,,, 2009) was used.

Includes employee with a signed work permit, domestic worker with a signed work permit, military, statutory civil servant, own account and employer who contributed to social security.

STATE OF GOIÁS, Midwest and Brazil: Average work income of persons aged 16 years and over, employed in the reference week, by sex and color or race - 2012 – 16.

Year	Average working income of persons aged 16 years and over, employed in the reference week (R \$)				
	Total	Sex		Color or Race	
		Men	Women	White	Black and Brown
Goiás					
2012	1,925	2,235	1,485	2,38	1,654
2013	1,959	2,283	1,501	2,372	1,713
2014	2,051	2,31	1,68	2,38	1,827
2015	1,943	2,217	1,546	2,308	1,713
2016	1,864	2,067	1,578	2,344	1,594
Midwest					
2012	2,286	2,566	1,891	2,942	1,843
2013	2,317	2,647	1,864	2,92	1,914
2014	2,391	2,678	1,989	2,935	2,017
2015	2,29	2,577	1,892	2,84	1,925
2016	2,231	2,478	1,897	2,906	1,821
Brazil					
2012	1,945	2,188	1,605	2,471	1,422
2013	2,011	2,265	1,661	2,549	1,478
2014	2,081	2,332	1,735	2,64	1,526
2015	2,004	2,238	1,682	2,537	1,494
2016	2,021	2,251	1,71	2,629	1,455

Source: IBGE/PNADC, consolidation of first interviews.

Compiled by: IMB / SEGPLAN-GO / Department of Systematization and Dissemination of Socioeconomic Information – 2018.

Note: For the classification of formal or informal jobs, the definition of the International Labor Organization - ILO (PROFILE 2009) was used.

Exclusive to people with no income.

STATE OF GOIÁS, Midwest and Brazil: Occupied population aged 16 years or over with the lowest incomes (40%), the employed population with the highest incomes (10%), total and average income, and the ratio of average incomes (10/40) - 2012 – 16.

Year	Occupied population aged 16 years and over,				Ratio of average earnings (B / A)
	40% with the lowest incomes (A)		10% with the highest yields (B)		
	Total (1,000 people)	Average yield (R\$)	Total (1,000 people)	Average yield (R\$)	
Goiás					
2012	1,197	762	300	7,574	9.9
2013	1,226	792	307	7,648	9.7
2014	1,256	842	314	7,644	9.1
2015	1,248	808	312	7,171	8.9
2016	1,233	787	309	6,657	8.5
Midwest					
2012	2,733	782	683	10,186	13.0
2013	2,842	811	711	9,986	12.3
2014	2,866	854	717	9,873	11.6
2015	2,89	824	723	9,511	11.5
2016	2,886	819	722	9,068	11.1
Brazil					
2012	34,379	660	8,595	8,387	12.7
2013	35,023	693	8,758	8,572	12.4
2014	35,605	709	8,901	8,872	12.5
2015	35,764	704	8,942	8,359	11.9
2016	35,446	692	8,863	8,68	12.5

Source: IBGE/PNADC, consolidation of first interviews.

Compiled by: IMB / SEGPLAN-GO / Department of Systematization and Dissemination of Socioeconomic Information – 2018.
Exclusive to persons without declaration of income and persons with zero income.

STATE OF GOIÁS, Midwest and Brazil: Young people 16 to 29 years of age who do not study and are not employed, and their percentage distribution per condition in relation to the workforce in the reference week - 2012 – 16.

Year	Young people 16 to 29 years of age who do not study and are not employed		
	Total (1,000 people)	Percentage distribution by condition relative to labor force in reference week (%)	
		In the work force (unoccupied)	Out of the workforce
Goiás			
2012	302	22.5	77.5
2013	313	23.4	76.6
2014	298	26.6	73.4
2015	318	28.2	71.8
2016	344	38.9	61.1
Midwest			
2012	706	26.0	74.0
2013	692	25.6	74.4
2014	679	25.9	74.1
2015	754	28.2	71.8
2016	771	38.0	62.0
Brazil			
2012	10,502	28.2	71.8
2013	10,382	28.3	71.7
2014	10,234	27.3	72.7
2015	10,884	32.4	67.6
2016	11,648	38.4	61.6

Source: IBGE/PNADC, consolidation of first interviews.

Compiled by: IMB / SEGPLAN-GO / Department of Systematization and Dissemination of Socioeconomic Information – 2018.

17 - PUBLIC FINANCE

STATE OF GOIÁS: Gross revenue – 2008 – 18 (R\$ thousand).

Year	Total	Taxes					Other Revenue
		Total	ICMS	IPVA	ITCD	Other Taxes	
2008	10,356,686	7,023,955	6,538,716	354,01	56,222	75,009	3,332,731
2009	10,685,179	7,461,040	6,810,431	437,757	62,303	150,549	3,224,139
2010	12,797,893	8,940,598	8,170,085	526,868	69,346	174,299	3,857,296
2011	17,161,476	10,808,682	9,875,178	630,034	101,597	201,873	6,352,794
2012	18,964,509	12,415,479	11,369,285	695,508	138,639	212,047	6,549,030
2013	19,883,417	13,426,642	12,137,751	796,867	159,329	332,695	6,456,774
2014	22,198,908	14,645,884	13,252,854	914,365	181,374	297,291	7,553,024
2015	22,196,570	15,398,097	13,745,217	1,063,052	301,091	288,736	6,798,474
2016	23,548,150	16,315,021	14,334,661	1,319,626	249,219	411,515	7,233,128
2017	18,005,537	17,128,187	15,022,541	1,316,301	291,818	497,527	877,350
2018	12,161,127	11,604,250	10,173,144	875,426	179,804	375,877	556,876

Source: State Treasury Secretary.

Compiled by: IMB / SEGPLAN-GO / Department of Systematization and Dissemination of Socioeconomic Information – 2018.
2018: January to august.

ICMS – Tax on Transit of Goods and Services

IPVA – Tax on Automotive Vehicles

ITCD - Tax Transfer Cause Mortis and Donation of any goods or Rights

STATE OF GOIÁS: ICMS - Wholesale Distributing Trading – 2015 – 18 (R\$).

Specification	2015	2016	2017	2018
Trade and Wholesale Distributor	1,915,911,972,69	2,110,911,186,79	2,404,909,269,99	1,612,423,681.28
Retail Commerce	1,514,043,468,89	1,626,758,062,80	1,847,840,426,35	1,378,216,778.74
Mineral or fossil extraction	120,473,812,49	95,279,232,71	73,205,013,36	46,838,266.79
Industry	2,606,687,618,01	2,576,728,064,66	2,852,586,756,36	1,847,087,684.35
Services	275,649,510,31	293,900,806,76	320,356,670,10	232,997,195.09
Farming	216,981,107,49	230,567,526,54	218,728,260,36	140,811,718.27
Combustible	3,575,692,873,27	3,805,961,600,68	3,922,635,914,64	2,608,037,540.43
Communication	1,048,065,526,23	1,054,362,936,66	1,090,590,426,08	657,992,264.66
Electric Power	2,025,817,126,06	2,084,798,171,01	1,793,502,050,69	1,352,379,710.55
Outthers	445,893,743,67	455,393,081,41	498,186,595,64	296,358,889.01
ESTADO DE GOIÁS	13,745,216,759,11	14,334,660,670,02	15,022,541,383,57	10,173,143,729.17

Source: State Treasury Secretary.

Compiled by: IMB / SEGPLAN-GO / Department of Systematization and Dissemination of Socioeconomic Information – 2018.
2018: January to august.

18 – STATE BUDGET

STATE OF GOIAS: Budget Consolidation - 2018, (R\$ thousand)

Budgets	Treasure	Other Sources	Total	%
Fiscal Budget	16,736,970	3,815,601	20,552,571	82,32
Direct Administration	13,059,054	155,120	13,214,174	52,93
Indirect Administration	1,151,706	118,616	1,270,322	5,09
Special Funds	2,526,210	3,541,865	6,068,075	24,31
Budget and Social Security	2,155,322	1,528,618	3,683,940	14,76
Direct Administration	10,406	8,010	18,416	0,07
Indirect Administration	1180	1,265,723	1,266,903	5,07
Special Funds	2,143,736	254,885	2,398,621	9,61
Investment Budget of State Enterprises	-	728,816	728,816	2,92
Grand Total	18,892,292	6,073,035	24,965,327	100,00

Source: SEPLAN / GO / Budget Law of the State of Goiás - 2018

Compiled by: Institute Mauro Borges / SEGPLAN-GO / Department of Systematization and Dissemination of Socioeconomic Information – 2018.

STATE OF GOIAS: Statement of Social Security Budget, revenue per organ, as the sources of funds and economic categories - 2018 (R\$ thousand).

Organs/Units	Source		Economic category		Total
	Treasure	Others	Current	Capital	
Direct Administration					
Secretary of Women and Social Development, the Racial Equality, the work of the Human Rights	6,306	8,01	949	13,367	14,316
Secretary of Health	4,1	-	4,1	-	4,1
Indirect Administration					
Care Institute of Public Servants of the State of Goiás - Ipasgo	1	1,200,664	1,166,234	35,43	1,201,664
Goiás Security - GOIASPREV	180	65,059	52,819	12,42	65,239
Special Funds					
Social Assistance Fund - FEAS	21,6	6,843	27,833	610	28,443
State Fund for the Rights Of The Child and Adolescent - FECAD	20	31	51	-	51
State Health Fund - FES	2,122,116	246,32	2,231,147	137,289	2,368,436
Special Fund for the Management of State Public Health School of Goiás Candido Santiago - FUNGESP	-	1,691	1,591	100	1,691
Total	2,155,322	1,528,618	3,484,724	199,216	3,683,940

Source: SEPLAN / GO / Budget Law of the State of Goiás - 2018

Compiled by: Institute Mauro Borges / SEGPLAN-GO / Department of Systematization and Dissemination of Socioeconomic Information – 2018.

STATE OF GOIAS: Spending in 2016 and Fixed Expenses in 2017 (R\$ thousand).

Discrimination	Expenditure in 2016	Fixed expense in 2017
Current Expenditure	17,933,967	20,947,966
Staff and social charges	11,835,087	13,951,453
Interest and debt service charges	927,02	841,8
Other current expenditure	5,171,860	6,154,713
Capital expenditure	1,579,882	3,057,314
Investment	515,931	2,100,434
Financial investments	49,74	30,378
Amortization of debt	1,014,211	926,502
Contingency reserve	-	356,721
Total	19,513,849	24,362,001

Source: SEPLAN / GO / Budget Law of the State of Goiás - 2018

Compiled by: Institute Mauro Borges / SEGPLAN-GO / Department of Systematization and Dissemination of Socioeconomic Information – 2018.

STATE OF GOIAS: Evolution of General Revenue Collected - 2015 - 18 (R\$ million),

Specification	2015	2016	2017	2018
Current revenue	20,330,091	22,008,224	23,755,776	24,191,139
Tax revenue	15,512,382	16,347,362	18,089,319	18,152,690
Taxes	15,511,110	16,261,903	18,021,357	18,117,844
Taxes free yield and patrimony	2,426,804	2,712,422	2,989,575	3,120,056
Taxes free income and earnings of any nature	1,101,475	1,192,883	1,313,191	1,457,232
Taxes without ownership of Motor Vehicles	1,029,182	1,279,342	1,313,632	1,400,180
Transfer tax	296,147	240,197	362,752	262,644
Tax without the production and circulation	13,084,306	13,549,481	15,031,782	14,997,788
Fee	1,272	85,459	67,962	34,846
Patrimony revenue	46,152	46,91	73,111	82,164
Agricultural Revenue	-	-	0	0
Revenue from services	0	0	22,967	48,77
Current transfers	4,451,549	5,026,606	5,161,343	5,387,052
Other current revenue	319,867	587,174	408,907	520,425
Capital revenue	742,277	89,058	1,815,151	112,475
Credit operations	556,308	34,406	475,089	103,578
Disposal of property	0	0	1,056,843	3,026
Other capital revenue	185,589	54,499	283,219	5,871
Deductions	-6,499,117	-7,033,418	-7,560,958	-7,613,502
Total revenue of the treasury	14,573,251	15,063,864	18,009,969	16,690,112
Total adm, direct, other powers and mp	83,94	77,819	210,59	274,218
Total revenue for autarchy and foundations	1,679,927	1,990,590	2,055,520	2,087,957
(Exclusive treasury transfers)				
Total revenue from special funds	3,602,336	4,040,194	4,085,922	5,184,224
(Exclusive treasury transfers)				
Total revenue of the companies (estimated)	849,126	863,221	668,656	728,816
(Exclusive treasury transfers)				
Total general revenue	20,788,580	22,035,688	25,030,657	24,965,327

Source: SEPLAN / GO / Budget Law of the State of Goiás - 2018

Compiled by: Institute Mauro Borges / SEGPLAN-GO / Department of Systematization and Dissemination of Socioeconomic Information – 2018.

2017 e 2018: estimates

STATE OF GOIAS: Fixed expenses by function of government - 2016 - 18 (R\$ thousand).

Budget Function	Budgeted Amount 2016	Budgeted Amount 2017	Budgeted Amount 2018
Total	24,385,283	24,362,001	26,215,373
Education	4,394,644	4,670,481	5,364,559
Health	3,107,008	3,418,266	4,411,552
Administration	2,135,687	3,109,703	3,582,793
Social Security	2,728,187	3,073,732	3,549,574
Public Security	2,477,626	3,011,546	2,389,523
Special Taxes	2,348,718	2,280,410	2,295,777
Judiciary	1,130,739	1,321,935	1,330,691
Legislative	702,228	751,139	610,198
Transport	2,295,761	689,113	480,678
Essential to Justice	374,538	483,948	479,618
Science and Technology	465,527	386,806	376,037
Contingency Reserve	879,675	356,721	373,01
Social Assistance	225,482	207,973	354,793
Agriculture	142,826	124,787	214,099
Citizenship Rights	172,953	99,949	196,721
Urbanism	485,962	90,829	46,933
Culture	70,15	67,123	37,98
Sport and Leisure	46,24	45,337	34,009
Commerce and Services	51,09	44,658	29,697
Industry	59,885	38,072	24,883
Housing	12,536	35,202	10,49
Environmental Management	28,083	15,966	9,434
Work	23,188	13,975	6,913
Sanitation	12,23	13,87	3,339
Energy	12,62	9,21	1,612
Communication	1,7	1,25	460

Source: SEPLAN / GO / SOR – Oversight of Budget and Expense.

Compiled by: Institute Mauro Borges / SEGPLAN-GO / Department of Systematization and Dissemination of Socioeconomic Information – 2018.

19 – FINANCING AND INVESTMENTS

STATE OF GOIÁS, Midwest and Brazil: Investments – BNDES - Outlay - 2012 – 18 (R\$ thousand).

Year	Goiás	Midwest	Brazil	Share %	
				Goiás/Midwest	Goiás/Brazil
2012	3,145,352	20,098,081	155,992,270	15.65	2.16
2013	5,085,454	20,898,732	190,419,035	24.33	2.67
2014	5,445,174	21,630,281	187,836,869	25.13	2.90
2015	3,350,910	12,905,021	135,942,045	25.96	2.46
2016	2,360,805	10,206,850	88,256,501	23.13	2.67
2017	2,085,159	8,397,910	70,750,785	24.83	2.95
2018	784,751	3,815,935	27,756,669	20.56	2.83

Source: Brazilian Social and Economical Development Bank.

Compiled by: IMB / SEGPLAN-GO / Department of Systematization and Dissemination of Socioeconomic Information – 2018.
2018: January to june.

STATE OF GOIÁS: Approved projects with incentives/PRODUZIR – 2013 – 18.

Ano	Companies	Nº of jobs	Fixed investment (R\$ thousand)
2013	108	7,374	977,103
2014	77	5,781	301,029
2015	85	3,995	254,628
2016	66	3,032	750,288
2017	69	2,42	195,321
2018	24	1,039	103,788

Source: SIC-GO / PRODUZIR.

Compiled by: IMB / SEGPLAN-GO / Department of Systematization and Dissemination of Socioeconomic Information – 2018.
2018: January to april.

STATE OF GOIÁS: Approved projects with incentives/PRODUZIR by activity – Position: april/2018.

Activity	Companies	Nº of jobs	Fixed investment (R\$ thousand)
Grand total	24	1,039	103,788
Cargo road transport, except dangerous products and changes, intermunicipal, interstate and international	2	181	42,628
Wholesale trade in instruments and materials for medical, surgical, hospital and laboratory use; manufacture of pharmaceutical products; manufacture of allopathic medicinal products for human use	1	215	35,65
Manufacture of alcohol; manufacture of raw sugar; other spirits and distilled beverages	1	46	3,614
Manufacture of dairy products (milk products), road transport of cargo, except dangerous products and changes, inter-municipal, interstate and international, milk preparation,	1	24	3,173
Printing of books, magazines and other periodicals; printing security material; manufacture of paper products, paperboard, cardboard and corrugated paper for commercial and office use	1	12	2,872
Manufacture of dairy products	1	21	2,215
Manufacture of cars, vans and utility vehicles; manufacture of parts and accessories for motorcycles; manufacture of motorcycles,	1	252	2,2
Manufacture of preserved fish, crustaceans and molluscs; wholesaler of fish and seafood; general warehouses - warrant issue	1	11	2
Manufacture of beers and draft beer; wholesaler of beer; draft beer and soda; manufacture of soft drinks,	1	28	1,537
Machining, turning and welding services; retailing of hardware and tools; wholesale of hardware and tools	1	14	1,377
Recovery of materials not previously specified; recovery of plastic materials; wholesale of non-metallic scrap and waste, excluding paper and cardboard	1	21	1,308
Road transport of cargo, except dangerous products and changes, intermunicipal, interstate and international; wholesale trade in agricultural raw materials not specified elsewhere; general warehouses - warrant issue	1	30	1,24
Preparation of milk (milk preparation); dairy products manufacturing; manufacture of additives for industrial use,	1	10	1,197
Wholesale trade in food products in general, with associated fractioning and conditioning activities	1	15	600
Manufacture of canned vegetables and other vegetables, except palm	1	58	592
Manufacture of bakery products; manufacture of bakery and confectionery products with a predominance of own production, biscuits and biscuits, pasta, ready-made foods and dishes; and wholesaler of breads, cakes, biscuits and the like,	1	48	395
Manufacture of paper packaging (paper packaging, whether or not printed; manufacture of); general warehouses - warrant issue; wholesale packaging trade,	1	15	305
Manufacture of machinery and equipment for agriculture and livestock, parts and accessories, except for irrigation	1	2	270
Road transport of cargo, except dangerous products and inter-municipal, interstate and international changes;	1	12	240
Wholesale trade in drugs and drugs for human use; wholesaler of cosmetics and perfumery products; wholesaler of personal care products	1	4	200
Food industry; exercising to do so; without limitation to industry and commerce; the distribution; representation; import and export of foodstuffs,	1	10	130
Manufacture of machinery and equipment for basic and environmental sanitation, parts and accessories	1	10	45
Manufacture of rubber products not elsewhere classified	1	0	0

Source: SIC-GO / PRODUZIR.

Compiled by: IMB / SEGPLAN-GO / Department of Systematization and Dissemination of Socioeconomic Information – 2018.

STATE OF GOIÁS and Midwest: Admission programs using CFMW funds – 2017 – 2018.

Program	Goiás				Midwest			
	Quantity		Nominal values (R\$ 1000)		Quantity		Nominal values (R\$ 1000)	
	2017	2018	2017	2018	2017	2018	2017	2018
Companies	4,455	1,286	673,493	247,713	10,083	2,759	1,949,413	887,359
Industrial	690	94	206,654	30,164	1,362	185	490,252	77,530
Infrastructure	28	9	16,758	44,948	45	18	173,004	273,084
Tourism	189	33	27,348	4,968	532	82	74,355	45,580
Trade / Services / CT & I	3,548	1,150	422,732	167,633	8,144	2,473	1,211,802	491,165
Business transfer	14	1	3,290	172	144	17	33,488	2,262
Rural	8,323	4,221	2,044,706	1,536,523	15,377	8,615	5,069,634	4,256,493
Dev, Rural	8,270	4,191	1,999,261	1,519,749	15,176	8,494	4,894,389	4,080,540
FCO Green - Cons, Nature	52	27	45,345	16,774	165	121	161,095	175,952
FCO Green - ILPF	0	0	0	0	0	0	0	0
Retention matrices	1	0	99	0	36	0	14,149	0
Total PRONAF	9,291	6,604	404,996	258,489	22,106	15,235	1,075,014	666,863
PRONAF	8,691	6,176	392,678	248,541	20,727	14,379	1,048,586	646,986
PRONAF – RA	600	428	12,319	9,949	1,379	856	26,428	19,877
Rural – transfer	105	35	22,198	7,717	625	194	186,179	69,694
Total	22,188	12,147	3,148,682	2,050,615	48,335	26,819	8,313,728	5,882,671

Source: Bank of Brazil / Constitutional Fund for the Midwest.

Compiled by: IMB / SEGPLAN-GO / Department of Systematization and Dissemination of Socioeconomic Information – 2018.

- CT & I: Science, Technology and Innovation

- ABC-ILPF: Low Cost Carbon Farming - Mode Crop-Livestock-Forest.

2018: Position: august.

STATE OF GOIÁS: Contracts and Financings of the Agency of Incentives and Development of Goiás – 2016 – 18.

Specification	Amount of Contracts			Released Value (R\$ thousands)		
	2016	2017	2018	2016	2017	2018
Own resources for investment	680	798	298	27,814	30,041	11,666
Working Capital	314	459	166	12,463	17,229	6,597
Fixed Investment	366	339	132	15,351	12,811	5,068
Own resources for activity	680	707	271	27,814	30,041	11,498
Trade	299	440	177	10,658	16,28	6,955
Services	185	57	19	9,038	5,416	2,001
Industry	195	208	73	2,744	7,985	2,471
Agribusiness(CRA)	1	2	2	5,375	359	71
Managed Funds	70	31	12	6,248,913	5,024,896	985,241
FUNMINERAL	5	0	0	596	596	596
Production Credit	0	0	0	0	0	0
Credi PAI	0	0	0	0	0	0
PRODUZIR – Inc, fiscal	65	31	12	6,248,318	5,024,300	984,645
Transfer Resources	23	8	1	7,981	1,005	1,005
FCO	21	8	1	6,951	1,005	1,005
BNDES	2	0	0	1,029	0	0
Total	773	746	284	6,284,708	5,055,941	997,744

Source: Agency of Incentives and Development of Goiás S/A.

Compiled by: IMB / SEGPLAN-GO / Department of Systematization and Dissemination of Socioeconomic Information – 2018.

2018: Position: may.

Systematization and Dissemination of Socioeconomic Informations Bureau

Technical group

Eduiges Romanatto (Manager)
Evelyn de Castro Cruvinel
Sueide Rodrigues de Souza Peixoto

Web release

Vanderson Soares

Editorial production and cover art

Geovane Ferreira de Assunção

*The reproduction of this text and its content data is allowed
since providing its source,
Commercial reproductions are forbidden,*

November - 2018

