

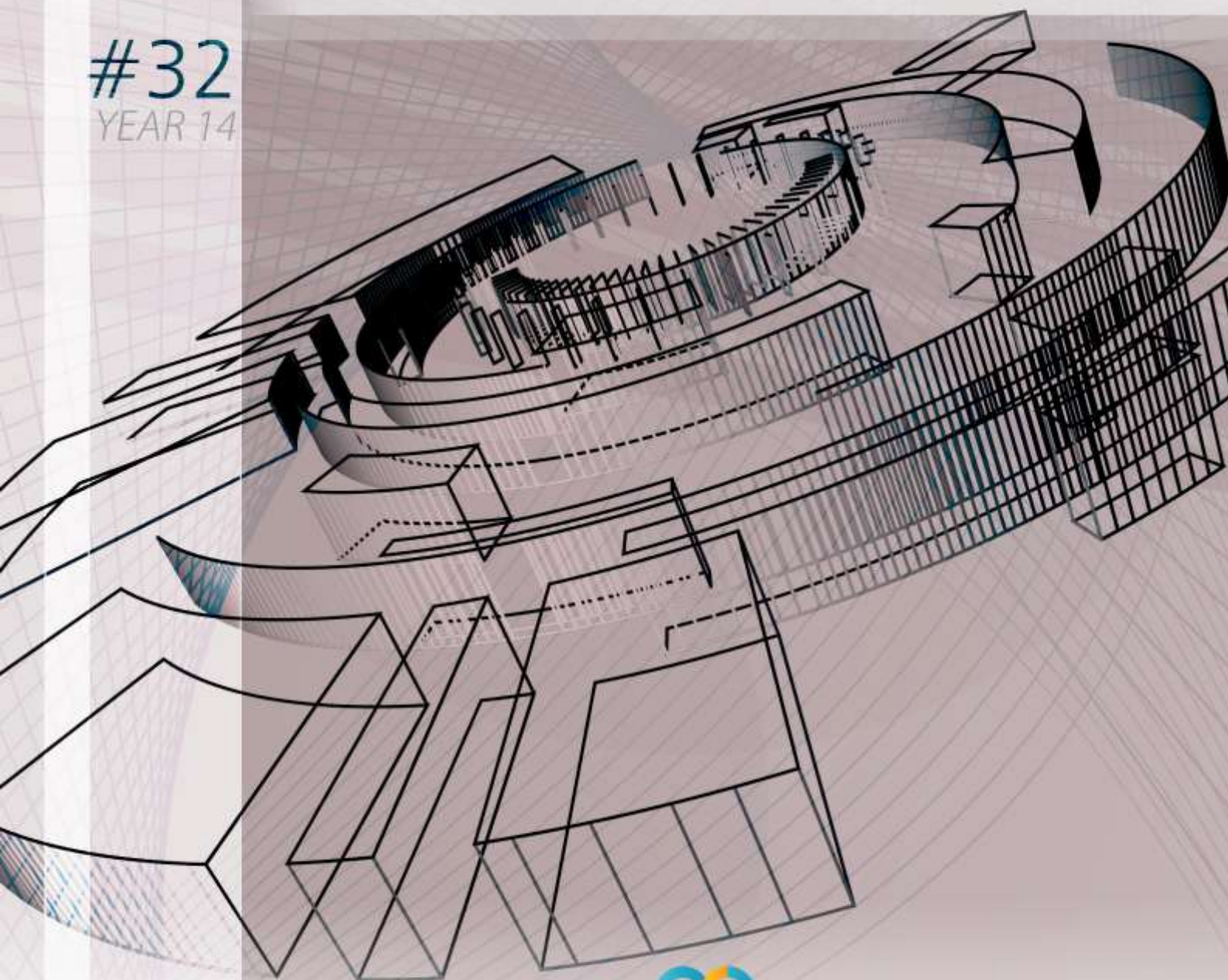
*Quarterly basic statistics*

# STATE OF GOIÁS

ENGLISH VERSION

2017 / 2<sup>ND</sup> QUARTER

#32  
YEAR 14



**SEGPLAN**

SECRETARIA DE ESTADO DE  
GESTÃO E PLANEJAMENTO



**STATE OF GOIAS GOVERNOR**

Marconi Ferreira Perillo Júnior

**MANAGEMENT AND PLANNING STATE SECRETARIAT**

Joaquim Cláudio Figueiredo Mesquita

**MAURO BORGES INSTITUTE**

Lillian Maria Silva Prado

---

**IMB - INSTITUTO MAURO BORGES**  
**DE ESTATÍSTICAS E ESTUDOS SOCIOECONÔMICOS**

---

Mauro Borges Institute attached to the Management and Planning State Secretariat, IMB is responsible for the elaboration of studies, researches, analysis and socioeconomic statistics, providing information for the creation of state politics in economic and social areas. The Office also provides a collection of statistical, geographic and cartographic data.

**Department of Special and Socioeconomics Studies**

Rui Rocha Gomes

**Department of Regional Accounts and Indicators**

Dinamar Maria Ferreira Marques

**Department of Systematization and Dissemination of Socioeconomic Informations**

Eduiges Romanatto

**Department of Systematic and Special Researches**

Marcelo Eurico de Sousa

**Department of Cartography and Geoprocessing**

Carlos Antônio Melo Cristóvão

Quarterly Basic Statistics - YEAR XIII 2016, 2nd Quarter.  
Goiânia: Management and Planning State of Goiás Secretariat,  
November / 2017. 44 p.



**Instituto Mauro Borges**  
Av. República do Líbano nº 1945 - 4º andar  
Setor Oeste – Goiânia – Goiás - CEP 74.125-125  
Telefone: (62) 3201-6695/8481  
Internet: [www.imb.go.gov.br](http://www.imb.go.gov.br), [www.segplan.go.gov.br](http://www.segplan.go.gov.br)  
e-mail: [imb@segplan.go.gov.br](mailto:imb@segplan.go.gov.br)

# CONTENTS

1 – PHYSICAL / DEMOGRAPHIC ASPECTS .....	4
2 - ECONOMIC INDEX .....	6
3 – GROSS DOMESTIC PRODUCT (GDP).....	6
4 – EXTRACTIVE INDUSTRY .....	8
5 – AGRICULTURE .....	10
6 – CATTLE RAISING.....	14
7 – INDUSTRY.....	17
8 – TRADE AND SERVICES .....	21
9 – BALANCE OF TRADE .....	24
10 – POWER.....	24
12 - EDUCATION .....	27
13 – PUBLIC SANITATION .....	30
14 – PUBLIC HEALTH.....	31
15 – SOCIAL INDICES.....	32
16 - EMPLOYMENT .....	33
17 - PUBLIC FINANCE .....	36
18 – STATE BUDGET.....	37
19 – FINANCING AND INVESTMENTS .....	40

## 1 – PHYSICAL / DEMOGRAPHIC ASPECTS

### STATE OF GOIÁS, Midwest and Brazil: Total area – 2016.

Specification	Goiás	Midwest	Brazil	Share (%)	
				Goiás / Midwest	Goiás / Brazil
Área (km <sup>2</sup> )	340,116.492	1,606,234.466	8,515,767.090	21.17	3.99

Source: IBGE.

Compiled by: IMB / SEGPLAN-GO / Department of Systematization and Dissemination of Socioeconomic Information – 2017.

### STATE OF GOIÁS, Midwest and Brazil: Resident Population – 1980, 1991, 1996, 2000, 2010 – 17.

Year	Population (thou inhabitants)			Share (%)	
	Goiás	Midwest	Brazil	Goiás / Midwest	Goiás / Brazil
1980 (1)	3,121	6,806	119,003	45.86	2.62
1991	4,019	9,428	146,825	42.63	2.74
1996 (3)	4,515	10,501	157,070	43.00	2.87
2000	5,003	11,637	169,799	42.99	2.95
2010	6,004	14,058	190,756	42.71	3.15
2011 (2)	6,218	14,576	195,243	42.66	3.18
2012 (4)	6,155	14,424	193,947	42.67	3.17
2013 (4)	6,434	14,993	201,033	42.91	3.20
2014 (4)	6,523	15,220	202,769	42.86	3.22
2015 (4)	6,611	15,442	204,451	42.81	3.23
2016 (4)	6,696	15,661	206,081	42.75	3.25
2017 (4)	6,779	15,876	207,661	42.70	3.26

Source: IBGE.

Compiled by: IMB / SEGPLAN-GO / Department of Systematization and Dissemination of Socioeconomic Information – 2017.

(1) Referring to the State of Goiás after the splitting in two states (2) PNAD (3) Counting (4) Estimated in 07/01

Note: The data in this table were reweighted by the 2008 revision of population projections, by IBGE, including the trend from 2000 to 2010.

### STATE OF GOIÁS, Midwest and Brazil: Average geometric rate of annual growth.

Region	Rate of annual growth (%)						
	1980/1991	1991/1996	1996/2000	1991/2000	1980/2000	2000/2010	2010/2017
Goiás	2.33	2.36	2.60	2.46	2.39	1.84	1.75
Midwest	3.01	2.18	2.60	2.36	2.72	1.91	1.75
Brazil	1.93	1.36	1.97	1.63	1.79	1.17	1.22

Compiled by: IMB / SEGPLAN-GO / Department of Systematization and Dissemination of Socioeconomic Information – 2017.

**STATE OF GOIÁS: Resident urban and rural population, demographic density and urbanization rate – 1980, 1991, 1996, 2000, 2010 – 15.**

Year	Resident Population (thou inhab,)			Demographic Density (inhab, / km <sup>2</sup> )	Urbanization Rate (%)
	Total	Urban	Rural		
1980	3,121	2,108	1,013	9.18	67.54
1991	4,019	3,248	771	11.82	80.82
1996	4,515	3,873	642	13.28	85.78
2000	5,003	4,397	607	14.71	87.89
2010	6,004	5,421	583	17.65	90.29
2011 (1)	6,218	5,729	489	18.28	92.14
2012 (1)	6,296	5,765	530	18.51	91.57
2013 (1)	6,456	5,913	543	18.98	91.59
2014 (1)	6,544	6,036	508	19.24	92.24
2015 (1)	6,631	6,076	555	19.50	91.63

Source: IBGE.

Compiled by: IMB / SEGPLAN-GO / Department of Systematization and Dissemination of Socioeconomic Information – 2017.

(1) PNAD.

Note: The data in this table were reweighted by the 2008 revision of population projections, by IBGE, including the trend from 2000 to 2010.

**STATE OF GOIÁS, Midwest and Brazil: Resident Population according to gender, people of 10 years and over and permanent private residences – 2015. (Per thous).**

Region	Resident Population			People of 10 years and over		Permanent private residences
	Total	Men	Women	Total	Illiteracy (%)	
Goiás	6,631	3,231	3,400	5,731	5.60	2,208
Midwest	15,489	7,582	7,907	13,340	5.24	5,215
Brazil	204,860	99,408	105,452	177,657	7.38	68,037

Source: IBGE.

Compiled by: IMB / SEGPLAN-GO / Department of Systematization and Dissemination of Socioeconomic Information – 2017.

**STATE OF GOIÁS, Midwest and Brazil: Voters as per age group – september/2017.**

Age Group	Goiás	Midwest	Brazil	Share (%)	
				Goiás/Midwest	Goiás/Brazil
<b>Total</b>	<b>4,464,442</b>	<b>10,563,432</b>	<b>146,470,911</b>	<b>42.26</b>	<b>3.05</b>
16 years	25,937	50,044	835,426	51.83	3.10
17 years	48,545	98,858	1,486,054	49.11	3.27
18 to 20 years	266,715	614,263	8,530,164	43.42	3.13
21 to 24 years	396,615	955,539	12,750,246	41.51	3.11
25 to 34 years	1,006,426	2,421,820	32,338,063	41.56	3.11
35 to 44 years	953,095	2,279,727	29,496,260	41.81	3.23
45 to 59 years	1,077,954	2,545,072	34,928,236	42.35	3.09
60 to 69 years	414,761	956,824	14,647,750	43.35	2.83
70 to 79 years	196,980	451,082	7,376,440	43.67	2.67
79 years and over	77,349	190,012	4,078,322	40.71	1.90
Not informed	65	191	3,950	34.03	1.65

Source: TSE.

Compiled by: IMB / SEGPLAN-GO / Department of Systematization and Dissemination of Socioeconomic Information – 2017.

## 2 - ECONOMIC INDEX

### Economic Indexes – 2011 – 17.

Indices	Yearly Variation (%)						Variation- Jan-sept (%)
	2011	2012	2013	2014	2015	2016	2017
IPCA (IBGE)	6.50	5.84	5.91	6.41	10.67	6.29	1.78
INPC (IBGE)	6.08	6.20	5.56	6.23	11.28	6.58	1.24
IGP – DI (FGV)	5.00	8.10	5.52	3.78	10.70	7.18	-2.03
IPCA – Goiânia (IBGE)	6.18	5.40	5.62	7.20	11.10	5.25	0.74
INPC – Goiânia (IBGE)	5.98	6.97	4.93	6.23	12.19	5.36	0.15
IPC – Goiânia (SEGPLAN)	7.26	9.63	5.93	8.42	14.18	7.31	0.36

Source: IBGE / FGV / SEGPLAN-GO.

Compiled by: IMB / SEGPLAN-GO / Department of Systematization and Dissemination of Socioeconomic Information – 2017.

## 3 – GROSS DOMESTIC PRODUCT (GDP)

### STATE OF GOIÁS, Midwest and Brazil: Gross domestic product at current market prices and *per capita* – 2012 - 16.

Region	GDP at current prices (R\$ million)					GDP <i>per capita</i> (R\$)				
	2012	2013	2014	2015(1)	2016(1)	2012	2013	2014	2015(1)	2016(1)
Goiás	138,758	151,300	165,015	171,344	178,948	22,543.93	23,515.55	25,296.60	25,918.02	26,724.61
Midwest	444,538	485,623	542,632	...	...	30,819.44	32,389.57	35,653.48	...	...
Brazil	4,814,760	5,331,619	5,778,953	6,000,570	6,266,895	24,825.15	26,521.15	28,500.24	29,349.67	30,409.86

Source: SEGPLAN-GO / IMB / Regional Account Management.

Compiled by: IMB / SEGPLAN-GO / Department of Systematization and Dissemination of Socioeconomic Information – 2017.

(1) - Estimate can be reviewed.

### STATE OF GOIÁS and Midwest: Share of the Brazilian GDP at current market prices – 2010 – 14 (%).

Region	2010	2011	2012	2013	2014
Goiás	2.7	2.8	2.9	2.8	2.9
Midwest	9.1	9.1	9.2	9.1	9.4

Source: SEGPLAN-GO / IMB / Regional Account Management.

Compiled by: IMB / SEGPLAN-GO / Department of Systematization and Dissemination of Socioeconomic Information – 2017.

### STATE OF GOIÁS: Structure of the GDP – 2010 – 14.

Year	Structure of the GDP per sector (%)			
	GDP	Farming	Industry	Services
2010	100.0	11.1	28.3	60.5
2011	100.0	11.0	26.9	62.0
2012	100.0	11.5	25.8	62.6
2013	100.0	12.3	25.8	61.9
2014	100.0	10.7	23.8	65.6

Source: SEGPLAN-GO / IMB / Regional Account Management.

Compiled by: IMB / SEGPLAN-GO / Department of Systematization and Dissemination of Socioeconomic Information – 2017.

### STATE OF GOIÁS: Actual variation rate – 2011 – 14.

Sector	Actual variation rate (%)			
	2011	2012	2013	2014
Farming	10.8	8.8	1.2	-1.0
Industry	7.6	1.3	3.8	2.2
Services	4.0	4.9	3.5	1.7
<b>GDP</b>	5.8	4.5	3.1	1.9

Source: SEGPLAN-GO / IMB / Regional Account Management.

Compiled by: IMB / SEGPLAN-GO / Department of Systematization and Dissemination of Socioeconomic Information – 2017.

### STATE OF GOIÁS: Gross Domestic Product - Rate (over the same previous period) - 2010 – 14.

Year	Quarter	GDP	
		Quarterly	Accumulated in 12 months
2014	I	0.7	0.7
	II	1.5	1.1
	III	3.1	1.8
	IV	2.3	1.9
2013	I	1.6	1.6
	II	3.1	2.4
	III	3.8	2.9
	IV	3.3	3.0
2012	I	6.6	6.6
	II	3.4	5.0
	III	4.4	4.8
	IV	3.5	4.5
2011	I	1.8	1.8
	II	9.8	5.7
	III	6.4	6.0
	IV	5.8	5.9
2010	I	9.3	9.3
	II	6.8	8.1
	III	8.1	8.1
	IV	11.2	8.8

Source: Regional Account Management.

Compiled by: IMB / SEGPLAN-GO / Department of Systematization and Dissemination of Socioeconomic Information – 2017.

**STATE OF GOIÁS e Brazil: Gross Domestic Product - Rate (over the same previous period) - 2015 – 17.**

Year	Farming		Industry		Services		GDP	
	Goiás	Brazil	Goiás	Brazil	Goiás	Brazil	Goiás	Brazil
1st Trim. 2015	5.5	7.1	-3.3	-4.7	-0.1	-1.1	0.7	-1.8
2ndTrim. 2015	0.7	4.7	-3.3	-5.5	-2.2	-2.1	-1.8	-3.0
3rd Trim. 2015	-11.8	0.2	-5.1	-6.4	-3.8	-3.4	-5.1	-4.5
4th Trim. 2015	6.6	0.8	-7.3	-8.6	-5.4	-4.1	-6.9	-5.8
<b>Accumulated 2015</b>	<b>-2.6</b>	<b>3.6</b>	<b>-4.8</b>	<b>-6.3</b>	<b>-2.9</b>	<b>-2.7</b>	<b>-3.2</b>	<b>-3.8</b>
1st Trim. 2016	10.5	-8.3	-6.4	-7.0	-4.6	-3.5	-2.0	-5.4
2ndTrim. 2016	-1.1	-6.1	-2.6	-2.9	-3.8	-2.7	-3.1	-3.6
3rd Trim. 2016	-9.1	-6.0	-2.4	-2.9	-2.3	-2.2	-3.4	-2.9
4th Trim. 2016	4.9	-5.0	-4.1	-2.5	-0.7	-2.4	-2.0	-2.5
<b>Accumulated 2016</b>	<b>0.6</b>	<b>-6.6</b>	<b>-3.7</b>	<b>-3.8</b>	<b>-2.9</b>	<b>-2.7</b>	<b>-2.7</b>	<b>-3.6</b>
1st Trim. 2017	8.6	15.2	2.4	-1.1	-2.7	-1.7	0.2	-0.4
2ndTrim. 2017	22.4	14.9	-4.0	-2.1	-1.0	-0.3	1.4	0.3
1st sem. 2017	14.2	15.0	-1.3	-1.6	-1.4	-1.0	1.0	0.0

Source: Regional Account Management.

Compiled by: IMB / SEGPLAN-GO / Department of Systematization and Dissemination of Socioeconomic Information – 2017.

Estimate can be reviewed.

**4 – EXTRACTIVE INDUSTRY**
**STATE OF GOIÁS: Production of principal minerals – 2011 – 15.**

Mineral	Production (t)				
	2011	2012	2013	2014	2015
Mineral water (1)	131,798,468	144,503,934	155,032,502	189,689,995	181,455,443
Asbestos (2)	306,321	304,569	290,826	311,228	232,052
Limestone (3)	1,767,590	1,987,274	2,241,416	2,282,769	2,029,555
Agric. Limestone	2,838,721	4,623,927	3,787,300	4,422,703	3,232,392
Cobalt	6,786	3,122	3,239	3,865	2,771
Copper	80,824	75,055	62,802	65,574	63,985
Emerald (4)	ND	ND	ND	ND	ND
Phosphate	2,061,134	2,049,546	3,484,689	2,425,709	2,316,566
Gold (4)	11,233	11,238	6,280	7,766	6,605
Niobium	10,968	13,037	12,464	12,773	12,740
Nickel (5)	48,766	65,178	66,919	75,956	48,800
Vermiculite	54,500	60,125	58,163	52,001	52,166

Source: DNPM.

Compiled by: IMB / SEGPLAN-GO / Department of Systematization and Dissemination of Socioeconomic Information – 2017.

(1) In liters

(4) In kg

(2) Arbestos in fibers

(5) Nickel in iron-nickel alloy and in nickel carbonate

(3) Limestone for cemente



## STATE OF GOIÁS: Sales of principal minerals – 2011 – 15.

Mineral	Sales (t)				
	2011	2012	2013	2014	2015
Mineral water (1)	131,798,468	144,503,934	155,032,502	189,689,995	181,455,443
Asbestos (2)	306,321	304,569	295,003	275,268	232,052
Limestone (3)	1,767,590	1,987,274	2,241,562	2,285,422	2,026,132
Agric, Limestone	2,838,721	4,623,927	3,778,402	4,324,547	3,195,531
Cobalt	6,786	3,122	3,239	3,865	2,771
Copper	80,824	75,055	63,331	65,574	63,985
Emerald (4)	ND	ND	ND	ND	ND
Phosphate	2,061,134	2,049,546	3,622,801	2,207,019	2,234,867
Gold (4)	11,233	11,238	6,293	7,779	6,608
Niobium	10,968	13,037	12,464	12,773	12,740
Nickel (6)	48,766	65,178	66,411	75,568	48,800
Vermiculite	54,500	60,125	64,232	52,001	50,835

Source: DNPM.

Compiled by: IMB / SEGPLAN-GO / Department of Systematization and Dissemination of Socioeconomic Information – 2017.

(1) In liters

(4) In kg

(2) Arbestos in fibers

(5) Nickel in iron-nickel alloy and in nickel carbonate

(3) Limestone for cemente

## STATE OF GOIÁS, Midwest and Brazil: Collection of the Financial Compensation through exploitation of the mineral resources – 2011 – 17 (R\$ 1,000).

Year	Goiás	Midwest	Brazil	Share (%)	
				Goiás / Midwest	Goiás / Brazil
2011	58,547	97,667	1,544,749	59.95	3.79
2012	74,402	107,909	1,832,381	68.95	4.06
2013	69,057	117,258	2,373,783	58.89	2.90
2014	71,013	130,010	1,703,461	54.62	4.17
2015	79,351	118,392	1,494,762	67.02	5.31
2016	102,002	160,238	1,794,668	63.66	5.68
2017(1)	60,739	88,868	1,334,085	68.35	4.55

Source: National Department of Mineral Production.

Compiled by: IMB / SEGPLAN-GO / Department of Systematization and Dissemination of Socioeconomic Information – 2017.

(1) - January to september.

## STATE OF GOIÁS: Amount and value of products from vegetal and silvicultural origin – 2013 – 16.

Specification	Amount				Value (R\$ 1,000)			
	2013	2014	2015	2016	2013	2014	2015	2016
Timber (Vegetal origin)								
- Charcoal (t)	14,930	24,598	4,919	3,040	11,251	22,681	4,768	3,033
- Lumber (m <sup>3</sup> )	516,207	490,265	462,823	499,231	16,884	16,798	16,510	15,486
- Logs (m <sup>3</sup> )	12,233	7,369	6,683	6,340	4,374	3,545	3,302	3,216
Timber (Silviculture)								
- Charcoal (t)	2,573	3,192	1,276	1,190	3,041	3,701	1,996	1,586
- Lumber (m <sup>3</sup> )	4,498,379	4,357,778	3,444,304	3,300,753	269,014	268,427	160,454	151,118
- Logs (m <sup>3</sup> )	774,320	598,180	574,025	693,296	80,567	65,491	64,484	79,011

Source: IBGE.

Compiled by: IMB / SEGPLAN-GO / Department of Systematization and Dissemination of Socioeconomic Information – 2017.

## 5 – AGRICULTURE

### STATE OF GOIÁS, Midwest and Brazil: Grain Production – 2007 – 17.

Year	Goiás (t)	Midwest (t)	Brazil (t)	Share (%)		Ranking	
				Goiás / Midwest	Goiás / Brazil	Goiás / Midwest	Goiás / Brazil
2007	11,378,951	44,026,444	135,654,278	25.85	8.39	2 <sup>nd</sup>	4 <sup>th</sup>
2008	13,295,063	50,230,541	148,205,645	26.47	8.97	2 <sup>nd</sup>	4 <sup>th</sup>
2009	13,313,507	48,978,139	136,375,615	27.18	9.76	2 <sup>nd</sup>	4 <sup>th</sup>
2010	13,312,250	52,340,028	152,199,493	25.43	8.75	2 <sup>nd</sup>	4 <sup>th</sup>
2011	15,116,917	56,134,130	162,083,402	26.93	9.33	2 <sup>nd</sup>	4 <sup>th</sup>
2012	18,259,907	70,865,890	165,044,477	25.77	11.06	2 <sup>nd</sup>	4 <sup>th</sup>
2013	18,131,632	78,466,663	191,016,977	23.10	9.49	2 <sup>nd</sup>	4 <sup>th</sup>
2014	19,757,173	83,018,762	197,376,656	23.80	10.01	2 <sup>nd</sup>	4 <sup>th</sup>
2015	19,569,247	89,734,985	212,349,875	21.81	9.22	2 <sup>nd</sup>	4 <sup>th</sup>
2016	16,976,994	75,161,472	188,780,410	22.59	9.00	2 <sup>nd</sup>	4 <sup>th</sup>
2017 (1)	22,793,806	106,004,577	244,757,836	21.50	9.31	2 <sup>nd</sup>	4 <sup>th</sup>

Source: IBGE.

Compiled by: IMB / SEGPLAN-GO / Department of Systematization and Dissemination of Socioeconomic Information – 2017.

(1) Position: september.

### STATE OF GOIÁS, Midwest and Brazil: Production of main agricultural products – 2016 – 2017 (tons).

Product	Goiás		Midwest		Brazil	
	2016	2017 (1)	2016	2017 (1)	2016	2017 (1)
Pineapple (1,000 fruit)	61,914	64,366	98,454	101,184	1,796,370	1,610,006
Cotton	86,446	98,099	2,418,411	2,798,258	3,464,103	3,825,902
Garlic	28,881	29,663	33,323	33,023	132,359	131,699
Rice (in husk)	108,194	125,911	685,110	877,163	10,622,189	12,340,979
Coffe	17,200	14,647	24,582	22,485	3,019,051	2,757,571
Sugar cane	71,061,922	72,974,624	142,219,652	144,163,323	768,678,382	719,364,603
Beans (1 <sup>st</sup> , 2 <sup>nd</sup> and 3 <sup>rd</sup> harvest)	330,284	367,957	603,422	793,295	2,615,832	3,368,218
Orange	156,225	146,079	1,185,156	178,041	17,251,291	17,304,035
Corn (1 <sup>st</sup> , 2 <sup>nd</sup> and 3 <sup>rd</sup> harvest)	5,804,842	9,956,508	27,466,857	50,039,257	64,143,414	99,547,463
Soy bean	10,239,473	11,411,354	44,140,654	51,286,855	96,296,714	115,062,174
Sorghum	346,296	778,051	559,571	1,041,757	1,154,456	2,145,532
Tomato (table and industry)	934,658	1,235,101	978,553	1,279,792	4,167,629	4,396,129
Wheat (dry and irrigated)	63,461	55,126	113,575	112,161	6,834,421	5,203,916

Source: IBGE.

Compiled by: IMB / SEGPLAN-GO / Department of Systematization and Dissemination of Socioeconomic Information – 2017.

(1) Position: september.

**STATE OF GOIÁS, Midwest and Brazil: Production Ranking of the main agricultural products - 2016 – 2017.**

Product	Goiás / Midwest		Goiás / Brazil	
	2016	2017	2016	2017
Pineapple (1,000 fruit)	1 <sup>st</sup>	2 <sup>nd</sup>	10 <sup>th</sup>	16 <sup>th</sup>
Cotton	3 <sup>rd</sup>	3 <sup>rd</sup>	4 <sup>th</sup>	4 <sup>th</sup>
Garlic	1 <sup>st</sup>	1 <sup>st</sup>	4 <sup>th</sup>	2 <sup>nd</sup>
Rice (in husk)	2 <sup>nd</sup>	2 <sup>nd</sup>	9 <sup>th</sup>	8 <sup>th</sup>
Coffee	1 <sup>st</sup>	1 <sup>st</sup>	9 <sup>th</sup>	8 <sup>th</sup>
Sugar-cane	1 <sup>st</sup>	1 <sup>st</sup>	2 <sup>nd</sup>	2 <sup>nd</sup>
Beans	1 <sup>st</sup>	1 <sup>st</sup>	3 <sup>rd</sup>	3 <sup>rd</sup>
Orange	1 <sup>st</sup>	1 <sup>st</sup>	8 <sup>th</sup>	8 <sup>th</sup>
Corn	3 <sup>rd</sup>	2 <sup>nd</sup>	5 <sup>th</sup>	3 <sup>rd</sup>
Soy bean	2 <sup>nd</sup>	2 <sup>nd</sup>	4 <sup>th</sup>	4 <sup>th</sup>
Sorghum	1 <sup>st</sup>	1 <sup>st</sup>	2 <sup>nd</sup>	1 <sup>st</sup>
Tomato	1 <sup>st</sup>	1 <sup>st</sup>	2 <sup>nd</sup>	1 <sup>st</sup>
Wheat	1 <sup>st</sup>	1 <sup>st</sup>	6 <sup>th</sup>	5 <sup>th</sup>

Source: IBGE

Compiled by: IMB / SEGPLAN-GO / Department of Systematization and Dissemination of Socioeconomic Information – 2017.

**STATE OF GOIÁS: Area, production and average yield of main agricultural products – 2016 – 2017.**

Product	2016			2017 (1)			
	Harvested Area (ha)	Production (t)	Average Yield (kg / ha)	Area planted or expected to be planted (ha)	Harvested or expected area (ha)	Achieved or Expected Production (t)	Average or Expected Yield (kg / ha)
Cotton	29,273	86,446	2,953	25,345	25,345	98,099	3,871
Rice	22,705	108,194	4,765	22,775	22,707	125,911	5,545
Sugar cane	931,342	71,061,922	76,301	1,056,824	940,019	72,974,624	77,631
Beans	143,150	330,284	2,307	149,764	149,764	367,957	2,457
Sunflower	14,869	14,267	960	16,513	16,513	24,272	1,470
Cassava	13,078	212,687	16,263	19,760	12,432	199,680	16,062
Corn	1,337,699	5,804,842	4,339	1,614,457	1,614,457	9,956,508	6,167
Soy bean	3,310,548	10,239,473	3,093	3,327,112	3,327,112	11,411,354	3,430
Sorghum	164,005	346,296	2,111	217,653	217,653	778,051	3,575
Tomato	11,452	934,658	81,615	13,876	13,876	1,235,101	89,010
Wheat dry	12,775	63,461	4,968	11,335	11,335	55,126	4,863

Source: GCEA – Group of Coordination of Farming Statistics.

Compiled by: IMB / SEGPLAN-GO / Department of Systematization and Dissemination of Socioeconomic Information – 2017.

(1) Position: september

### STATE OF GOIÁS: Municipalities with highest harvest – 2017.

Product	Production (t)	Municipality	Municipality / State (%)
Pineapple (in 1,000 fruit)	41,925	Jaraguá	65.13
Cotton	26,928	Chapadão do Céu	27.45
Garlic	22,100	Cristalina	74.62
Rice (in husk)	65,950	Flores de Goiás	52.43
Banana	25,775	Uruana	14.38
English potato	12,000	Cristalina	54.34
Rubber (coagulated latex)	5,460	Barro Alto	27.35
Coffee	2,600	Cristalina	17.75
Sugar cane	6,136,258	Quirinópolis	8.41
Onion	117,000	Cristalina	89.72
Bean (1 <sup>st</sup> , 2 <sup>nd</sup> and 3 <sup>rd</sup> harvest)	58,980	Cristalina	16.38
Sunflower	6,338	Ipameri	26.04
Guava	2,415	Morrinhos	63.20
Orange	20,070	Itaberaí	13.74
Cassava	7,955	Bela Vista de Goiás	3.98
Passion fruit	150,000	Uruana	57.25
Corn (1 <sup>st</sup> , 2 <sup>nd</sup> and 3 <sup>rd</sup> harvest)	1,551,600	Rio Verde	15.60
Soy bean	1,102,500	Rio Verde	9.66
Sorghum	157,500	Paraúna	20.27
Tomato	288,000	Cristalina	23.14
Wheat	30,840	Cristalina	55.98

Source: IBGE.

Compiled by: IMB / SEGPLAN-GO / Department of Systematization and Dissemination of Socioeconomic Information – 2017.

### STATE OF GOIÁS: Ranking of grain production per microregion – 2016.

Microregion	Grain Production (t)	Share (%)	Ranking
<b>State of Goiás</b>	<b>16,976,994</b>	<b>100.00</b>	
013 – Sudoeste de Goiás	7,266,558	42.80	1 <sup>st</sup>
012 - Entorno de Brasília	2,726,363	16.06	2 <sup>nd</sup>
015 - Meia Ponte	1,610,752	9.49	3 <sup>rd</sup>
017 - Catalão	1,334,366	7.86	4 <sup>th</sup>
014 - Vale do Rio dos Bois	1,112,478	6.55	5 <sup>th</sup>
016 - Pires do Rio	1,053,518	6.21	6 <sup>th</sup>
004 – Porangatu	263,296	1.55	7 <sup>th</sup>
005 - Chapada dos Veadeiros	262,644	1.55	8 <sup>th</sup>
003 – Aragarças	238,295	1.40	9 <sup>th</sup>
007 – Anápolis	208,082	1.23	10 <sup>th</sup>
010 – Goiânia	185,110	1.09	11 <sup>th</sup>
011 - Vão do Paranã	160,870	0.95	12 <sup>th</sup>
018 - Quirinópolis	119,133	0.70	13 <sup>th</sup>
006 – Ceres	114,472	0.67	14 <sup>th</sup>
009 – Anicuns	98,735	0.58	15 <sup>th</sup>
002 - Rio Vermelho	96,742	0.57	16 <sup>th</sup>
001 – São Miguel do Araguaia	91,871	0.54	17 <sup>th</sup>
008 – Iporá	33,710	0.20	18 <sup>th</sup>

Source: IBGE.

Compiled by: IMB / SEGPLAN-GO / Department of Systematization and Dissemination of Socioeconomic Information – 2017.

**STATE OF GOIÁS: Ranking the 25 municipalities with the highest irrigated by pivots – 2015.**

Municipalities	Number of Pivots	Total area by municipalities (ha)	Mean (ha)	Ranking	
				For area of occupancy of the pivots	For a number of pivots
<b>STATE OF GOIÁS</b>	<b>3,502</b>	<b>250,885.43</b>	<b>71.64</b>	-	-
Cristalina	716	57,307.19	80.04	1 <sup>st</sup>	1 <sup>st</sup>
Distrito Federal	218	13,519.83	62.02	2 <sup>nd</sup>	2 <sup>nd</sup>
Jussara	114	12,638.13	110.86	3 <sup>rd</sup>	5 <sup>th</sup>
Paraúna	133	8,555.99	64.33	4 <sup>th</sup>	4 <sup>th</sup>
Morrinhos	160	8,021.55	50.13	5 <sup>th</sup>	3 <sup>rd</sup>
Luziânia	103	7,587.37	73.66	6 <sup>th</sup>	7 <sup>th</sup>
Água Fria de Goiás	90	7,443.84	82.71	7 <sup>th</sup>	9 <sup>th</sup>
Campo Alegre de Goiás	104	7,347.43	70.65	8 <sup>th</sup>	6 <sup>th</sup>
Rio Verde	81	6,996.05	86.37	9 <sup>th</sup>	10 <sup>th</sup>
Ipameri	57	5,514.16	96.74	10 <sup>th</sup>	16 <sup>th</sup>
Catalão	67	5,149.06	76.85	11 <sup>th</sup>	12 <sup>th</sup>
Itaberaí	100	4,983.98	49.84	12 <sup>th</sup>	8 <sup>th</sup>
Cabeceiras	59	4,531.73	76.81	13 <sup>th</sup>	14 <sup>th</sup>
Goiatuba	57	4,244.02	74.46	14 <sup>th</sup>	17 <sup>th</sup>
Vicentinópolis	74	3,934.74	53.17	15 <sup>th</sup>	11 <sup>th</sup>
Silvânia	59	3,734.52	63.30	16 <sup>th</sup>	15 <sup>th</sup>
Palmeiras de Goiás	64	3,341.97	52.22	17 <sup>th</sup>	13 <sup>th</sup>
Pontalina	45	2,812.13	62.49	18 <sup>th</sup>	18 <sup>th</sup>
Turvelândia	26	2,516.69	96.80	19 <sup>th</sup>	26 <sup>th</sup>
Niquelândia	25	2,395.67	95.83	20 <sup>th</sup>	27 <sup>th</sup>
Acreúna	29	2,351.21	81.08	21 <sup>th</sup>	21 <sup>th</sup>
Santa Fé de Goiás	19	2,303.88	121.26	22 <sup>th</sup>	39 <sup>th</sup>
Montes Claros de Goiás	22	2,268.28	103.10	23 <sup>th</sup>	32 <sup>th</sup>
Santa Helena de Goiás	23	2,140.12	93.05	24 <sup>th</sup>	30 <sup>th</sup>
Formosa	29	2,125.00	73.28	25 <sup>th</sup>	22 <sup>th</sup>
Demais municípios	1,028	67,120.88	65.29	-	-

Source: IMB/ Management Cartography and GIS / SEMARH / SRH

Compiled by: IMB / SEGPLAN-GO / Department of Systematization and Dissemination of Socioeconomic Information – 2017.

## 6 – CATTLE RAISING

### STATE OF GOIÁS, Midwest and Brazil: Main livestock and milk production – 2000 – 2016.

Product	Goiás		Midwest		Brazil		Ranking Goiás/Brazil	
	2000	2016	2000	2016	2000	2016	2000	2016
Cattle (heads)	18,399,222	22,879,411	59,641,301	75,072,762	169,875,524	218,225,177	4 <sup>th</sup>	3 <sup>rd</sup>
Pigs (heads)	1,174,360	1,988,478	2,801,698	5,962,440	31,562,111	39,950,320	10 <sup>th</sup>	6 <sup>th</sup>
Poultry (heads)	26,444,415	69,071,040	67,139,531	173,191,448	848,515,354	1,367,390,712	7 <sup>th</sup>	6 <sup>th</sup>
Milch cows (heads)	2,006,038	2,237,872	2,876,586	3,068,734	17,885,019	19,678,817	2 <sup>nd</sup>	2 <sup>nd</sup>
Milk production (1,000 l)	2,193,799	2,933,441	3,080,121	3,972,433	19,767,206	33,624,651	2 <sup>nd</sup>	5 <sup>th</sup>

Source: IBGE.

Compiled by: IMB / SEGPLAN-GO / Department of Systematization and Dissemination of Socioeconomic Information – 2017.

### STATE OF GOIÁS: Main livestock and milk production – 2006 – 16 (heads).

Year	Cattle	Pigs	Poultry	Milch cows	Milk production (1,000 l)
2006	20,646,560	1,516,285	42,488,945	2,293,105	2,613,622
2007	20,471,490	1,537,430	44,415,670	2,286,190	2,638,568
2008	20,466,360	1,592,760	47,750,990	2,363,068	2,873,541
2009	20,874,943	1,929,062	53,717,123	2,441,165	3,003,182
2010	21,347,881	2,046,727	55,156,362	2,479,869	3,193,731
2011	21,744,650	2,049,376	61,179,904	2,615,611	3,482,041
2012	22,045,776	2,016,444	59,653,837	2,692,841	3,546,329
2013	21,580,398	2,060,360	61,267,358	2,723,594	3,776,803
2014	21,538,072	2,016,940	70,119,312	2,658,373	3,684,341
2015	21,887,720	2,033,914	64,604,285	2,544,301	3,518,057
2016	22,879,411	1,988,478	69,071,040	2,237,872	2,933,441

Source: IBGE.

Compiled by: IMB / SEGPLAN-GO / Department of Systematization and Dissemination of Socioeconomic Information – 2017.

**STATE OF GOIÁS and Brazil: Slaughter of cattle, pigs and poultry – 2011 – 17 (herds).**

Year	Goiás			Brazil		
	Cattle	Pigs	Poultry	Cattle	Pigs	Poultry
2011	2,701,839	1,936,134	318,833,364	28,813,923	34,861,640	5,269,322,761
2012	2,922,751	2,012,543	322,285,423	31,117,549	35,979,434	5,242,665,514
2013	3,466,231	1,877,029	339,633,927	34,412,070	36,065,562	5,613,069,258
2014	3,409,851	1,742,707	335,992,507	33,904,793	37,118,766	5,495,440,286
2015	3,060,939	1,765,662	373,965,280	30,642,297	39,263,336	5,794,543,718
2016(1)	2,821,463	1,830,677	358,405,299	29,668,976	42,315,933	5,860,316,609
2016(1)	1,532,384	895,093	188,954,985	14,811,288	21,095,222	2,912,987,092

Source: IBGE.

Compiled by: IMB / SEGPLAN-GO / Department of Systematization and Dissemination of Socioeconomic Information – 2017.

Note: Data are from slaughterhouses under federal, state or municipal sanitary inspection.

(1)- January to july.

**STATE OF GOIÁS: Livestock of cattle, pigs and poultry per microregion – 2016.**

Microregion	Cattle			Pigs			Poultry		
	Heads	Share (%)	Ranking	Heads	Share (%)	Ranking	Heads	Share (%)	Ranking
<b>STATE OF GOIÁS</b>	<b>22,879,411</b>	<b>100</b>		<b>1,988,478</b>	<b>100</b>		<b>69,071,040</b>	<b>100</b>	
001 - São Miguel do Araguaia	2,180,746	9.53	2 <sup>nd</sup>	22,490	1.13	15 <sup>th</sup>	157,890	0.23	15 <sup>th</sup>
002 - Rio Vermelho	1,865,723	8.15	4 <sup>th</sup>	35,564	1.79	13 <sup>th</sup>	1,123,120	1.63	9 <sup>th</sup>
003 - Aragarças	931,100	4.07	11 <sup>th</sup>	19,620	0.99	16 <sup>th</sup>	108,600	0.16	17 <sup>th</sup>
004 - Porangatu	2,142,050	9.36	3 <sup>rd</sup>	58,280	2.93	10 <sup>th</sup>	431,900	0.63	12 <sup>th</sup>
005 - Chapada dos Veadeiros	468,642	2.05	18 <sup>th</sup>	13,472	0.68	18 <sup>th</sup>	434,762	0.63	11 <sup>th</sup>
006 - Ceres	1,250,152	5.46	8 <sup>th</sup>	69,874	3.51	8 <sup>th</sup>	555,660	0.8	10 <sup>th</sup>
007 - Anápolis	1,016,757	4.44	10 <sup>th</sup>	88,236	4.44	4 <sup>th</sup>	9,618,776	13.93	4 <sup>th</sup>
008 - Iporá	785,559	3.43	15 <sup>th</sup>	23,000	1.16	14 <sup>th</sup>	136,344	0.2	16 <sup>th</sup>
009 - Anicuns	826,150	3.61	14 <sup>th</sup>	70,017	3.52	7 <sup>th</sup>	1,972,968	2.86	8 <sup>th</sup>
010 - Goiânia	681,035	2.98	17 <sup>th</sup>	81,742	4.11	5 <sup>th</sup>	4,362,086	6.32	6 <sup>th</sup>
011 - Vão do Paranã	897,676	3.92	13 <sup>th</sup>	14,026	0.71	17 <sup>th</sup>	238,972	0.35	14 <sup>th</sup>
012 - Entorno de Brasília	1,510,787	6.6	6 <sup>th</sup>	105,845	5.32	2 <sup>nd</sup>	2,957,650	4.28	7 <sup>th</sup>
013 - Sudoeste de Goiás	2,629,100	11.49	1 <sup>st</sup>	1,065,420	53.58	1 <sup>st</sup>	17,682,400	25.6	1 <sup>st</sup>
014 - Vale do Rio dos Bois	1,018,670	4.45	9 <sup>th</sup>	92,560	4.65	3 <sup>rd</sup>	396,384	0.57	13 <sup>th</sup>
015 - Meia Ponte	1,610,950	7.04	5 <sup>th</sup>	78,130	3.93	6 <sup>th</sup>	10,831,060	15.68	3 <sup>rd</sup>
016 - Pires do Rio	744,900	3.26	16 <sup>th</sup>	60,500	3.04	9 <sup>th</sup>	13,331,100	19.3	2 <sup>nd</sup>
017 - Catalão	917,730	4.01	12 <sup>th</sup>	50,940	2.56	11 <sup>th</sup>	4,633,230	6.71	5 <sup>th</sup>
018 - Quirinópolis	1,401,684	6.13	7 <sup>th</sup>	38,762	1.95	12 <sup>th</sup>	98,138	0.14	18 <sup>th</sup>

Source: IBGE.

Compiled by: IMB / SEGPLAN-GO / Department of Systematization and Dissemination of Socioeconomic Information – 2017.

**STATE OF GOIÁS: Municipalities with biggest livestock and highest milk and egg production – 2014 – 16.**

Product	Municipality	2014		2015		2016		Municipality / State (%)		
		Quantity	Rank	Quantity	Rank	Quantity	Rank	2014	2015	2016
Cattle (heads)	Nova Crixás	751,000	1 <sup>st</sup>	738,647	1 <sup>st</sup>	752,833	1 <sup>st</sup>	3.49	3.37	3.29
Pigs (heads)	Rio Verde	760,000	1 <sup>st</sup>	770,000	1 <sup>st</sup>	765,000	1 <sup>st</sup>	37.68	37.86	38.47
Poultry (heads)	Rio Verde	13,300,000	1 <sup>st</sup>	14,000,000	1 <sup>st</sup>	11,000,000	1 <sup>st</sup>	18.97	21.67	15.93
Milk Production (1,000 l)	Orizona	82,500	4 <sup>th</sup>	90,000	4 <sup>th</sup>	88,000	1 <sup>st</sup>	4.20	3.76	3.00
Egg Production (1,000 dz.)	Inhumas	45,051	1 <sup>st</sup>	45,360	1 <sup>st</sup>	48,865	1 <sup>st</sup>	22.31	23.08	23.85

Source: IBGE.

Compiled by: IMB / SEGPLAN-GO / Department of Systematization and Dissemination of Socioeconomic Information – 2017.

GOIÁS RANKING IN THE BRAZILIAN MARKET						
Atividade	Production (t)			Participation(%)	Ranking	
	Brazil	Goiás	Product			
Agricultura set/17	2.145.532	778.051	Sorghum	36,26	1°	
	4.396.129	1.235.101	Tomato	28,10	1°	
	131.699	29.663	Garlic	22,52	2°(MG)	
	3.368.218	367.957	Bean	10,92	3° (PR, MG)	
	719.364.603	72.974.624	Sugar cane	10,14	2° (SP)	
	99.547.463	9.956.508	Corn	10,00	3° (MT, PR)	
	115.062.174	11.411.354	Soy bean	9,92	4° (MT, PR, RS)	
	3.825.902	98.099	Cotton	2,56	4° (MT, BA,MS)	
	244.757.836	22.793.806	Grain Production	9,31	4° (MT, PR, RS)	
Livestock 2016	19.678.817	2.237.872	Dairy Cows (cab)	11,37	2° (MG)	
	218.225.177	22.879.411	Cattle (cab)	10,48	3° (MT, MG)	
	33.624.651	2.933.441	Milk Production (1,000 l)	8,72	5° (MG, RS, PR, SC)	
	39.950.320	1.988.478	Pigs (cab)	4,98	6° (RS, SC, PR, MG, MT)	
	1.367.390.712	69.071.040	Birds (cab)	5,05	6° (PR, SP, SC, RS, MG)	
Mining 2014	311.228	311.228	Asbestos	100,00	1°	
	56.444	52.001	Vermiculite	92,13	1°	
	167.063	75.956	Nickel	45,47	1°	
	6.514.000	2.425.709	Fosphate	37,24	2° (MG)	
	301.197	65.574	Copper	21,77	2° (PA)	
	88.771	12.773	Niobium	14,39	2° (MG)	
	81,000	7,766	Gold	9,59	2° (MG)	

Preparation: IMB / SEGPLAN-GO / Department of Systematization and Dissemination of Socioeconomic Information – 2017.



## 7 – INDUSTRY

### STATE OF GOIÁS: Industrial business registered at the State Treasury Secretary according to type and size- Position: September/2017.

Specification	Total	Micro/Small	Medium	Big	Not informed
<b>Total</b>	<b>14,711</b>	<b>13,683</b>	<b>680</b>	<b>330</b>	<b>18</b>
Construction, mining and machinery	3,215	3,005	156	47	7
Alcohol and sugar	72	24	8	40	0
Food	1,797	1,727	62	8	0
Drinks	106	84	14	8	0
Biofuels (except ethanol)	4	1	0	3	0
Footwear	486	474	6	6	0
Meat	203	126	51	26	0
Fuel derived from oil and coke	36	14	8	14	0
Tobacco	11	11	0	0	0
Dairy	236	170	43	23	0
Lubrificantes	1	1	0	0	0
Medicines and hospital products	72	34	21	13	4
Furniture, electronics, cinefoto, sound and cooling	1,176	1,141	28	5	2
Vehicles and parts	372	352	15	5	0
Clothing	4,745	4,684	46	10	5
The agribusiness industry	627	421	112	94	0
Generating electricity	55	21	20	14	0
Chemicals, prod, hygiene and cleaning, stationery, packaging and other	1,479	1,377	89	13	0
Transmitting electrical energy	18	16	1	1	0

Source: State Treasury Secretary.

Compiled by: IMB / SEGPLAN-GO / Department of Systematization and Dissemination of Socioeconomic Information – 2017.

Note: Gross annual income:

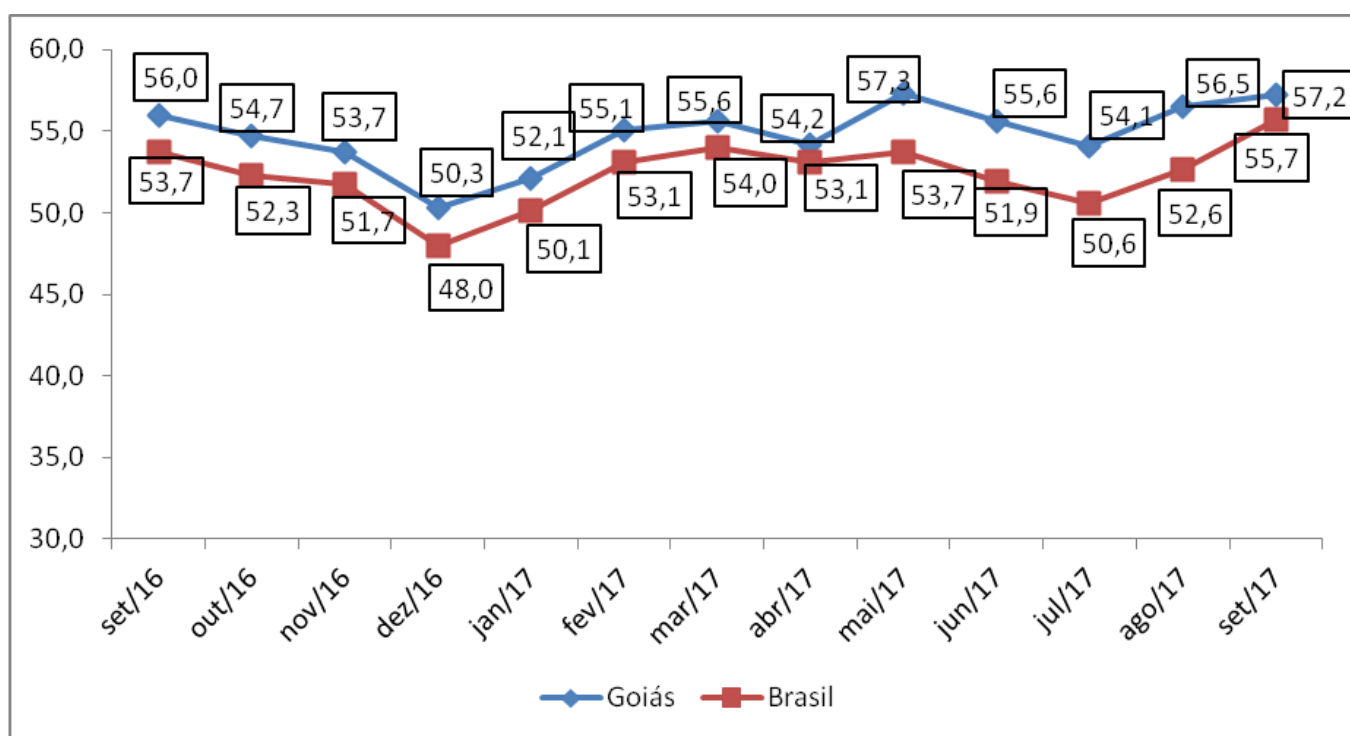
Micro / small: Equal R\$ 240,000,00 and less than R\$ 1,800,000,00

Medium: More than R\$ 1,800,000,00 and less than R\$ 36,000,000,00

Big: Equal or more than R\$ 36,000,000,00

Not informed Establishment without gross income information

## Industrial Entrepreneur Confidence Index – ICEI – 2016-2017 (%).



Source: FIEG / DEC.

Compiled by: IMB / SEGPLAN-GO / Department of Systematization and Dissemination of Socioeconomic Information - 2017.

Note: Indicators range from 0 to 100. Values above 50 indicate confident entrepreneurs

## STATE OF GOIÁS and Brazil: Physical-Industrial Production – 2016 - 2017.

Specification	Variation rate (%) (1)												
	2016				2017								
	Sep	Oct	Nov	Dec	Jan	Feb	Mar	Apr	May	Jun	Jul	Aug	Accumulated in the year o
Goiás	-4.2	-7.6	-13.0	-8.8	10.1	1.9	7.6	-6.9	1.1	0.3	0.6	2.4	1.5
Brazil	-4.4	-7.5	-1.4	-0.2	1.8	-0.4	1.9	-4.3	4.5	0.9	2.9	4.0	1.5

Source: IBGE.

Compiled by: IMB / SEGPLAN-GO / Department of Systematization and Dissemination of Socioeconomic Information – 2017.

Preliminary

(1)Baseline value: same month of the previous year = 100

**STATE OF GOIAS: Destilleries - Outubro/2017.**

Municipality	Distillery	Situation
Anicuns	Anicuns S/A Álcool e Derivados	Operation
Aporé	Nardini Agroindustrial Ltda	Expected production
Cachoeira Dourada	SJC - Bioenergia S/A - Usina Cachoeira Dourada	Operation
Caçu	Rio Claro Agroindustrial S/A - Odebrechet Agroindustrial	Operation
Carmo do Rio Verde	CRV Industrial Ltda	Operation
Chapadão do Céu	Cerradinho Bioenergia S/A	Operation
Edéia	BP Bioenergia Tropical S/A	Operation
Goianésia	Jalles Machado S/A	Operation
	Jalles Machado S/A - Unidade Otávio Lage	Operation
	Usina Goianésia S/A	Operation
Goiatuba	Bom Sucesso Agroindústria Ltda	Operation
	Goiasa - Goiatuba Álcool Ltda	Operation
Inhumas	Centroálcool S/A - CENASA	Operation
Ipameri	LASA Lago Azul S/A	Operation
Itapaci	Vale Verde Empreendimentos Agrícolas Ltda	Operation
Itapuranga	Vale Verde Empreendimentos Agrícolas Ltda	Suspended operation
Itumbiara	BP Bioenergia Itumbiara Ltda	Operation
	Usina Panorama S/A	Operation
Jandaia	Denusa–Destilaria Nova União S/A	Operation
Jataí	RAIZEN Centrooeste Açúcar e Álcool Ltda	Operation
Mineiros	Brenco –Usina Morro Vermelho -Odebrechet Agroindustrial	Operation
Montes Claros de Goiás	EBER Bioenergia e Agricultura Ltda	Operation
Morrinhos	CEM - Central Energética Morrinhos S/A	Operation
Paraúna	Usina Nova Gália Ltda	Operation
Perolandia	Brenco –Usina Perolândia -Odebrechet Agroindustrial)	Operation
Porteirão	Usina São Paulo Energia e Etanol S/A	Suspended operation
Quirinópolis	SJC Bioenergia S/A - Usina São Francisco	Operation
	Usina Boa Vista S/A	Operation
Rio Verde	Usina Rio Verde Ltda (Decal)	Operation
Rubiataba	Cooperativa Agroindustrial de Rubiataba Ltda	Operation
Santa Helena de Goiás	Usina Santa Helena Açúcar e Álcool	Operation
	Cambui Açúcar e Álcool Ltda	Operation
Santo Antônio da Barra	Floresta S/A Açúcar e Álcool	Operation
São Simão	Energética São Simão S/A	Operation
Serranópolis	Energética Serranópolis Ltda	Operation
Turvelândia	Vale do VerdãoS/A Açúcar e Álcool	Operation
Uruaçu	Uruaçu Açúcar e Álcool Ltda	Operation
Vicentinópolis	Caçu Com Ind Açúcar e Álcool Ltda	Operation
Vila Boa	CBB – Companhia Bioenergética Brasileira	Operation

Fonte: SIFAEG.

Compiled by: IMB / SEGPLAN-GO / Department of Systematization and Dissemination of Socioeconomic Information – 2017.

Summary: 36 Operation

1 Expected production

2 Suspended operation

**STATE OF GOIAS: Destilleries in operation, production of sugar cane, ethanol and sugar - 2010 – 17.**

Year	Destillery	Production		
		Sugar cane (t)	Ethanol (thousand liters)	Sugar (t)
2010	36	48,000,163	2,895,249	1,798,391
2011	34	54,903,085	2,675,292	1,752,398
2012	37	58,348,797	3,130,577	1,875,260
2013	37	69,307,411	3,887,830	1,890,648
2014	37	69,377,930	4,226,854	1,997,114
2015	37	70,412,725	4,678,570	1,892,230
2016	35	70,493,478	4,303,710	2,101,731
2017 (1)	36	72,974,624	4,145,048	2,335,599

Source: SIFAEG for ethanol and sugar and IBGE for sugarcane.

Compiled by: IMB / SEGPLAN-GO / Department of Systematization and Dissemination of Socioeconomic Information – 2017.

(1)- Preliminary

## 8 – TRADE AND SERVICES

### Brazil, Midwest, STATE OF GOIÁS and largest cities: Local units of companies and total working staff in 12/31 – 2013 – 15.

Specification	Number of local units			Total working staff		
	2013	2014	2015	2013	2014	2015
<b>Brazil</b>	<b>5,874,465</b>	<b>5,589,526</b>	<b>5,603,592</b>	<b>55,166,521</b>	<b>55,263,992</b>	<b>53,541,695</b>
<b>Midwest</b>	<b>453,409</b>	<b>436,291</b>	<b>442,263</b>	<b>4,561,819</b>	<b>4,618,135</b>	<b>4,474,227</b>
<b>STATE OF GOIÁS</b>	<b>182,129</b>	<b>175,579</b>	<b>179,491</b>	<b>1,645,974</b>	<b>1,646,924</b>	<b>1,623,217</b>
Goiânia	63,408	61,265	62,929	690,377	678,744	668,262
Aparecida de Goiânia	9,539	9,390	9,841	132,333	130,670	119,910
Anápolis	10,231	10,015	9,914	105,508	109,278	107,526
Rio Verde	6,065	5,764	5,910	56,861	57,534	57,307
Itumbiara	3,881	3,725	3,657	31,301	31,629	31,748
Catalão	3,432	3,612	3,543	29,490	29,679	28,512
Caldas Novas	3,473	3,551	3,553	24,102	25,508	26,620
Luziânia	3,679	3,420	3,270	25,563	25,408	25,028
Jataí	2,995	2,713	2,676	20,872	20,997	21,296
Valparaíso de Goiás	2,459	2,338	2,374	17,098	18,974	18,290
Senador Canedo	1,558	1,481	1,531	17,369	18,709	18,251
Goianésia	2,070	1,960	2,234	14,684	15,340	16,277
Mineiros	1,943	1,675	1,732	16,816	17,625	16,133
Formosa	2,607	2,585	2,601	16,688	16,491	16,017

Source: IBGE / Companies Central Registration.

Compiled by: IMB / SEGPLAN-GO / Department of Systematization and Dissemination of Socioeconomic Information – 2017.

### STATE OF GOIÁS: Opening of established companies, according to legal status – 2007 – 17.

Year	Total	Individual	Joint-Stock	Limited	Cooperative	Individual limited liability company	Individual microentrepreneur	Others
2007	19,128	7,614	142	11,319	44	-	-	9
2008	23,252	9,904	60	13,225	48	-	-	15
2009	25,654	11,972	32	13,590	51	-	-	9
2010	23,716	9,978	55	13,616	45	-	-	22
2011	23,896	10,041	47	13,753	40	-	-	15
2012	28,163	8,309	53	12,241	30	1,697	5,810	23
2013	22,961	7,460	64	11,666	56	3,683	-	32
2014	20,004	5,597	39	9,334	42	4,991	-	1
2015	18,688	4,973	44	7,857	24	5,788	-	2
2016	17,909	4,284	40	6,840	35	6,706	-	4
2017 (1)	15,616	3,869	26	5,390	24	6,306	-	1

Source: Commercial Union of the State of Goiás.

Compiled by: IMB / SEGPLAN-GO / Department of Systematization and Dissemination of Socioeconomic Information – 2017.

(1) - January to september.

**STATE OF GOIÁS: Closing of established companies, according to legal status – 2007 – 17.**

Year	Total	Individual	Joint-Stock	Limited	Cooperative	Individual limited liability company	Individual microentrepreneur	Others
2007	4,460	2,594	3	1,859	4	-	-	-
2008	7,283	4,249	5	3,021	5	-	-	3
2009	8,903	4,914	1	3,982	5	-	-	1
2010	10,538	5,996	4	4,529	6	-	-	3
2011	9,905	6,068	-	3,831	5	-	-	1
2012	9,116	5,569	-	3,523	5	18	(*)	1
2013	9,057	5,248	4	3,699	4	99	-	3
2014	6,997	3,125	6	3,632	2	231	-	1
2015	8,214	3,355	9	4,321	2	527	-	-
2016	11,040	4,033	6	6,006	4	991	-	-
2017 (1)	8,939	3,255	4	4,648	4	1,026	-	2

Source: Commercial Union of the State of Goiás.

Compiled by: IMB / SEGPLAN-GO / Department of Systematization and Dissemination of Socioeconomic Information – 2017.

(\*) – It is with the individual company.

(1) - January to september.

**STATE OF GOIÁS: Checks issued – 2007 – 17.**

Year	Checks (quantity - 1,000)			Checks (R\$ millions)		
	Paid	Returned	No cover	Paid	Returned	No cover
2007	53,971.2	4,363.2	3,995.8	36,601.5	3,826.7	3,370.4
2008	49,677.9	4,019.1	3,580.2	40,249.0	4,199.2	3,586.0
2009	44,502.5	3,962.8	3,551.4	38,100.0	4,484.7	3,879.3
2010	41,924.7	3,227.7	2,830.8	41,017.3	4,147.4	3,487.6
2011	39,936.1	3,389.9	2,983.9	44,421.7	5,004.5	4,197.3
2012	34,830.5	3,185.1	2,786.7	42,811.9	5,271.8	4,393.0
2013	30,371.5	2,829.3	2,475.2	41,501.7	5,204.1	4,395.3
2014	28,529.7	2,639.6	2,234.2	43,117.7	5,508.6	4,416.5
2015	28,490.5	2,897.0	2,431.3	45,706.6	6,351.5	5,082.3
2016	25,152.6	2,665.4	2,219.1	41,821.3	6,143.9	4,750.7
2017 (1)	16,372.0	1,560.4	1,258.4	28,449.2	3,813.9	2,873.3

Source: Central Bank of Brazil.

Compiled by: IMB / SEGPLAN-GO / Department of Systematization and Dissemination of Socioeconomic Information – 2017.

(1) Position: January to september.

**STATE OF GOIÁS: Companies as per business activity and size, according to the number of employees – 2011 - 16.**

Business Activity	Number of companies					
	2011	2012	2013	2014	2015	2016
<b>Total</b>	<b>138,846</b>	<b>143,228</b>	<b>150,927</b>	<b>157,578</b>	<b>159,780</b>	<b>157,973</b>
Micro	130,422	134,364	141,659	148,153	150,598	149,193
Small	6,920	7,274	7,636	7,798	7,584	7,294
Medium	1,231	1,316	1,337	1,334	1,299	1,214
Big	273	274	295	293	299	272
Farming	28,123	27,604	28,197	28,772	29,045	29,036
Micro	27,731	27,198	27,760	28,346	28,613	28,590
Small	333	344	370	360	368	380
Medium	51	55	59	58	56	58
Big	8	7	8	8	8	8
Industry	13,383	14,127	14,872	15,479	15,469	14,945
Micro	11,719	12,347	13,049	13,681	13,723	13,336
Small	1,366	1,465	1,498	1,476	1,427	1,314
Medium	231	245	247	236	235	219
Big	67	70	78	86	84	76
Civil Construction	6,815	7,336	7,981	8,280	7,530	6,668
Micro	6,030	6,494	7,108	7,429	6,887	6,089
Small	654	686	733	729	528	491
Medium	120	145	131	113	109	82
Big	11	11	9	9	6	6
Trade	51,618	53,356	56,121	58,452	59,130	58,255
Micro	49,512	51,183	53,903	56,150	56,944	56,194
Small	1,912	1,956	1,995	2,083	1,982	1,858
Medium	188	208	213	210	194	195
Big	6	9	10	9	10	8
Services	38,907	40,805	43,756	46,595	48,606	49,069
Micro	35,430	37,142	39,839	42,547	44,431	44,984
Small	2,655	2,823	3,040	3,150	3,279	3,251
Medium	641	663	687	717	705	660
Big	181	177	190	181	191	174

Source: Ministry of Labor and Employment / RAIS.

Compiled by: IMB / SEGPLAN-GO / Department of Systematization and Dissemination of Socioeconomic Information – 2017.

Note:     Micro: up to 19 employees  
           Small: from 20 to 99 employees  
           Medium: from 100 to 499 employees  
           Big: over 500 employees

## 9 – BALANCE OF TRADE

### STATE OF GOIÁS and Brazil: Balance of Trade – 2007 – 17 (US\$ 1,000 FOB).

Year	Goiás			Brazil		
	Exports	Imports	Balance	Exports	Imports	Balance
2007	3,184,780	1,701,925	1,482,855	160,649,073	120,617,446	40,031,627
2008	4,091,752	3,050,197	1,041,555	197,942,443	172,984,768	24,957,675
2009	3,614,964	2,852,690	762,273	152,994,742	127,722,343	25,272,399
2010	4,044,638	4,175,313	-130,674	201,915,276	181,768,427	20,146,848
2011	5,605,193	5,728,434	-123,241	256,039,366	226,246,756	29,792,610
2012	7,314,578	5,124,612	2,189,966	242,572,846	223,183,477	19,389,369
2013	7,042,674	4,840,052	2,202,662	242,033,575	239,747,516	2,286,059
2014	6,979,884	4,419,215	2,560,669	225,100,885	229,154,463	-4,053,578
2015	5,878,263	3,363,219	2,515,043	191,134,325	171,449,051	19,685,274
2016	5,930,087	2,641,535	3,288,552	185,235,401	137,552,003	47,683,398
2017 (1)	5,327,955	2,456,579	2,871,376	164,603,680	111,328,144	53,275,536

Source: Department of Development, Industry and Foreign Trade.

Compiled by: IMB / SEGPLAN-GO / Department of Systematization and Dissemination of Socioeconomic Information – 2017.

Note: Data revised in december 2007, Preliminary

(1) January to september.

## 10 – POWER

### STATE OF GOIÁS: Number of power consumers according to category – 2009 – 17.

Year	Total	Residence	Industry	Trade	Rural	Public Authority	Public Light	Public Service	Private
2009	2,242,143	1,838,563	10,620	211,394	163,099	15,604	587	1,951	325
2010	2,337,769	1,924,828	11,027	215,841	166,877	16,221	643	2,017	315
2011	2,438,243	2,016,123	11,183	220,574	170,604	16,719	648	2,091	301
2012	2,539,005	2,110,607	11,434	223,142	173,384	17,325	651	2,161	301
2013 (1)	2,647,721	2,214,307	11,338	223,587	177,535	17,784	640	2,241	289
2014 (1)	2,750,111	2,310,336	10,943	225,770	181,386	18,393	657	2,351	275
2015 (1)	2,838,425	2,396,462	10,573	226,398	183,807	17,843	656	2,417	269
2016(1)	2,860,978	2,424,124	10,023	220,162	185,270	17,951	656	2,534	258
2017(1)(2)	2,877,589	2,440,370	9,835	220,004	185,933	17,977	656	2,557	257

Source: Central Eletric of Goiás / São Patrício Hydroelectrical Company.

Compiled by: IMB / SEGPLAN-GO / Department of Systematization and Dissemination of Socioeconomic Information – 2017.

(1) Not included basic network.

(2) January to april.



**STATE OF GOIÁS: Power consumption according to category – 2009 – 17 (Mwh).**

Year	Total	Residence	Industry	Trade	Rural	Public Authority	Public Light	Public Service	Private
2009	9,956,980	2,994,196	3,148,019	1,712,703	961,304	327,251	492,310	313,682	7,516
2010	10,871,505	3,297,525	3,354,745	1,866,995	1,142,199	354,406	511,782	336,469	7,383
2011	11,333,953	3,500,143	3,482,077	1,976,302	1,141,264	361,296	521,140	344,831	6,900
2012	12,157,442	3,806,250	3,727,884	2,124,258	1,216,253	383,020	534,322	359,152	6,302
2013 (1)	11,255,211	4,059,439	2,366,259	2,239,777	1,250,686	407,665	558,077	367,470	5,838
2014 (1)	12,765,142	4,334,301	3,363,526	2,355,657	1,311,238	436,759	574,745	382,444	6,472
2015 (1)	12,949,933	4,488,179	3,325,683	2,404,210	1,278,211	441,853	625,037	380,840	5,920
2016(1)	12,976,752	4,469,853	3,255,789	2,329,251	1,406,788	440,766	674,421	394,416	5,468
2017(1)(2)	8,510,219	3,032,969	2,113,642	1,583,846	762,773	301,522	452,112	259,606	3,750

Source: Central Eletric of Goiás / São Patrício Hydroelectrical Company / SEINFRA.

Compiled by: IMB / SEGPLAN-GO / Department of Systematization and Dissemination of Socioeconomic Information – 2017.

(1) Not included basic network

(2) January to april.

**STATE OF GOIÁS: Energy Balance – 2002 – 12 (10<sup>3</sup> Mwh).**

Year	Generated Energy		Total	Energy Exported	Losses	Total Consumption
	Hydraulic	Thermal				
2002	16,857	353	17,210	9,809	965	6,436
2003	20,954	231	21,185	13,191	958	7,036
2004	22,705	291	22,996	13,980	936	8,080
2005	23,809	298	24,107	14,352	936	8,819
2006	27,553	257	27,810	17,855	974	8,981
2007	27,492	512	28,004	17,733	1,113	9,158
2008	24,329	897	25,226	14,456	1,270	9,500
2009	22,115	1,189	23,304	12,294	1,291	9,719
2010	28,003	1,463	29,466	17,644	1,290	10,532
2011	31,526	2,428	33,954	21,500	1,492	10,962
2012	38,413	2,163	40,576	27,222	1,627	11,727

Source: Infrastructure Secretariat of the State of Goiás / Telecommunications and Power Supervision.

Compiled by: IMB / SEGPLAN-GO / Department of Systematization and Dissemination of Socioeconomic Information – 2017.

Note: At the survey of the production of hydraulic energy was taking into account 50% of the energy generated at the plants located on border rivers.

## 11 - TRANSPORTATION

### STATE OF GOIÁS: Highway Network – November/2016 (Km).

Category	Total	Planned	Constructing	Unpaved	Paving	Paved	Pista Dupla Paved
<b>Total</b>	<b>27,979.4</b>	<b>3,985.8</b>	-	<b>7,333.4</b>	<b>2,008.7</b>	<b>14,803.0</b>	<b>1,278.7</b>
Federal	6,314.7	2,661.6	-	252.2	151.5	3,400.9	765.8
State Passing	1,739.3	-	-	217.8	70.6	1,450.9	44.9
State	19,925.4	1,324.2	-	6,863.4	1,786.6	9,951.2	468.0

Source: Transportation and Workmanship Agency of Goiás..

Compiled by: IMB / SEGPLAN-GO / Department of Systematization and Dissemination of Socioeconomic Information – 2017.  
Preliminary

### GOIÂNIA: Boarding and Landing of passengers and freight at Goiânia airport – 2007 – 17.

Year	Passengers		Freight (tons)
	Boarding	Landing	
2007	778,658	767,818	4,689
2008	774,885	780,300	5,430
2009	879,898	880,115	5,645
2010	1,175,007	1,173,641	5,097
2011	1,399,641	1,402,361	6,678
2012	1,541,037	1,537,796	6,469
2013	1,512,537	1,488,923	7,697
2014	1,685,901	1,677,291	5,599
2015	1,664,862	1,647,428	5,470
2016	1,518,865	1,494,256	4,724
2017 (1)	641,367	735,695	2,606

Source: Brazilian Airport Infrastructure Company.

Compiled by: IMB / SEGPLAN-GO / Department of Systematization and Dissemination of Socioeconomic Information – 2017.  
(1) January to july.

### STATE OF GOIÁS and Goiânia: Amount of registered automotive vehicles per inhabitant – Pos.10/30/2017.

Specification	Amount of Vehicles	Population (inhabitants) (1)	Vehicles / 100 inhabitants
State of Goiás	3,778,355	6,778,772	55.74
Goiânia	1,181,162	1,466,105	80.56

Source: DETRAN-GO / IBGE.

Compiled by: IMB / SEGPLAN-GO / Department of Systematization and Dissemination of Socioeconomic Information – 2017.  
(1) Estimated in 07/01/2017

## 12 - EDUCATION

### STATE OF GOIÁS: Number of schools, classrooms and teachers in full activity – 2013 – 16.

Type	Schools (1)				Classrooms				Teachers in full activity (2)			
	2013	2014	2015	2016	2013	2014	2015	2016	2013	2014	2015	2016
<b>Total</b>	<b>4,525</b>	<b>4,552</b>	<b>4,586</b>	<b>4,685</b>	<b>38,101</b>	<b>39,129</b>	<b>40,315</b>	<b>39,904</b>	<b>59,631</b>	<b>60,842</b>	<b>60,197</b>	<b>66,703</b>
Federal	16	18	27	27	397	420	528	541	929	1,056	1,372	1,357
State	1,052	1,051	1,050	1,069	9,337	9,384	9,443	9,122	19,318	19,307	18,206	19,158
Municipal	2,364	2,383	2,407	2,444	17,029	17,684	18,021	17,835	28,939	29,351	29,293	29,897
Privater	1,093	1,100	1,102	1,145	11,338	11,641	12,323	12,406	15,324	15,785	15,891	16,291

Source: Secretary of Education.

Compiled by: IMB / SEGPLAN-GO / Department of Systematization and Dissemination of Socioeconomic Information – 2017.

(1) The same school can offer one or more level of education.

(2) The same teacher can teach at more than one school and/or level of education.

### STATE OF GOIÁS: Registered students according to education level – 2007 – 16.

Year	Total students	Creche	Preschool	Elementary School	High School	Technical School (medium level)	Special	Youths & adults
2007	1,487,126	38,303	93,808	960,166	272,086	13,277	16,751	92,735
2008	1,462,653	42,330	104,342	934,804	262,535	13,073	21,626	83,943
2009	1,455,475	43,293	107,471	930,630	265,945	15,561	16,963	75,612
2010	1,458,120	45,950	112,799	915,568	268,903	16,048	18,430	80,422
2011	1,434,363	49,334	117,144	897,686	262,713	16,564	21,412	69,510
2012	1,431,096	52,272	120,822	895,633	259,827	18,124	23,579	60,839
2013	1,430,561	56,225	126,989	882,172	258,243	20,008	23,985	62,939
2014	1,440,549	63,313	135,489	874,030	256,602	23,467	25,408	62,240
2015	1,440,298	68,923	137,912	887,009	256,201	39,908	26,858	58,732
2016	1,440,908	73,597	147,188	887,526	247,506	32,842	29,347	60,703

Source: Ministry of Education / INEP / Secretary of Education.

Compiled by: IMB / SEGPLAN-GO / Department of Systematization and Dissemination of Socioeconomic Information – 2017.

**STATE OF GOIÁS, Midwest and Brazil: Number of schools, registrations and teachers at university level – 2014 – 16.**

Region	University Education								
	Schools			Registrations			Teachers		
	2014	2015	2016	2014	2015	2016	2014	2015	2016
Goiás	84	85	88	210,018	209,158	204,345	13,510	13,559	13,934
Midwest	239	235	240	611,927	617,317	606,523	35,975	36,479	37,469
Brazil	2,368	2,364	2,407	6,486,171	6,633,545	6,554,283	396,595	401,299	397,611

Source: Ministry of Education / Anísio Teixeira National Institute of Studies and Educational Researches.

Compiled by: IMB / SEGPLAN-GO / Department of Systematization and Dissemination of Socioeconomic Information – 2017.

**STATE OF GOIÁS, Midwest and Brazil: Number of higher education institutions according to academic structure and location – 2014 – 16.**

Specification	Institutions														
	Total			Universities			Academic Centers			Colleges			CEFET and IFET		
	2014	2015	2016	2014	2015	2016	2014	2015	2016	2014	2015	2016	2014	2015	2016
<b>Goiás</b>	<b>84</b>	<b>85</b>	<b>88</b>	<b>4</b>	<b>4</b>	<b>4</b>	<b>4</b>	<b>4</b>	<b>4</b>	<b>74</b>	<b>75</b>	<b>78</b>	<b>2</b>	<b>2</b>	<b>2</b>
Public	8	8	8	3	3	3	1	1	1	2	2	2	2	2	2
Federal	3	3	3	1	1	1	-	-	-	-	-	-	2	2	2
State	1	1	1	1	1	1	-	-	-	-	-	-	-	-	-
Municipal	4	4	4	1	1	1	1	1	1	2	2	2	-	-	-
Private	76	77	80	1	1	1	3	3	3	72	73	76	-	-	-
<b>Midwest</b>	<b>239</b>	<b>235</b>	<b>240</b>	<b>14</b>	<b>14</b>	<b>14</b>	<b>14</b>	<b>14</b>	<b>15</b>	<b>206</b>	<b>202</b>	<b>206</b>	<b>5</b>	<b>5</b>	<b>5</b>
Public	20	19	19	9	9	9	1	1	1	5	4	4	5	5	5
Federal	10	10	10	5	5	5	-	-	-	-	-	-	5	5	5
State	5	5	5	3	3	3	-	-	-	2	2	2	-	-	-
Municipal	5	4	4	1	1	1	1	1	1	3	2	2	-	-	-
Private	219	216	221	5	5	5	13	13	14	201	198	202	-	-	-
<b>Brazil</b>	<b>2,368</b>	<b>2,364</b>	<b>2,407</b>	<b>195</b>	<b>195</b>	<b>197</b>	<b>147</b>	<b>149</b>	<b>166</b>	<b>1,986</b>	<b>1,980</b>	<b>2,004</b>	<b>40</b>	<b>40</b>	<b>40</b>
Public	298	295	296	111	107	108	11	9	10	136	139	138	40	40	40
Federal	107	107	107	63	63	63	-	-	-	4	4	4	40	40	40
State	118	120	123	38	38	39	2	1	1	78	81	83	-	-	-
Municipal	73	68	66	10	6	6	9	8	9	54	54	51	-	-	-
Private	2,070	2,069	2,111	84	88	89	136	140	156	1,850	1,841	1,866	-	-	-

Source: Ministry of Education / Anísio Teixeira National Institute of Studies and Educational Researches.

Compiled by: IMB / SEGPLAN-GO / Department of Systematization and Dissemination of Socioeconomic Information – 2017.

CEFET and IFET – Federal Center of Technological Education and the Federal Office of Education, Science and Technology

**STATE OF GOIÁS, Midwest and Brazil: Illiteracy rate of people of 15 years and over – 2011 – 15.**

Region	Illiteracy rate of people of 15 years and over (%)				
	2011	2012	2013	2014	2015
Goiás	7.17	7.29	7.05	7.68	6.09
Midwest	6.34	6.70	6.51	6.45	5.69
Brazil	8.59	8.67	8.52	8.27	7.95

Source: IBGE / PNAD.

Compiled by: IMB / SEGPLAN-GO / Department of Systematization and Dissemination of Socioeconomic Information – 2017.

**STATE OF GOIÁS, Midwest and Brazil: Illiteracy rate of people of 10 years and over – 2011 – 15.**

Region	Illiteracy rate of people of 10 years and over (%)				
	2011	2012	2013	2014	2015
Goiás	6.60	6.70	6.49	7.05	5.60
Midwest	5.78	6.13	5.98	5.93	5.24
Brazil	7.90	7.98	7.87	7.68	7.38

Source: IBGE / PNAD.

Compiled by: IMB / SEGPLAN-GO / Department of Systematization and Dissemination of Socioeconomic Information – 2017.

**STATE OF GOIÁS: Illiteracy rate of people of 10 years and over, according to residence - 2011 – 15. (%)**

Situation	Literate	Illiterate	Undefined
<b>2011</b>			
<b>Total</b>	<b>93.40</b>	<b>6.60</b>	-
Urban	93.67	6.33	-
Rural	90.29	9.71	-
<b>2012</b>			
<b>Total</b>	<b>93.28</b>	<b>6.70</b>	-
Urban	93.86	6.14	-
Rural	87.00	13.00	-
<b>2013</b>			
<b>Total</b>	<b>93.51</b>	<b>6.49</b>	-
Urban	93.88	6.14	-
Rural	89.54	10.46	-
<b>2014</b>			
<b>Total</b>	<b>92.94</b>	<b>7.05</b>	-
Urban	93.43	6.59	-
Rural	87.77	12.23	-
<b>2015</b>			
<b>Total</b>	<b>94.40</b>	<b>5.60</b>	-
Urban	94.74	5.28	-
Rural	90.81	9.19	-

Source: IBGE.

Compiled by: IMB / SEGPLAN-GO / Department of Systematization and Dissemination of Socioeconomic Information – 2017.

## 13 – PUBLIC SANITATION

### STATE OF GOIÁS: Water Supply and Sewerage System – 2007 – 17.

Year	Water					Sewerage				
	Population serviced (thou inhab)	Population serviced (%)	Distribution System (thou m)	Volume (thou m³/year)		Population serviced (thou inhab)	Population serviced (%)	Distribution System (thou m)	Volume (thou m³/year)	
				Produced	Billed				Produced	Billed
2007	4,128	85	19,845	321,840	200,013	1,749	36	5,916	96,024	75,994
2008	4,330	86	20,345	320,951	205,115	1,872	37	6,242	99,188	77,961
2009	4,465	87	20,705	327,005	209,499	1,997	39	6,575	103,133	88,577
2010	4,602	90	21,444	346,664	228,252	2,015	39	6,731	111,788	97,199
2011	4,729	91	22,021	357,253	237,165	2,134	41	7,280	116,541	101,701
2012	4,887	94	22,796	368,737	252,179	2,298	44	9,202	125,483	109,475
2013	5,173	94	23,865	377,024	260,790	2,487	45	9,392	132,253	117,296
2014	5,292	95	24,330	389,359	269,842	2,718	49	9,545	140,494	125,201
2015	5,409	96	24,849	386,688	263,385	2,903	52	9,605	141,736	126,217
2016	5,484	97	27,543	384,618	263,268	3,108	55	10,065	144,803	131,274
2017 (1)	5,551	97	27,999	273,937	172,378	3,250	57	10,050	97,428	88,228

Source: Goiás Sanitation S/A.

Compiled by: IMB / SEGPLAN-GO / Department of Systematization and Dissemination of Socioeconomic Information – 2017.

(1) Position: september. The information regarding volume refer to the period of january to september.

### STATE OF GOIÁS: Water pipe connections according to category – 2007 – 17.

Year	Total	Residence	Trade	Industry	Public	Social	Commercial 2
2007	1,248,696	1,063,381	46,498	12,348	18,007	87,989	20,473
2008	1,320,373	1,129,110	54,325	14,840	18,754	84,975	18,369
2009	1,391,219	1,180,013	64,791	18,383	19,887	86,611	21,534
2010	1,475,989	1,264,314	71,527	22,031	20,931	78,177	19,009
2011	1,570,974	1,355,424	78,425	24,970	22,041	72,671	17,443
2012	1,665,813	1,456,337	88,152	27,644	22,872	57,331	13,477
2013	1,761,328	1,545,762	95,867	29,430	23,664	54,766	11,839
2014	1,857,106	1,644,717	105,772	30,394	24,379	42,932	8,912
2015	1,941,424	1,730,601	113,254	30,397	25,017	34,407	7,748
2016	2,021,783	1,811,866	120,023	29,044	25,437	29,372	6,041
2017 (1)	2,074,004	1,861,789	125,942	28,629	24,562	27,471	5,661

Source: Goiás Sanitation S/A.

Compiled by: IMB / SEGPLAN-GO / Department of Systematization and Dissemination of Socioeconomic Information – 2017.

(1) Position: september.

**STATE OF GOIÁS: Water pipe meters according to category – 2007 – 17.**

Year	Total	Residence	Trade	Industry	Public	Social	Commercial 2
2007	1,436,354	1,208,823	65,639	13,411	21,756	90,984	35,741
2008	1,510,217	1,276,169	76,157	16,091	22,608	87,915	31,277
2009	1,583,901	1,334,857	81,788	19,820	22,866	90,103	34,467
2010	1,666,581	1,417,914	89,396	23,698	23,878	81,185	30,510
2011	1,762,883	1,510,113	97,550	26,951	24,976	75,438	27,855
2012	1,862,084	1,615,279	109,528	29,657	25,931	59,675	22,014
2013	1,959,395	1,706,230	118,130	31,825	26,787	57,006	19,417
2014	2,062,286	1,812,019	130,549	32,686	27,632	44,562	14,838
2015	2,146,901	1,898,420	138,974	32,528	28,330	35,850	12,799
2016	2,227,925	1,981,380	144,591	30,836	28,815	30,669	9,634
2017 (1)	2,278,567	2,029,633	153,130	30,324	27,920	28,686	8,874

Source: Goiás Sanitation S/A.

Compiled by: IMB / SEGPLAN-GO / Department of Systematization and Dissemination of Socioeconomic Information – 2017.

(1) Position: september.

**14 – PUBLIC HEALTH**

**STATE OF GOIÁS, Midwest and Brazil: Hospital, Beds, Registered establishments and Health professional – Position: september/2017.**

Especification	Registered Establishments	Health professional	Beds (1)		
			Total	SUS	Not SUS
Goiás	9,656	79,621	19,676	11,789	7,887
Midwest	22,359	214,282	42,188	26,062	16,126
Brazil	308,683	2,691,710	495,005	333,722	161,283

Source: Ministry of Health.

Compiled by: IMB / SEGPLAN-GO / Department of Systematization and Dissemination of Socioeconomic Information – 2017.

(1) Hospital beds plus additional ICU beds

## 15 – SOCIAL INDICES

### STATE OF GOIÁS, Midwest and Brazil: Total fertility rate, gross birthrate, infant mortality rate and life expectancy at birth – 2000 and 2016.

Region	Total fertility rate (1)		Gross birthrate (2)		Infant mortality rate (3)		Life expectancy at birth	
	2000	2016	2000	2016	2000	2016	2000	2016
Goiás	2.20	1.59	21.40	13.45	23.90	14.93	71.4	74.2
Midwest	2.30	1.67	21.50	14.31	23.30	14.36	71.8	75.1
Brazil	2.40	1.69	21.40	13.87	30.10	13.29	70.4	75.7

Source: IBGE.

Compiled by: IMB / SEGPLAN-GO / Department of Systematization and Dissemination of Socioeconomic Information – 2017.

(1) Average number of live-born children per woman

(2) Number of live-born children per 1,000 inhabitants

(3) Number of deceased per 1,000 live-born infants

### STATE OF GOIÁS and Brazil: Municipal Human Development Index -1991, 2000 and 2015.

Especificação	IDH-M			IDH-M Longevity			IDH-M Education			IDH-M Income			Ranking		
	1991	2000	2015	1991	2000	2015	1991	2000	2015	1991	2000	2015	1991	2000	2015
Goiás	0.487	0.615	0.756	0.668	0.773	0.817	0.278	0.439	0.724	0.633	0.686	0.728	9º	9º	10º
Brazil	0.492	0.612	0.761	0.662	0.727	0.841	0.278	0.456	0.713	0.647	0.692	0.729	-	-	-

Fonte: PNUD / IPEA / FJP / IBGE.

Compiled by: IMB / SEGPLAN-GO / Department of Systematization and Dissemination of Socioeconomic Information – 2017.

Note: There was a change in the methodology for calculating the IDHM compared to previous publication. Values IDHM 1999 and 2000 have been recalculated based on the new methodology. Therefore comparisons between indicators and analysis should be made only within the platform Atlas Brazil 2013.

Classification according IDH: Very high (above de 0,800)  
High (0,700 to 0,799)  
Medium (0,600 to 0,699)  
Low (0,500 to 0,599)  
Very low (0 to 0,500)



## 16 - EMPLOYMENT

### STATE OF GOIÁS, Midwest and Brazil: Variation of the employment level – 2015 – 17.

Region	2015			2016			2017 (1)		
	Admissions	Dismissals	Balance	Admissions	Dismissals	Balance	Admissions	Dismissals	Balance
Goiás	655,573	680,124	-24,551	557,337	376,691	-19,354	450,971	405,192	45,779
Midwest	1,676,252	1,743,260	-67,008	1,406,160	1,473,470	-67,310	1,124,259	1,042,225	82,034
Brazil	17,707,267	19,249,638	-1,542,371	14,738,646	16,000,640	-1,321,994	11,262,961	11,054,087	208,874

Source: Ministry of Labor and Employment.

Compiled by: IMB / SEGPLAN-GO / Department of Systematization and Dissemination of Socioeconomic Information – 2017.

(1) –January to september.

### STATE OF GOIÁS: Balance of the variation of employment level according to the economic activity, as per municipality - 2016 – 2017.

Economic Activity	Estado de Goiás		Anápolis		Aparecida de Goiânia		Goiânia		Rio Verde	
	Balance(jan-sep)		Balance(jan-sep)		Balance(jan-sep)		Balance(jan-sep)		Balance(jan-sep)	
	2016	2017	2016	2017	2016	2017	2016	2017	2016	2017
<b>Total</b>	<b>15,358</b>	<b>45,779</b>	<b>1,389</b>	<b>-1,946</b>	<b>3,433</b>	<b>531</b>	<b>6,693</b>	<b>-4,464</b>	<b>1,926</b>	<b>-384</b>
Extractive/ Mineral	-418	246	-5	-3	-7	-13	-2	63	7	3
Manufacture Ind,	4,247	12,541	348	-770	626	-287	647	-973	667	-1,154
Public utilities	301	187	-109	13	78	-15	-136	270	293	-3
Civil Construction	3,509	6,091	211	-13	1,379	1,669	2,535	47	-78	90
Trade	-6,824	3,014	-94	-631	482	-461	225	-3,972	-22	-156
Services	3,842	13,724	1,039	-504	857	-349	3,403	160	798	432
Public Administr,	-50	-124	0	0	0	-1	15	-107	0	0
Farming	10,751	10,100	-1	-38	18	-12	6	48	261	404

Source: Ministry of Labor and Employment.

Compiled by: IMB / SEGPLAN-GO / Department of Systematization and Dissemination of Socioeconomic Information – 2017.

Note: Variation of employment level

Balance indicates the difference between admissions and dismissals during a fixed period of time

### STATE OF GOIÁS, Midwest and Brazil: Number of formal jobs and average pay – 2013 -16.

Region	Formal Jobs (thousand)				Average pay (R\$)			
	2013	2014	2015	2016	2013	2014	2015	2016
Goiás	1,509	1,514	1,501	1,446	1,791.11	2,039.90	2,186.88	2,397.96
Midwest	4,240	4,294	4,212	4,102	2,438.12	2,762.27	3,027.99	3,283.70
Brazil	48,948	49,571	48,061	46,060	2,073.45	2,352.42	2,541.18	2,731.61

Source: Ministry of Labor and Employment./ RAIS.

Compiled by: IMB / SEGPLAN-GO / Department of Systematization and Dissemination of Socioeconomic Information – 2017.

Note: There was an error in RAIS in the year 2012 in the city of Alexânia-GO, Microregion Surrounding the DF, specifically in the activity of Repair and Maintenance of Motor Vehicles. Thus the municipality were subtracted 10,724 jobs for correction.

## STATE OF GOIÁS: Number of formal jobs – 2013 – 16.

Economic Activity	2013	2014	2015	2016	Absolute Change 2016/2015	Variation (%)2016/2015
<b>Total</b>	<b>1,509,395</b>	<b>1,514,532</b>	<b>1,501,397</b>	<b>1,445,943</b>	<b>-55,454</b>	<b>-3.69</b>
Extractive/ Mineral	8,749	8,595	8,811	7,947	-864	-9.81
Manufacture Ind,	248,639	251,031	238,040	224,819	-13,221	-5.55
Public utilities	11,389	12,285	12,452	12,637	185	1.49
Civil Construction	84,238	77,684	66,594	56,146	-10,448	-15.69
Trade	293,555	303,640	300,080	288,821	-11,259	-3.75
Services	428,189	448,603	451,878	443,970	-7,908	-1.75
Public Administr,	344,659	322,157	330,608	316,201	-14,407	-4.36
Farming	89,977	90,537	92,934	95,402	2,468	2.66

Source: Ministry of Labor and Employment.

Compiled by: IMB / SEGPLAN-GO / Department of Systematization and Dissemination of Socioeconomic Information – 2017.

Note: There was an error in RAIS in the year 2012 in the city of Alexânia-GO, Microregion Surrounding the DF, specifically in the activity of Repair and Maintenance of Motor Vehicles. Thus the municipality were subtracted 10,724 jobs for correction.

## STATE OF GOIÁS: People of 10 years and over and economically active population (PEA) - 2005 – 15.

(thou inhabitants)

Year	Resident Population	People of 10 years and over	Economically Active Population (PEA)	Proportion of PEA / Resident Population (%)
2005	5,676	4,678	2,971	52.34
2006	5,778	4,827	3,015	52.18
2007	5,874	4,933	3,173	54.02
2008	5,965	5,009	3,251	54.50
2009	6,053	5,104	3,357	55.46
2010 (1)	6,004	5,093	3,158	52.60
2011	6,218	5,306	3,313	53.28
2012	6,296	5,386	3,347	53.16
2013	6,456	5,563	3,433	53.17
2014	6,544	5,634	3,515	53.71
2015	6,631	5,731	3,557	53.64

Source: IBGE.

Compiled by: IMB / SEGPLAN-GO / Department of Systematization and Dissemination of Socioeconomic Information – 2017.

(1) For 2010 Census. Intercenso PNAD.

Note: The data in this table were reweighted by the 2008 revision of population projections, by IBGE, including the trend from 2000 to 2010.

## STATE OF GOIÁS, Midwest and Brazil: People 10 years or older, working at the week in question, according to the income classes of all jobs – 2015.

(thou inhabitants)

Nominal Income	Goias	(%)	Midwest	(%)	Brazil	(%)
<b>Total</b>	<b>3,277</b>	<b>100.00</b>	<b>7,642</b>	<b>100.00</b>	<b>95,380</b>	<b>100.00</b>
Up to 1 Minimum Salaries	762	23.25	1,441	18.86	24,456	25.64
From 1 to 2 Minimum Salaries	1,312	40.04	2,993	39.17	35,006	36.70
From 2 to 3 Minimum Salaries	487	14.86	1,143	14.96	11,943	12.52
From 3 to 5 Minimum Salaries	323	9.86	812	10.63	8,326	8.73
From 5 to 10 Minimum Salaries	190	5.80	611	8.00	5,494	5.76
From 10 to 20 Minimum Salaries	47	1.43	228	2.98	1,916	2.01
Over 20 Minimum Salaries	10	0.31	72	0.94	533	0.56
No Income	117	3.57	280	3.66	6,196	6.50
Undeclared	28	0.85	63	0.82	1,512	1.59

Source: IBGE

Compiled by: IMB / SEGPLAN-GO / Department of Systematization and Dissemination of Socioeconomic Information – 2017.

(1) Including those who received only some kind of social benefit.

Note: The data in this table were reweighted by the 2008 revision of population projections, by IBGE, including the trend from 2000 to 2010.

**STATE OF GOIÁS, Midwest and Brazil: Value of monthly income and Gini Index of all income sources for employed people over 15 years old – 2013 - 15.**

Region	Average income of employed people – (R\$)			Gini Index (1)		
	2013	2014	2015	2013	2014	2015
Goiás	1,600	1,634	1.726	0.458	0.433	0.421
Midwest	1,930	1,995	2.127	0.505	0.487	0.481
Brazil	1,539	1,644	1.737	0.495	0.490	0.485

Source: IBGE.

Compiled by: IMB / SEGPLAN-GO / Department of Systematization and Dissemination of Socioeconomic Information – 2017.

(1) Measures the degree of concentration of distribution, whose value varies from zero (perfectly equal) to one (maximum inequality).

(2) People of 15 years and over.

Note: The data in this table were reweighted by the 2008 revision of population projections, by IBGE, including the trend from 2000 to 2010.

**STATE OF GOIÁS, Midwest and Brazil: Economically Active Population (PEA) – 2005– 15.**

(thou inhabitants)

Year	Goiás	Midwest	Brazil	Share (%)	
				Goiás / Midwest	Goiás / Brazil
2005	2,971	7,025	95,747	42.29	3.10
2006	3,015	7,094	96,890	42.50	3.11
2007	3,173	7,381	97,875	42.99	3.24
2008	3,251	7,568	99,479	42.96	3.27
2009	3,357	7,752	101,073	43.30	3.32
2010 (1)	3,158	7,365	93,505	42.88	3.38
2011	3,313	7,786	100,223	42.55	3.31
2012	3,347	7,875	100,979	42.50	3.31
2013	3,433	7,979	103,401	43.03	3.32
2014	3,515	8,304	106,824	42.33	3.29
2015	3,557	8,234	105,519	42.94	3.37

Source: IBGE.

Compiled by: IMB / SEGPLAN-GO / Department of Systematization and Dissemination of Socioeconomic Information – 2017.

(1) For 2010 Census. Intercenso PNAD.

Note: The data in this table were reweighted by the 2008 revision of population projections, by IBGE, including the trend from 2000 to 2010.

## 17 - PUBLIC FINANCE

### STATE OF GOIÁS: Gross revenue – 2007 – 17 (R\$ thousand).

Year	Total	Taxes					Other Revenue
		Total	ICMS	IPVA	ITCD	Other Taxes	
2007	8,623,466	5,799,062	5,449,414	306,360	38,256	5,032	2,824,404
2008	10,356,686	7,023,955	6,538,716	354,010	56,222	75,009	3,332,731
2009	10,685,179	7,461,040	6,810,431	437,757	62,303	150,549	3,224,139
2010	12,797,893	8,940,598	8,170,085	526,868	69,346	174,299	3,857,296
2011	17,161,476	10,808,682	9,875,178	630,034	101,597	201,873	6,352,794
2012	18,964,509	12,415,479	11,369,285	695,508	138,639	212,047	6,549,030
2013	19,883,417	13,426,642	12,137,751	796,867	159,329	332,695	6,456,774
2014	22,198,908	14,645,884	13,252,854	914,365	181,374	297,291	7,553,024
2015	22,196,570	15,398,097	13,745,217	1,063,052	301,091	288,736	6,798,474
2016	23,548,150	16,315,021	14,334,661	1,319,626	249,219	411,515	7,233,128
2017 (1)	13,115,647	12,501,824	11,007,531	929,131	200,318	364,844	613,823

Source: State Treasury Secretary.

Compiled by: IMB / SEGPLAN-GO / Department of Systematization and Dissemination of Socioeconomic Information – 2017.

(1) January to september.

ICMS – Tax on Transit of Goods and Services

IPVA – Tax on Automotive Vehicles

ITCD - Tax Transfer Cause Mortis and Donation of any goods or Rights

### STATE OF GOIÁS: ICMS - Wholesale Distributing Trading – 2014 – 17 (R\$) .

Specification	2014	2015	2016	2017 (1)
<b>ESTADO DE GOIÁS</b>	<b>13,252,854,013.35</b>	<b>13,745,216,759.11</b>	<b>14,334,660,670.02</b>	<b>11,007,531,321.64</b>
Trade and Wholesale Distributor	1,963,901,747.29	1,915,911,972.69	2,110,911,186.79	1,700,447,359.99
Retail Commerce	1,525,722,387.66	1,514,043,468.89	1,626,758,062.80	1,359,332,335.09
Mineral or fossil extraction	146,688,354.71	120,473,812.49	95,279,232.71	53,190,720.90
Industry	2,571,201,398.92	2,606,687,618.01	2,576,728,064.66	2,036,900,301.73
Services	257,977,370.88	275,649,510.31	293,900,806.76	227,185,125.71
Farming	211,701,049.44	216,981,107.49	230,567,526.54	165,123,259.16
Combustible	3,490,243,647.09	3,575,692,873.27	3,805,961,600.68	2,964,200,937.00
Communication	1,037,887,326.12	1,048,065,526.23	1,054,362,936.66	841,317,218.89
Electric Power	1,564,521,497.12	2,025,817,126.06	2,084,798,171.01	1,294,294,023.05
Outthers	483,009,234.12	445,893,743.67	455,393,081.41	365,540,040.12

Source: State Treasury Secretary.

Compiled by: IMB / SEGPLAN-GO / Department of Systematization and Dissemination of Socioeconomic Information – 2017.

(1) January to september.

## 18 – STATE BUDGET

### STATE OF GOIAS: Budget Consolidation - 2017. (R\$ thousand)

Budgets	Treasure	Other Sources	Total	%
<b>Fiscal Budget</b>	<b>17,828,185</b>	<b>2,911,853</b>	<b>20,740,038</b>	<b>82.86</b>
Direct Administration	12,301,360	201,250	12,502,610	49.95
Indirect Administration	1,497,083	115,486	1,612,569	6.44
Special Funds	4,029,742	2,595,117	6,624,859	26.47
<b>Budget and Social Security</b>	<b>2,106,930</b>	<b>1,515,033</b>	<b>3,621,963</b>	<b>14.47</b>
Direct Administration	5,290	9,340	14,630	0.06
Indirect Administration	40	1,278,298	1,278,338	5.11
Special Funds	2,101,600	227,395	2,328,995	9.30
<b>Investment Budget of State Enterprises</b>	<b>-</b>	<b>668,656</b>	<b>668,656</b>	<b>2.67</b>
<b>Grand Total</b>	<b>19,935,115</b>	<b>5,095,542</b>	<b>25,030,657</b>	<b>100.00</b>

Source: SEPLAN / GO / Budget Law of the State of Goiás - 2017

Compiled by: Institute Mauro Borges / SEGPLAN-GO / Department of Systematization and Dissemination of Socioeconomic Information - 2017.

### STATE OF GOIAS: Statement of Social Security Budget. revenue per organ. as the sources of funds and economic categories - 2017 (R\$ thousand).

Organs/Units	Source		Economic category		Total
	Treasure	Others	Current	Capital	
<b>Direct Administration</b>					
Secretary of Women and Social Development. the Racial Equality. the work of the Human Rights	290	9,340	550	9,080	9,630
Secretary of Health	5,000	-	5,000	-	5,000
<b>Indirect Administration</b>					
Care Institute of Public Servants of the State of Goiás - Ipasgo	-	1,225,000	1,137,970	87,030	1,225,000
Goiás Security - GOIASPREV	40	53,298	46,428	6,910	53,338
<b>Special Funds</b>					
Social Assistance Fund - FEAS	43,470	4,127	47,129	468	47,597
State Fund for the Rights Of The Child and Adolescent - FECAD	20	20	40	-	40
State Health Fund - FES	2,058,110	216,098	2,121,373	152,835	2,274,208
Special Fund for the Management of State Public Health School of Goiás Candido Santiago - FUNGESP	-	7,150	6,084	1,066	7,150
<b>Total</b>	<b>2,106,930</b>	<b>1,515,033</b>	<b>3,364,574</b>	<b>257,389</b>	<b>3,621,963</b>

Source: SEPLAN / GO / Budget Law of the State of Goiás - 2017

Compiled by: Institute Mauro Borges / SEGPLAN-GO / Department of Systematization and Dissemination of Socioeconomic Information - 2017.

**STATE OF GOIAS: Spending in 2015 and Fixed Expenses in 2016 (R\$ thousand).**

Discrimination	Expenditure in 2015	Fixed expense in 2016
<b>Current Expenditure</b>	<b>18,628,551</b>	<b>18,946,877</b>
Staff and social charges	12,506,911	12,141,895
Interest and debt service charges	1,009,269	900,500
Other current expenditure	5,112,371	5,904,482
<b>Capital expenditure</b>	<b>3,224,839</b>	<b>4,558,731</b>
Investment	1,491,719	3,390,304
Financial investments	89,019	94,449
Amortization of debt	1,644,101	1,073,978
<b>Contingency reserve</b>	<b>-</b>	<b>879,675</b>
<b>Total</b>	<b>21,853,390</b>	<b>24,385,283</b>

Source: SEPLAN / GO / Budget Law of the State of Goiás - 2017

Compiled by: Institute Mauro Borges / SEGPLAN-GO / Department of Systematization and Dissemination of Socioeconomic Information – 2017.

Source: SEPLAN / GO / Budget Law of the State of Goiás - 2017

Compiled by: Institute Mauro Borges / SEGPLAN-GO / Department of Systematization and Dissemination of Socioeconomic Information - 2017.

(1)- estimated

**STATE OF GOIAS: Evolution of General Revenue Collected - 2013 - 17 (R\$ million).**

Specification	2013	2014	2015	2016 <sup>(1)</sup>	2017 <sup>(1)</sup>
Current revenue	17,646	18,787	20,33	22,94	23,756
Tax revenue	13,34	14,14	15,512	17,674	18,089
Taxes	13,264	14,137	15,511	17,672	18,021
Taxes free yield and patrimony	1,783	1,832	2,427	2,56	2,99
Taxes free income and earnings of any nature	856	822	1,101	1,142	1,313
Taxes without ownership of Motor Vehicles	771	844	1,029	1,151	1,314
Transfer tax	155	166	296	267	363
Tax without the production and circulation	11,481	12,306	13,084	15,112	15,032
Fee	77	3	1	2	68
Patrimony revenue	134	100	46	59	73
Agricultural Revenue	0	0	0	0	0
Revenue from services	0	0	0	0	23
Current transfers	3,818	4,105	4,452	4,844	5,161
Other current revenue	353	440	320	362	409
Capital revenue	1,346	2,751	742	2,213	1,815
Credit operations	1,344	2,341	556	1,954	475
Disposal of property	0	410	0	259	1,057
Other capital revenue	1	0	186	0	283
Deductions	-5,627	-5,994	-6,499	-7,433	-7,561
Total revenue of the treasury	13,364	15,544	14,573	17,72	18,01
Total transfer agreements	102	641	53	325	211
Total revenue for autarchy and foundations	1,995	3,301	1,68	2,261	2,056
(Exclusive treasury transfers)					
Total revenue from special funds	1,685	1,848	3,602	4,079	4,086
(Exclusive treasury transfers)					
Total revenue of the companies (estimated)	1,179	865	849	863	669
(Exclusive treasury transfers)					
<b>Total general revenue</b>	<b>18,325</b>	<b>22,199</b>	<b>20,757</b>	<b>25,249</b>	<b>25,031</b>

Source: SEPLAN / GO / Budget Law of the State of Goiás - 2017

Compiled by: Institute Mauro Borges / SEGPLAN-GO / Department of Systematization and Dissemination of Socioeconomic Information - 2017.

(1)- estimated

**STATE OF GOIAS: Fixed expenses by function of government - 2015 - 17 (R\$ thousand).**

Budget Function	Budgeted Amount 2015	Budgeted Amount 2016	Budgeted Amount 2017
<b>Total</b>	<b>24,119,477</b>	<b>24,385,283</b>	<b>24,362,001</b>
Education	4,127,428	4,394,644	4,670,481
Health	2,903,972	3,107,008	3,418,266
Administration	2,550,786	2,135,687	3,109,703
Social Security	2,318,532	2,728,187	3,073,732
Public Security	2,502,662	2,477,626	3,011,546
Special Taxes	3,685,501	2,348,718	2,280,410
Judiciary	1,093,734	1,130,739	1,321,935
Legislative	593,750	702,228	751,139
Transport	1,460,249	2,295,761	689,113
Essential to Justice	359,697	374,538	483,948
Science and Technology	498,274	465,527	386,806
Contingency Reserve	874,535	879,675	356,721
Social Assistance	187,366	225,482	207,973
Agriculture	139,395	142,826	124,787
Citizenship Rights	243,677	172,953	99,949
Urbanism	220,498	485,962	90,829
Culture	63,797	70,150	67,123
Sport and Leisure	73,046	46,240	45,337
Commerce and Services	69,656	51,090	44,658
Industry	97,837	59,885	38,072
Housing	7,960	12,536	35,202
Environmental Management	19,800	28,083	15,966
Work	14,108	23,188	13,975
Sanitation	11,160	12,230	13,870
Energy	1,330	12,620	9,210
Communication	717	1,700	1,250
Foreign	10	-	-

Source: SEPLAN / GO / SOR – Oversight of Budget and Expenses.

Compiled by: Institute Mauro Borges / SEGPLAN-GO / Department of Systematization and Dissemination of Socioeconomic Information – 2017.

**STATE OF GOIAS: Budget 2017 - Major Programs. (R\$ thousand).**

Program	Budgeted amount
<b>Total</b>	<b>131,880,078</b>
Special charges	47,158,914
Promotion Program , Prevention and Protection of Comprehensive Health Care	29,849,869
Administrative Support Program	18,650,582
Program Improvement of Physical Infrastructure, Pedagogical and Technological	12,635,607
Program Assistance to Health Ipasgo Users	6,190,560
Strategic Planning and Management Program	3,213,648
Rodovia program	2,336,472
Excellence and Equity Program - Actions for the Development and Improvement of Education	2,254,546
Contingency Reserve	1,004,793
Protection and Social Inclusion Program	671,947
Citizen Income Program	619,864
DMV Citizen Program	616,344
Program Support, Promotion and Strengthening of Goian Culture	531,036
Prison Administration Improvement Program for Promotion of resocialization	492,201
Bolsa Future Innovator	469,492
Modernization of Public Management Program	464,284
Transportation Infrastructure Program and Urban Mobility	412,912
Program Structure , Modernization and Integration of Public Security Units	353,488
Program Traffic Aware and Responsible	338,378
Other programs	3,615,141

Source: SEPLAN / GO SOR – Oversight of Budget and Expenses.

Compiled by: Institute Mauro Borges / SEGPLAN-GO / Department of Systematization and Dissemination of Socioeconomic Information - 2017.

## 19 – FINANCING AND INVESTMENTS

STATE OF GOIÁS. Midwest and Brazil: Investments – BNDES - Outlay - 2011 – 17 (R\$ thousand).					
Year	Goiás	Midwest	Brazil	Share %	
				Goiás/Midwest	Goiás/Brazil
2011	4,386,624	11,348,000	138,873,000	38.66	3.16
2012	3,145,352	20,098,081	155,992,270	15.65	2.16
2013	5,085,454	20,898,732	190,419,035	24.33	2.67
2014	5,445,174	21,630,281	187,836,869	25.13	2.90
2015	3,350,910	12,905,021	135,942,045	25.96	2.46
2016	2,360,805	10,206,850	88,256,501	23.13	2.67
2017 (1)	1,559,792	5,855,607	49,972,537	26.64	3.12

Source: Brazilian Social and Economical Development Bank.

Compiled by: IMB / SEGPLAN-GO / Department of Systematization and Dissemination of Socioeconomic Information – 2017.

(1)-January to September.

STATE OF GOIÁS: Approved projects with incentives/PRODUZIR – 2011 – 16.			
Ano	Companies	Nº of jobs	Fixed investment (R\$ thousand)
2011	73	5,810	2,018,967
2012	78	5,414	786,889
2013	108	7,374	977,103
2014	77	5,781	301,029
2015	85	3,995	254,628
2016	66	3,032	750,288

Source: SIC-GO / PRODUZIR.

Compiled by: IMB / SEGPLAN-GO / Department of Systematization and Dissemination of Socioeconomic Information – 2017.



**STATE OF GOIÁS: Approved projects with incentives/PRODUZIR by activity – Position: September/2017.**

<b>Activity</b>	<b>Companies</b>	<b>Nº of jobs</b>	<b>Fixed investment (R\$ thousand)</b>
<b>Grand total</b>	<b>56</b>	<b>1.804</b>	<b>130,080.68</b>
Industrialization, marketing, import and export of plastic articles	1	182	87,969.11
Cargo road transport, except dangerous goods and changes intermunicipal, interstate and international, etc.	8	101	10,117.42
Refrigerator, slaughterhouse, slaughter of animals; wholesale trade in bovine meat and swine and other animals	10	596	6,980.17
Food manufacturing in general, including dietary, functional, Recycling	1	107	2,419.72
Manufacture of ice	1	29	2,180.00
Import, export, industry and trade in food products	1	44	2,097.03
Waste from scrap, collection and non-hazardous waste; treatment and disposal of non-hazardous waste	1	35	2,071.43
Wholesale and retail trade	1	20	2,000.00
Manufacture of animal feed	4	52	1,759.92
Clothing made of natural fibers, mixed or artificial, footwear, articles and products of personal hygiene, etc.	1	16	1,444.38
Veterinary and chemical products; articles for agriculture and agriculture; cosmetics	1	228	1,375.00
Production of certified seeds, except grass fodder; general warehouses - warrant issue	1	26	1,334.00
Production and processing of seeds	1	10	1,040.00
Carton industry and trade, micro corrugated, corrugated, cardboard boxes, paper and packaging in general	1	10	1,000.00
Food	1	30	872.68
Assembly of agricultural implements	1	20	740.50
Manufacture of other fabricated metal products, not specified above; wholesale of hardware and tools	1	10	700.00
Manufacture of articles of cooperage and of wood packaging wholesale of packaging, etc.	1	3	668.76
Metal predominating furniture and equipment	1	19	654.12
Fertilizers and fertilizers	1	17	597.99
Cement, engineering and civil construction artifacts	1	19	434.10
Transformation industry	1	30	413.42
Storage and handling of cargoes in general	1	17	411.40
Casting of non-ferrous metals and their alloys; manufacture machinery and equipment for the clothing industry, etc.	1	9	215.00
Manufacture of cosmetics, perfumery and toilet preparations	1	3	135.00
Products of plant origin	1	9	100.00
Industrialization and trade in cheeses	1	20	80.00
Food and ready meals, breeding and fattening of fresh and saltwater fish, seafood	1	46	79.65
Manufacture of cleaning and polishing products	1	20	70.00
Optical Supplies	1	26	41.85
Spatial support in administrative support and construction materials	1	8	33.05
Trade, import and export of inputs	1	8	20.00
Belts, rubber, parts, bearings for industrial automation	1	8	15.00
Manufacture of cars, vans and utility vehicles; wholesale trade parts and accessories, etc.	1	16	10.00
Manufacture of metal containers	1	0	-
Industrialization, manipulation, commercialization, transport : distribution of poultry, cattle, swine, fish, goats, sheep, dairy, sausages, sausage, etc.	1	0	-
	1	10	-

Source: SIC-GO / PRODUZIR.

Compiled by: IMB / SEGPLAN-GO / Department of Systematization and Dissemination of Socioeconomic Information – 2017.

**STATE OF GOIÁS and Midwest: Admission programs using CFMW funds – 2016 – 2017.**

Program	Goiás				Midwest			
	Quantity		Nominal values (R\$ 1.000)		Quantity		Nominal values (R\$ 1.000)	
	2016	2017(1)	2016	2017(1)	2016	2017(1)	2016	2017(1)
<b>Total</b>	<b>12,715</b>	<b>13,825</b>	<b>1,679,617</b>	<b>1,997,031</b>	<b>29,051</b>	<b>31,182</b>	<b>4,355,423</b>	<b>5,282,253</b>
Companies	825	3,091	225,575	469,264	2,440	7,076	606,156	1,102,081
Industrial	157	477	79,491	161,220	331	932	154,615	250,056
Infrastructure	23	21	10,187	11,864	28	33	31,312	41,116
Tourism	34	144	19,585	13,193	126	399	44,819	48,093
Trade / Services / CT & I	611	2,449	116,312	282,987	1,955	5,712	375,410	762,816
Business transfer	17	5	5,796	1,513	99	112	32,812	22,354
Rural	6,551	5,268	1,145,006	1,247,613	12,117	10,194	2,750,306	3,278,782
Dev. Rural	6,535	5,248	1,140,304	1,236,371	11,942	10,078	2,651,805	3,185,589
ABC-Cons. Nature	16	19	4,702	11,142	72	80	70,152	79,044
ABC- ILPF	-	-	-	-	-	-	-	-
Retention matrices	-	1	-	99	103	36	28,348	14,149
Total PRONAF	5,211	5,361	282,227	258,187	13,836	13,204	814,564	707,019
PRONAF	4,889	4,907	274,932	249,026	12,576	12,186	788,844	687,865
PRONAF – RA	322	454	7,295	9,161	1,260	1,018	25,720	19,155
Rural – transfer	111	100	21,012	20,454	559	596	151,586	172,017

Source: Bank of Brazil / Constitutional Fund for the Midwest.

Compiled by: IMB / SEGPLAN-GO / Department of Systematization and Dissemination of Socioeconomic Information – 2017.

- CT & I: Science, Technology and Innovation

- ABC-ILPF: Low Cost Carbon Farming - Mode Crop-Livestock-Forest.

(1)-Position: september

**STATE OF GOIÁS and Midwest: Jobs created per program with resources from CFMW – 2014 – 17.**

Programa	Goiás				Midwest			
	2014	2015	2016	2017(1)	2014	2015	2016	2017(1)
<b>Total</b>	<b>166,703</b>	<b>199,226</b>	<b>200,723</b>	<b>236,880</b>	<b>599,968</b>	<b>599,590</b>	<b>563,212</b>	<b>593,387</b>
<b>Total Companies</b>	<b>40,642</b>	<b>69,497</b>	<b>12,252</b>	<b>44,903</b>	<b>181,223</b>	<b>199,073</b>	<b>32,939</b>	<b>100,667</b>
Industrial	16,855	42,922	3,996	19,822	64,146	85,686	8,337	33,096
Infrastructure	1,176	953	461	526	6,567	1,222	1,628	2,137
Tourism	16,643	20,785	6,055	22,959	89,425	94,942	20,045	57,651
Trade / Services / CT & I	5,107	4,428	1,740	1,217	18,428	15,698	2,929	4,641
Business transfer	861	409	315	379	2,657	1,525	1,577	3,142
<b>Total Rural</b>	<b>126,061</b>	<b>129,729</b>	<b>188,156</b>	<b>191,684</b>	<b>418,745</b>	<b>400,517</b>	<b>528,696</b>	<b>492,720</b>
Dev. Rural(1)	74,502	62,840	128,311	134,663	218,831	193,167	303,766	330,790
ABC-Cons. Nature	2,249	333	543	1,292	22,193	6,049	8,155	9,186
Retention of matrices	-	-	-	-	2,139	410	410	410
Total PRONAF	43,672	63,805	59,069	55,729	138,443	179,201	174,600	148,369
PRONAF	5,427	2,493	51,779	46,582	35,733	19,986	149,268	129,439
PRONAF – RA	211	258	7,290	9,147	1,406	1,704	25,332	18,930
<b>Rural – transfer</b>	<b>166,703</b>	<b>199,226</b>	<b>233</b>	<b>293</b>	<b>599,968</b>	<b>599,590</b>	<b>41,765</b>	<b>3,965</b>

Source: Bank of Brazil / Constitutional Fund for the Midwest.

Compiled by: IMB / SEGPLAN-GO / Department of Systematization and Dissemination of Socioeconomic Information – 2017.

- CT & I: Science, Technology and Innovation

- ABC-ILPF: Low Cost Carbon Farming - Mode Crop-Livestock-Forest.

(1)-Position: september

**STATE OF GOIÁS: Contracts and Financings of the Agency of Incentives and Development of Goiás – 2015 – 16.**

Specification	Amount of Contracts		Released Value (R\$ thousands)	
	2015	2016	2015	2016
<b>Total</b>	<b>1,162</b>	<b>615</b>	<b>38,911,437</b>	<b>5,618,101</b>
<b>Own resources for investment</b>	<b>901</b>	<b>541</b>	<b>49,957</b>	<b>25,381</b>
Working Capital	583	338	29,222	16,280
Fixed Investment	318	203	20,735	9,100
<b>Own resources for activity</b>	<b>901</b>	<b>541</b>	<b>49,957</b>	<b>25,381</b>
Trade	463	302	24,017	9,458
Services	326	180	19,142	7,799
Industry	112	58	6,798	2,748
Agribusiness(CRA)	-	1	-	5,375
<b>Managed Funds</b>	<b>172</b>	<b>52</b>	<b>38,838,413</b>	<b>5,585,821</b>
FUNMINERAL	20	1	4,321	7
Production Credit	96	-	1,634	-
Credi PAI	3	-	210	-
PRODUZIR – Inc. fiscal	53	51	<b>38,832,248</b>	<b>5,585,814</b>
<b>Transfer Resources</b>	<b>89</b>	<b>22</b>	<b>23,067</b>	<b>6,899</b>
FCO	70	20	19,248	6,327
BNDES	19	2	3,819	572

Source: Agency of Incentives and Development of Goiás S/A.

Compiled by: IMB / SEGPLAN-GO / Department of Systematization and Dissemination of Socioeconomic Information – 2017.

# Systematization and Dissemination of Socioeconomic Informations Bureau

## Technical group

Eduiges Romanatto (Manager)  
Evelyn de Castro Cruvinel  
Sueide Rodrigues de Souza Peixoto

## Web release

Vanderson Soares

## Editorial production and cover art

Jaqueline Vasconcelos Braga

*The reproduction of this text and its content data is allowed since providing its source. Commercial reproductions are forbidden.*

*september - 2017*