

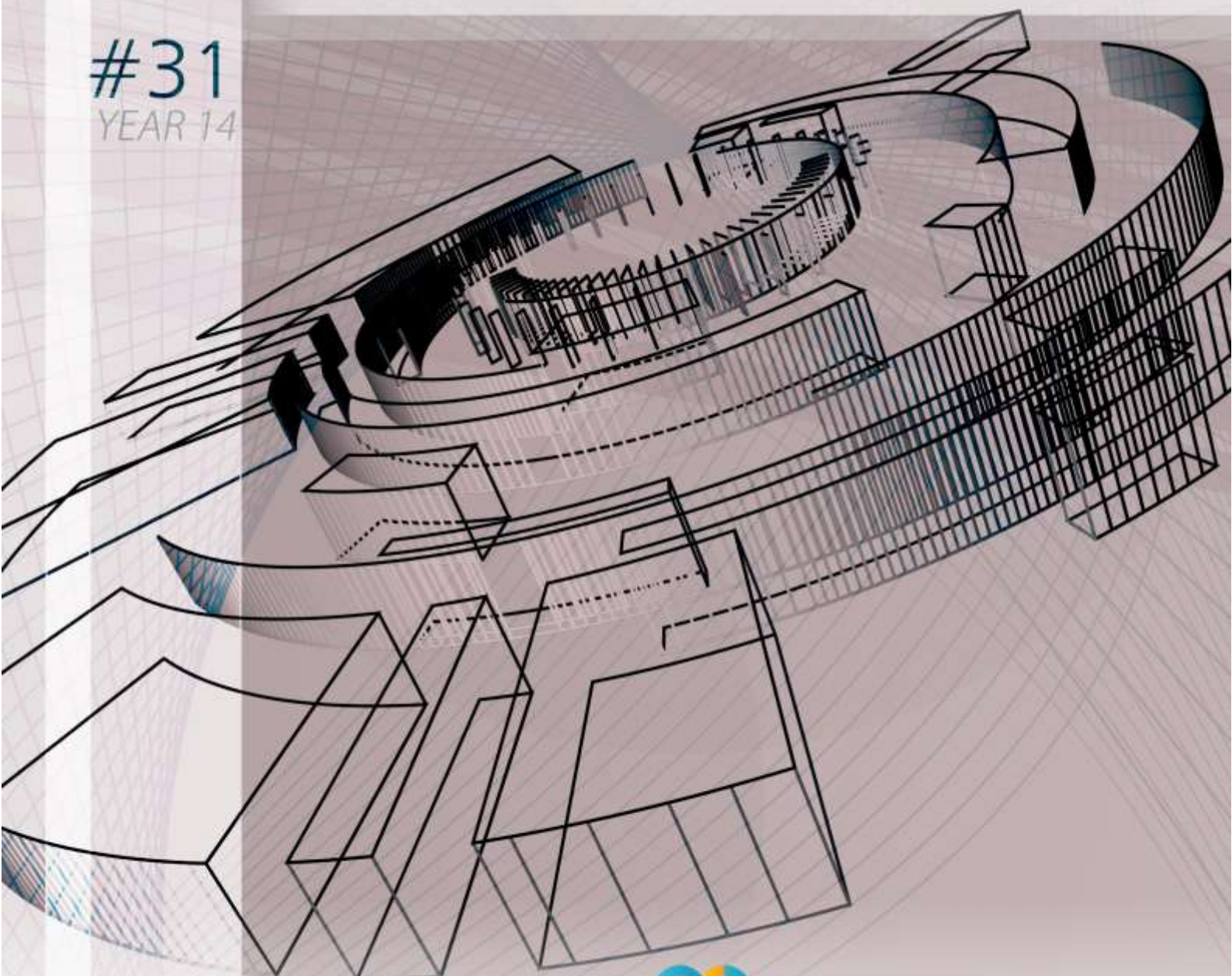
Quarterly basic statistics

STATE OF GOIÁS

ENGLISH VERSION

2017 / 1ST QUARTER

#31
YEAR 14



SEGPLAN

SECRETARIA DE ESTADO DE
GESTÃO E PLANEJAMENTO



STATE OF GOIAS GOVERNOR

Marconi Ferreira Perillo Júnior

MANAGEMENT AND PLANNING STATE SECRETARIAT

Joaquim Cláudio Figueiredo Mesquita

MAURO BORGES INSTITUTE

Lillian Maria Silva Prado

IMB - INSTITUTO MAURO BORGES
DE ESTATÍSTICAS E ESTUDOS SOCIOECONÔMICOS

Mauro Borges Institute attached to the Management and Planning State Secretariat, IMB is responsible for the elaboration of studies, researches, analysis and socioeconomic statistics, providing information for the creation of state politics in economic and social areas. The Office also provides a collection of statistical, geographic and cartographic data.

Department of Special and Socioeconomics Studies

Rui Rocha Gomes

Department of Regional Accounts and Indicators

Dinamar Maria Ferreira Marques

Department of Systematization and Dissemination of Socioeconomic Informations

Eduiges Romanatto

Department of Systematic and Special Researches

Marcelo Eurico de Sousa

Department of Cartography and Geoprocessing

Carlos Antônio Melo Cristóvão

Quarterly Basic Statistics - YEAR XIII 2016, 2nd Quarter.
Goiânia: Management and Planning State of Goiás Secretariat,
July / 2017. 44 p.



Instituto Mauro Borges
Av. República do Líbano nº 1945 - 3º andar
Setor Oeste – Goiânia – Goiás - CEP 74.125-125
Telefone: (62) 3201-6695/8481
Internet: www.imb.go.gov.br, www.segplan.go.gov.br
e-mail: imb@segplan.go.gov.br

CONTENTS

1 – PHYSICAL / DEMOGRAPHIC ASPECTS	4
2 - ECONOMIC INDEX	6
3 – GROSS DOMESTIC PRODUCT (GDP).....	6
4 – EXTRACTIVE INDUSTRY	8
5 – AGRICULTURE	10
6 – CATTLE RAISING.....	14
7 – INDUSTRY.....	17
8 – TRADE AND SERVICES	21
9 – BALANCE OF TRADE	24
10 – POWER.....	24
12 - EDUCATION	27
13 – PUBLIC SANITATION	30
14 – PUBLIC HEALTH.....	31
15 – SOCIAL INDICES.....	32
16 - EMPLOYMENT	33
17 - PUBLIC FINANCE	36
18 – STATE BUDGET.....	37
19 – FINANCING AND INVESTMENTS	40

1 – PHYSICAL / DEMOGRAPHIC ASPECTS

STATE OF GOIÁS, Midwest and Brazil: Total area – 2015.

Specification	Goiás	Midwest	Brazil	Share (%)	
				Goiás / Midwest	Goiás / Brazil
Área (km ²)	340,110.385	1,606,234.009	8,515,767.049	21.17	3.99

Source: IBGE.

Compiled by: IMB / SEGPLAN-GO / Department of Systematization and Dissemination of Socioeconomic Information – 2017.

STATE OF GOIÁS, Midwest and Brazil: Resident Population – 1980, 1991, 1996, 2000, 2010 – 16.

Year	Population (thou inhabitants)			Share (%)	
	Goiás	Midwest	Brazil	Goiás / Midwest	Goiás / Brazil
1980 (1)	3,121	6,806	119,003	45.86	2.62
1991	4,019	9,428	146,825	42.63	2.74
1996	4,515	10,501	157,070	43.00	2.87
2000	5,003	11,637	169,799	42.99	2.95
2010	6,004	14,058	190,756	42.71	3.15
2011 (4)	6,218	14,576	195,243	42.66	3.18
2012 (4)	6,155	14,424	193,947	42.67	3.17
2013 (4)	6,434	14,993	201,033	42.91	3.20
2014 (4)	6,523	15,220	202,769	42.86	3.22
2015 (4)	6,611	15,442	204,451	42.81	3.23
2016 (4)	6,696	15,661	206,081	42.75	3.25

Source: IBGE.

Compiled by: IMB / SEGPLAN-GO / Department of Systematization and Dissemination of Socioeconomic Information – 2017.

(1) Referring to the State of Goiás after the splitting in two states (2) PNAD (3) Counting (4) Estimated in 07/01

Note: The data in this table were reweighted by the 2008 revision of population projections, by IBGE, including the trend from 2000 to 2010.

STATE OF GOIÁS, Midwest and Brazil: Average geometric rate of annual growth.

Region	Rate of annual growth (%)						
	1980/1991	1991/1996	1996/2000	1991/2000	1980/2000	2000/2010	2010/2016
Goiás	2.33	2.36	2.60	2.46	2.39	1.84	1.83
Midwest	3.01	2.18	2.60	2.36	2.72	1.91	1.82
Brazil	1.93	1.36	1.97	1.63	1.79	1.17	1.30

Compiled by: IMB / SEGPLAN-GO / Department of Systematization and Dissemination of Socioeconomic Information – 2017.

STATE OF GOIÁS: Resident urban and rural population, demographic density and urbanization rate – 1980, 1991, 1996, 2000, 2010 – 15.

Year	Resident Population (thou inhab,)			Demographic Density (inhab, / km ²)	Urbanization Rate (%)
	Total	Urban	Rural		
1980	3,121	2,108	1,013	9.18	67.54
1991	4,019	3,248	771	11.82	80.82
1996	4,515	3,873	642	13.28	85.78
2000	5,003	4,397	607	14.71	87.89
2010	6,004	5,421	583	17.65	90.29
2011 (1)	6,218	5,729	489	18.28	92.14
2012 (1)	6,296	5,765	530	18.51	91.57
2013 (1)	6,456	5,913	543	18.98	91.59
2014 (1)	6,544	6,036	508	19.24	92.24
2015 (1)	6,631	6,076	555	19.50	91.63

Source: IBGE.

Compiled by: IMB / SEGPLAN-GO / Department of Systematization and Dissemination of Socioeconomic Information – 2017.

(1) PNAD.

Note: The data in this table were reweighted by the 2008 revision of population projections, by IBGE, including the trend from 2000 to 2010.

STATE OF GOIÁS, Midwest and Brazil: Resident Population according to gender, people of 10 years and over and permanent private residences – 2015. (Per thous).

Region	Resident Population			People of 10 years and over		Permanent private residences
	Total	Men	Women	Total	Illiteracy (%)	
Goiás	6,631	3,231	3,400	5,731	5.60	2,208
Midwest	15,489	7,582	7,907	13,340	5.24	5,215
Brazil	204,860	99,408	105,452	177,657	7.38	68,037

Source: IBGE.

Compiled by: IMB / SEGPLAN-GO / Department of Systematization and Dissemination of Socioeconomic Information – 2017.

STATE OF GOIÁS, Midwest and Brazil: Voters as per age group – april/2017.

Age Group	Goiás	Midwest	Brazil	Share (%)	
				Goiás/Midwest	Goiás/Brazil
Total	4,507,518	10,660,978	147,101,283	42.28	3.06
16 years	10,171	20,115	321,887	50.56	3.16
17 years	44,777	92,911	1,383,694	48.19	3.24
18 to 20 years	260,764	596,922	8,200,161	43.68	3.18
21 to 24 years	402,585	966,880	12,830,042	41.64	3.14
25 to 34 years	1,011,497	2,427,277	32,301,706	41.67	3.13
35 to 44 years	971,801	2,322,222	30,017,700	41.85	3.24
45 to 59 years	1,096,172	2,589,010	35,322,457	42.34	3.10
60 to 69 years	425,306	982,894	14,984,990	43.27	2.84
70 to 79 years	204,415	466,107	7,569,956	43.86	2.70
79 years and over	79,969	196,458	4,164,911	40.71	1.92
Not informed	61	182	3,779	33.52	1.61

Source: TSE.

Compiled by: IMB / SEGPLAN-GO / Department of Systematization and Dissemination of Socioeconomic Information – 2017.

2 - ECONOMIC INDEX

Economic Indexes – 2011 – 17.

Indices	Yearly Variation (%)						Variation- Jan-mai (%)
	2011	2012	2013	2014	2015	2016	2017
IPCA (IBGE)	6.50	5.84	5.91	6.41	10.67	6.29	1.42
INPC (IBGE)	6.08	6.20	5.56	6.23	11.28	6.58	1.43
IGP – DI (FGV)	5.00	8.10	5.52	3.78	10.70	7.18	-1.63
IPCA – Goiânia (IBGE)	6.18	5.40	5.62	7.20	11.10	5.25	0.39
INPC – Goiânia (IBGE)	5.98	6.97	4.93	6.23	12.19	5.36	0.26
IPC – Goiânia (SEGPLAN)	7.26	9.63	5.93	8.42	14.18	7.31	0.24

Source: IBGE / FGV / SEGPLAN-GO.

Compiled by: IMB / SEGPLAN-GO / Department of Systematization and Dissemination of Socioeconomic Information – 2017.

3 – GROSS DOMESTIC PRODUCT (GDP)

STATE OF GOIÁS, Midwest and Brazil: Gross domestic product at current market prices and *per capita* – 2012 - 16.

Region	GDP at current prices (R\$ million)					GDP <i>per capita</i> (R\$)				
	2012	2013	2014	2015(1)	2016(1)	2012	2013	2014	2015(1)	2016(1)
Goiás	138,758	151,300	165,015	171,344	178,948	22,543.93	23,515.55	25,296.60	25,918.02	26,724.61
Midwest	444,538	485,623	542,632	30,819.44	32,389.57	35,653.48
Brazil	4,814,760	5,331,619	5,778,953	6,000,570	6,266,895	24,825.15	26,521.15	28,500.24	29,349.67	30,409.86

Source: SEGPLAN-GO / IMB / Regional Account Management.

Compiled by: IMB / SEGPLAN-GO / Department of Systematization and Dissemination of Socioeconomic Information – 2017.

(1) - Estimate can be reviewed.

STATE OF GOIÁS and Midwest: Share of the Brazilian GDP at current market prices – 2010 – 14 (%).

Region	2010	2011	2012	2013	2014
Goiás	2.7	2.8	2.9	2.8	2.9
Midwest	9.1	9.1	9.2	9.1	9.4

Source: SEGPLAN-GO / IMB / Regional Account Management.

Compiled by: IMB / SEGPLAN-GO / Department of Systematization and Dissemination of Socioeconomic Information – 2017.

STATE OF GOIÁS: Structure of the GDP – 2010 – 14.

Year	Structure of the GDP per sector (%)			
	GDP	Farming	Industry	Services
2010	100.0	11.1	28.3	60.5
2011	100.0	11.0	26.9	62.0
2012	100.0	11.5	25.8	62.6
2013	100.0	12.3	25.8	61.9
2014	100.0	10.7	23.8	65.6

Source: SEGPLAN-GO / IMB / Regional Account Management.

Compiled by: IMB / SEGPLAN-GO / Department of Systematization and Dissemination of Socioeconomic Information – 2017.

STATE OF GOIÁS: Actual variation rate – 2011 – 14.

Sector	Actual variation rate (%)			
	2011	2012	2013	2014
Farming	10.8	8.8	1.2	-1.0
Industry	7.6	1.3	3.8	2.2
Services	4.0	4.9	3.5	1.7
GDP	5.8	4.5	3.1	1.9

Source: SEGPLAN-GO / IMB / Regional Account Management.

Compiled by: IMB / SEGPLAN-GO / Department of Systematization and Dissemination of Socioeconomic Information – 2017.

STATE OF GOIÁS: Gross Domestic Product - Rate (over the same previous period) - 2010 – 14.

Year	Quarter	GDP	
		Quarterly	Accumulated in 12 months
2014	I	0.7	0.7
	II	1.5	1.1
	III	3.1	1.8
	IV	2.3	1.9
2013	I	1.6	1.6
	II	3.1	2.4
	III	3.8	2.9
	IV	3.3	3.0
2012	I	6.6	6.6
	II	3.4	5.0
	III	4.4	4.8
	IV	3.5	4.5
2011	I	1.8	1.8
	II	9.8	5.7
	III	6.4	6.0
	IV	5.8	5.9
2010	I	9.3	9.3
	II	6.8	8.1
	III	8.1	8.1
	IV	11.2	8.8

Source: Regional Account Management.

Compiled by: IMB / SEGPLAN-GO / Department of Systematization and Dissemination of Socioeconomic Information – 2017.

STATE OF GOIÁS e Brazil: Gross Domestic Product - Rate (over the same previous period) - 2015 – 17.

Year	Farming		Industry		Services		GDP	
	Goiás	Brazil	Goiás	Brazil	Goiás	Brazil	Goiás	Brazil
1st Trim. 2015	5.5	7.1	-3.3	-4.7	-0.1	-1.1	0.7	-1.8
2ndTrim. 2015	0.7	4.7	-3.3	-5.5	-2.2	-2.1	-1.8	-3.0
3rd Trim. 2015	-11.8	0.2	-5.1	-6.4	-3.8	-3.4	-5.1	-4.5
4th Trim. 2015	6.6	0.8	-7.3	-8.6	-5.4	-4.1	-6.9	-5.8
Accumulated 2015	-2.6	3.6	-4.8	-6.3	-2.9	-2.7	-3.2	-3.8
1st Trim. 2016	10.5	-8.3	-6.4	-7.0	-4.6	-3.5	-2.0	-5.4
2ndTrim. 2016	-1.1	-6.1	-2.6	-2.9	-3.8	-2.7	-3.1	-3.6
3rd Trim. 2016	-9.1	-6.0	-2.4	-2.9	-2.3	-2.2	-3.4	-2.9
4th Trim. 2016	4.9	-5.0	-4.1	-2.5	-0.7	-2.4	-2.0	-2.5
Accumulated 2016	0.6	-6.6	-3.7	-3.8	-2.9	-2.7	-2.7	-3.6
1st Trim. 2017	8.6	15.2	2.4	-1.1	-2.7	-1.7	0.2	-0.4

Source: Regional Account Management.

Compiled by: IMB / SEGPLAN-GO / Department of Systematization and Dissemination of Socioeconomic Information – 2017.

Estimate can be reviewed.

4 – EXTRACTIVE INDUSTRY

STATE OF GOIÁS: Production of principal minerals – 2011 – 15.

Mineral	Production (t)				
	2011	2012	2013	2014	2015
Mineral water (1)	131,798,468	144,503,934	155,032,502	189,689,995	181,455,443
Asbestos (2)	306,321	304,569	290,826	311,228	232,052
Limestone (3)	1,767,590	1,987,274	2,241,416	2,282,769	2,029,555
Agric. Limestone	2,838,721	4,623,927	3,787,300	4,422,703	3,232,392
Cobalt	6,786	3,122	3,239	3,865	2,771
Copper	80,824	75,055	62,802	65,574	63,985
Emerald (4)	ND	ND	ND	ND	ND
Phosphate	2,061,134	2,049,546	3,484,689	2,425,709	2,316,566
Gold (4)	11,233	11,238	6,280	7,766	6,605
Niobium	10,968	13,037	12,464	12,773	12,740
Nickel (5)	48,766	65,178	66,919	75,956	48,800
Vermiculite	54,500	60,125	58,163	52,001	52,166

Source: DNPM.

Compiled by: IMB / SEGPLAN-GO / Department of Systematization and Dissemination of Socioeconomic Information – 2017.

(1) In liters

(4) In kg

(2) Arbestos in fibers

(5) Nickel in iron-nickel alloy and in nickel carbonate

(3) Limestone for cemente

STATE OF GOIÁS: Sales of principal minerals – 2011 – 15.

Mineral	Sales (t)				
	2011	2012	2013	2014	2015
Mineral water (1)	131,798,468	144,503,934	155,032,502	189,689,995	181,455,443
Asbestos (2)	306,321	304,569	295,003	275,268	232,052
Limestone (3)	1,767,590	1,987,274	2,241,562	2,285,422	2,026,132
Agric, Limestone	2,838,721	4,623,927	3,778,402	4,324,547	3,195,531
Cobalt	6,786	3,122	3,239	3,865	2,771
Copper	80,824	75,055	63,331	65,574	63,985
Emerald (4)	ND	ND	ND	ND	ND
Phosphate	2,061,134	2,049,546	3,622,801	2,207,019	2,234,867
Gold (4)	11,233	11,238	6,293	7,779	6,608
Niobium	10,968	13,037	12,464	12,773	12,740
Nickel (6)	48,766	65,178	66,411	75,568	48,800
Vermiculite	54,500	60,125	64,232	52,001	50,835

Source: DNPM.

Compiled by: IMB / SEGPLAN-GO / Department of Systematization and Dissemination of Socioeconomic Information – 2017.

(1) In liters

(4) In kg

(2) Arbestos in fibers

(5) Nickel in iron-nickel alloy and in nickel carbonate

(3) Limestone for cemente

STATE OF GOIÁS, Midwest and Brazil: Collection of the Financial Compensation through exploitation of the mineral resources – 2011 – 17 (R\$ 1,000).

Year	Goiás	Midwest	Brazil	Share (%)	
				Goiás / Midwest	Goiás / Brazil
2011	58,547	97,667	1,544,749	59.95	3.79
2012	74,402	107,909	1,832,381	68.95	4.06
2013	69,057	117,258	2,373,783	58.89	2.90
2014	71,013	130,010	1,703,461	54.62	4.17
2015	79,351	118,392	1,494,762	67.02	5.31
2016	102,002	160,238	1,794,668	63.66	5.68
2017(1)	26,826	37,312	593,941	71.90	4.52

Source: National Department of Mineral Production.

Compiled by: IMB / SEGPLAN-GO / Department of Systematization and Dissemination of Socioeconomic Information – 2017.

(1) January to april.

STATE OF GOIÁS: Amount and value of products from vegetal and silvicultural origin – 2012 – 15.

Specification	Amount				Value (R\$ 1,000)			
	2012	2013	2014	2015	2012	2013	2014	2015
Timber (Vegetal origin)								
- Charcoal (t)	25,928	14,930	24,598	4,919	28,170	11,251	22,681	4,768
- Lumber (m ³)	510,194	516,207	490,265	462,823	16,967	16,884	16,798	16,510
- Logs (m ³)	12,561	12,233	7,369	6,683	3,943	4,374	3,545	3,302
Timber (Silviculture)								
- Charcoal (t)	1,702	2,573	3,192	1,276	1,449	3,041	3,701	1,996
- Lumber (m ³)	2,217,710	4,498,379	4,357,778	3,444,304	161,773	269,014	268,427	160,454
- Logs (m ³)	236,045	774,320	598,180	574,025	31,408	80,567	65,491	64,484

Source: IBGE.

Compiled by: IMB / SEGPLAN-GO / Department of Systematization and Dissemination of Socioeconomic Information – 2017.

5 – AGRICULTURE

STATE OF GOIÁS, Midwest and Brazil: Grain Production – 2007 – 17.

Year	Goiás (t)	Midwest (t)	Brazil (t)	Share (%)		Ranking	
				Goiás / Midwest	Goiás / Brazil	Goiás / Midwest	Goiás / Brazil
2007	11,378,951	44,026,444	135,654,278	25.85	8.39	2 nd	4 th
2008	13,295,063	50,230,541	148,205,645	26.47	8.97	2 nd	4 th
2009	13,313,507	48,978,139	136,375,615	27.18	9.76	2 nd	4 th
2010	13,312,250	52,340,028	152,199,493	25.43	8.75	2 nd	4 th
2011	15,116,917	56,134,130	162,083,402	26.93	9.33	2 nd	4 th
2012	18,259,907	70,865,890	165,044,477	25.77	11.06	2 nd	4 th
2013	18,131,632	78,466,663	191,016,977	23.10	9.49	2 nd	4 th
2014	19,757,173	83,018,762	197,376,656	23.80	10.01	2 nd	4 th
2015	19,569,247	89,734,985	212,349,875	21.81	9.22	2 nd	4 th
2016 (1)	16,934,053	75,121,500	187,092,959	22.54	9.05	2 nd	4 th
2017 (1)	23,236,496	103,524,350	241,418,572	22.45	9.62	2 nd	4 th

Source: IBGE.

Compiled by: IMB / SEGPLAN-GO / Department of Systematization and Dissemination of Socioeconomic Information – 2017.

(1) Position: may.

STATE OF GOIÁS, Midwest and Brazil: Production of main agricultural products – 2016 – 2017 (tons).

Product	Goiás		Midwest		Brazil	
	2016 (1)	2017 (2)	2016 (1)	2017 (2)	2016 (1)	2017 (2)
Pineapple (1,000 fruit)	62,397	16,049	99,184	55,185	1,716,202	1,555,628
Cotton	86,985	97,349	2,465,765	2,636,426	3,338,748	3,626,128
Garlic	12,812	28,724	15,307	32,084	107,376	126,035
Rice (in husk)	111,387	114,474	715,291	846,031	10,473,504	12,169,400
Coffe	13,890	14,719	22,098	22,281	2,867,279	2,791,383
Sugar cane	70,651,882	63,867,849	142,114,224	135,044,548	736,518,382	704,269,604
Beans (1 st , 2 nd and 3 rd harvest)	320,307	327,880	589,764	704,247	2,706,678	3,348,560
Orange	145,613	147,403	167,550	177,301	15,681,576	14,673,412
Corn (1 st , 2 nd and 3 rd harvest)	5,565,104	10,524,998	28,243,111	48,043,884	65,473,652	96,957,141
Soy bean	10,190,023	11,359,545	44,683,174	51,066,315	96,388,856	113,871,771
Sorghum	368,787	761,971	585,546	1,021,754	1,200,352	2,085,596
Tomato (table and industry)	760,178	1,143,410	790,123	1,187,036	3,511,941	4,320,298
Wheat (dry and irrigated)	67,257	53,035	115,930	109,556	6,174,075	6,061,553

Source: IBGE.

Compiled by: IMB / SEGPLAN-GO / Department of Systematization and Dissemination of Socioeconomic Information – 2017.

(1)- Preliminary

(2) Position: may.

STATE OF GOIÁS, Midwest and Brazil: Production Ranking of the main agricultural products - 2016 – 2017.

Product	Goiás / Midwest		Goiás / Brazil	
	2016	2017	2016	2017
Pineapple (1,000 fruit)	1 st	2 nd	10 th	16 th
Cotton	3 rd	3 rd	4 th	4 th
Garlic	1 st	1 st	2 nd	2 nd
Rice (in husk)	2 nd	2 nd	9 th	8 th
Coffee	1 st	1 st	8 th	8 th
Sugar-cane	1 st	1 st	2 nd	3 rd
Beans	1 st	1 st	3 rd	3 rd
Orange	1 st	1 st	8 th	8 th
Corn	3 rd	2 nd	5 th	3 rd
Soy bean	2 nd	2 nd	4 th	4 th
Sorghum	1 st	1 st	1 st	1 st
Tomato	1 st	1 st	1 st	1 st
Wheat	1 st	1 st	6 th	6 th

Source: IBGE

Compiled by: IMB / SEGPLAN-GO / Department of Systematization and Dissemination of Socioeconomic Information – 2017.

STATE OF GOIÁS: Area, production and average yield of main agricultural products – 2016 – 2017.

Product	2016 (1)			2017 (2)			
	Harvested Area (ha)	Production (t)	Average Yield (kg / ha)	Area planted or expected to be planted (ha)	Harvested or expected area (ha)	Achieved or Expected Production (t)	Average or Expected Yield (kg / ha)
Cotton	29,273	86,446	2,953	25,345	25,345	97,349	3,841
Rice	23,490	109,506	4,662	21,742	21,742	114,474	5,265
Sugar cane	919,661	70,493,478	76,652	894,822	821,412	63,867,849	77,754
Beans	149,339	345,458	2,313	130,868	130,868	327,880	2,505
Sunflower	15,451	14,712	952	15,566	15,566	20,350	1,307
Cassava	13,098	213,367	16,290	17,609	10,621	170,599	16,062
Corn	1,335,653	5,743,008	4,300	1,589,997	1,589,897	10,524,998	6,620
Soy bean	3,304,391	10,233,537	3,097	3,321,612	3,321,612	11,359,545	3,420
Sorghum	172,748	351,823	2,037	218,523	218,523	761,971	3,487
Tomato	11,997	978,258	81,542	13,227	13,227	1,143,410	86,445
Wheat dry	12,775	65,461	5,124	11,190	11,190	53,035	4,739

Source: GCEA – Group of Coordination of Farming Statistics.

Compiled by: IMB / SEGPLAN-GO / Department of Systematization and Dissemination of Socioeconomic Information – 2017.

(1)- Preliminary

(2) Position: may

STATE OF GOIÁS: Municipalities with highest harvest – 2016.

Product	Production (t)	Municipality	Municipality / State (%)
Pineapple (in 1,000 fruit)	41,495	Jaraguá	66.02
Cotton	22,050	Chapadão do Céu	25.51
Garlic	22,100	Cristalina	76.52
Rice (in husk)	54,900	Flores de Goiás	50.13
Banana	26,775	Uruana	22.41
English potato	116,000	Cristalina	50.39
Rubber (coagulated latex)	5,460	Barro Alto	27.56
Coffee	2,496	Cristalina	14.43
Sugar cane	6,508,148	Quirinópolis	9.23
Onion	99,900	Cristalina	85.09
Bean (1 st , 2 nd and 3 rd harvest)	60,000	Cristalina	17.37
Sunflower	2,448	Piracanjuba	16.64
Guava	2,420	Morrinhos	62.00
Orange	30,800	Itaberaí	20.64
Cassava	13,860	Bela Vista de Goiás	6.50
Passion fruit	150,000	Uruana	57.02
Corn (1 st , 2 nd and 3 rd harvest)	1,023,000	Jataí	17.81
Soy bean	982,800	Rio Verde	9.60
Sorghum	62,400	Chapadão do Céu	17.74
Tomato	224,000	Cristalina	22.90
Wheat	35,280	Cristalina	53.89

Source: IBGE.

Compiled by: IMB / SEGPLAN-GO / Department of Systematization and Dissemination of Socioeconomic Information – 2017.

STATE OF GOIÁS: Ranking of grain production per microregion – 2015.

Microregion	Grain Production (t)	Share (%)	Ranking
State of Goiás	19,569,247	100.00	
013 - Sudoeste de Goiás	9,389,822	47.98	1 st
012 - Entorno de Brasília	2,963,534	15.14	2 nd
015 - Meia Ponte	1,677,373	8.57	3 rd
014 - Vale do Rio dos Bois	1,323,073	6.76	4 th
017 - Catalão	1,269,607	6.49	5 th
016 - Pires do Rio	918,064	4.69	6 th
004 - Porangatu	434,968	2.22	7 th
005 - Chapada dos Veadeiros	239,777	1.23	8 th
007 - Anápolis	229,498	1.17	9 th
010 - Goiânia	192,854	0.99	10 th
003 - Aragarças	192,319	0.98	11 th
018 - Quirinópolis	163,204	0.83	12 th
011 - Vão do Paranã	148,357	0.76	13 th
006 - Ceres	120,090	0.61	14 th
002 - Rio Vermelho	105,981	0.54	15 th
001 - São Miguel do Araguaia	89,137	0.46	16 th
009 - Anicuns	81,799	0.42	17 th
008 - Iporá	29,790	0.15	18 th

Source: IBGE.

Compiled by: IMB / SEGPLAN-GO / Department of Systematization and Dissemination of Socioeconomic Information – 2017.

STATE OF GOIÁS: Ranking the 25 municipalities with the highest irrigated by pivots – 2015.

Municipalities	Number of Pivots	Total area by municipalities (ha)	Mean (ha)	Ranking	
				For area of occupancy of the pivots	For a number of pivots
STATE OF GOIÁS	3,502	250,885.43	71.64	-	-
Cristalina	716	57,307.19	80.04	1 st	1 st
Distrito Federal	218	13,519.83	62.02	2 nd	2 nd
Jussara	114	12,638.13	110.86	3 rd	5 th
Paraúna	133	8,555.99	64.33	4 th	4 th
Morrinhos	160	8,021.55	50.13	5 th	3 rd
Luziânia	103	7,587.37	73.66	6 th	7 th
Água Fria de Goiás	90	7,443.84	82.71	7 th	9 th
Campo Alegre de Goiás	104	7,347.43	70.65	8 th	6 th
Rio Verde	81	6,996.05	86.37	9 th	10 th
Ipameri	57	5,514.16	96.74	10 th	16 th
Catalão	67	5,149.06	76.85	11 th	12 th
Itaberaí	100	4,983.98	49.84	12 th	8 th
Cabeceiras	59	4,531.73	76.81	13 th	14 th
Goiatuba	57	4,244.02	74.46	14 th	17 th
Vicentinópolis	74	3,934.74	53.17	15 th	11 th
Silvânia	59	3,734.52	63.30	16 th	15 th
Palmeiras de Goiás	64	3,341.97	52.22	17 th	13 th
Pontalina	45	2,812.13	62.49	18 th	18 th
Turvelândia	26	2,516.69	96.80	19 th	26 th
Niquelândia	25	2,395.67	95.83	20 th	27 th
Acreúna	29	2,351.21	81.08	21 th	21 th
Santa Fé de Goiás	19	2,303.88	121.26	22 th	39 th
Montes Claros de Goiás	22	2,268.28	103.10	23 th	32 th
Santa Helena de Goiás	23	2,140.12	93.05	24 th	30 th
Formosa	29	2,125.00	73.28	25 th	22 th
Demais municípios	1,028	67,120.88	65.29	-	-

Source: IMB/ Management Cartography and GIS / SEMARH / SRH

Compiled by: IMB / SEGPLAN-GO / Department of Systematization and Dissemination of Socioeconomic Information – 2017.

6 – CATTLE RAISING

STATE OF GOIÁS, Midwest and Brazil: Main livestock and milk production – 2000 – 2015.

Product	Goiás		Midwest		Brazil		Ranking Goiás/Brazil	
	2000	2015	2000	2015	2000	2015	2000	2015
Cattle (heads)	18,399,222	21,887,720	59,641,301	72,705,736	169,875,524	215,199,488	4 th	3 rd
Pigs (heads)	1,174,360	2,033,914	2,801,698	6,320,813	31,562,111	40,332,553	10 th	6 th
Poultry (heads)	26,444,415	64,604,285	67,139,531	151,939,936	848,515,354	1,354,064,892	7 th	6 th
Milch cows (heads)	2,006,038	2,544,301	2,876,586	3,675,505	17,885,019	21,751,073	2 nd	2 nd
Milk production (1,000 l)	2,193,799	3,518,057	3,080,121	4,802,463	19,767,206	35,000,227	2 nd	4 th

Source: IBGE.

Compiled by: IMB / SEGPLAN-GO / Department of Systematization and Dissemination of Socioeconomic Information – 2017.

STATE OF GOIÁS: Main livestock and milk production – 2005 – 15 (heads).

Year	Cattle	Pigs	Poultry	Milch cows	Milk production (1,000 l)
2005	20,726,586	1,499,138	39,942,492	2,334,558	2,648,599
2006	20,646,560	1,516,285	42,488,945	2,293,105	2,613,622
2007	20,471,490	1,537,430	44,415,670	2,286,190	2,638,568
2008	20,466,360	1,592,760	47,750,990	2,363,068	2,873,541
2009	20,874,943	1,929,062	53,717,123	2,441,165	3,003,182
2010	21,347,881	2,046,727	55,156,362	2,479,869	3,193,731
2011	21,744,650	2,049,376	61,179,904	2,615,611	3,482,041
2012	22,045,776	2,016,444	59,653,837	2,692,841	3,546,329
2013	21,580,398	2,060,360	61,267,358	2,723,594	3,776,803
2014	21,538,072	2,016,940	70,119,312	2,658,373	3,684,341
2015	21,887,720	2,033,914	64,604,285	2,544,301	3,518,057

Source: IBGE.

Compiled by: IMB / SEGPLAN-GO / Department of Systematization and Dissemination of Socioeconomic Information – 2017.

STATE OF GOIÁS and Brazil: Slaughter of cattle, pigs and poultry – 2011 – 17 (herds).

Year	Goiás			Brazil		
	Cattle	Pigs	Poultry	Cattle	Pigs	Poultry
2011	2,701,839	1,936,134	318,833,364	28,813,923	34,861,640	5,269,322,761
2012	2,922,751	2,012,543	322,285,423	31,117,549	35,979,434	5,242,665,514
2013	3,466,231	1,877,029	339,633,927	34,412,070	36,065,562	5,613,069,258
2014	3,409,851	1,742,707	335,992,507	33,904,793	37,118,766	5,495,440,286
2015	3,060,939	1,765,662	373,965,280	30,642,297	39,263,336	5,794,543,718
2016(1)	2,821,463	1,830,677	358,405,299	29,668,976	42,315,933	5,860,316,609
2016(1)	746,349	459,955	94,957,230	7,369,356	10,464,430	1,484,960,692

Source: IBGE.

Compiled by: IMB / SEGPLAN-GO / Department of Systematization and Dissemination of Socioeconomic Information – 2017.

Note: Data are from slaughterhouses under federal, state or municipal sanitary inspection.

(1)- January to march.

STATE OF GOIÁS: Livestock of cattle, pigs and poultry per microregion – 2015.

Microregion	Cattle			Pigs			Poultry		
	Heads	Share (%)	Ranking	Heads	Share (%)	Ranking	Heads	Share (%)	Ranking
STATE OF GOIÁS	21,887,720	100.00		2,033,914	100.00		64,604,285	100.00	
001 - São Miguel do Araguaia	2,129,682	9.73	2 nd	24,764	1.22	15 th	178,557	0.28	15 th
002 - Rio Vermelho	1,850,046	8.45	4 th	40,604	2.00	13 th	1,313,100	2.03	9 th
003 - Aragarças	909,800	4.16	11 th	21,140	1.04	16 th	114,010	0.18	18 th
004 - Porangatu	2,014,842	9.21	3 rd	59,953	2.95	11 th	444,484	0.69	11 th
005 - Chapada dos Veadeiros	456,272	2.08	18 th	15,282	0.75	18 th	441,329	0.68	12 th
006 - Ceres	1,194,960	5.46	8 th	71,670	3.52	7 th	550,130	0.85	10 th
007 - Anápolis	970,931	4.44	10 th	86,365	4.25	4 th	8,847,120	13.69	3 rd
008 - Iporá	751,158	3.43	15 th	26,030	1.28	14 th	145,880	0.23	17 th
009 - Anicuns	802,840	3.67	14 th	69,160	3.40	8 th	1,735,385	2.69	7 th
010 - Goiânia	644,992	2.95	17 th	85,528	4.21	5 th	3,960,770	6.13	5 th
011 - Vão do Paranã	851,444	3.89	13 th	19,751	0.97	17 th	247,223	0.38	14 th
012 - Entorno de Brasília	1,448,585	6.62	6 th	92,107	4.53	3 rd	3,055,722	4.73	6 th
013 - Sudoeste de Goiás	2,472,500	11.30	1 st	1,073,370	52.77	1 st	21,112,400	32.68	1 st
014 - Vale do Rio dos Bois	987,784	4.51	9 th	94,180	4.63	2 nd	359,720	0.56	13 th
015 - Meia Ponte	1,560,984	7.13	5 th	75,690	3.72	6 th	7,772,605	12.03	4 th
016 - Pires do Rio	700,900	3.20	16 th	68,850	3.39	9 th	12,519,050	19.38	2 nd
017 - Catalão	854,600	3.90	12 th	47,680	2.34	12 th	1,637,600	2.53	8 th
018 - Quirinópolis	1,285,400	5.87	7 th	61,790	3.04	10 th	169,200	0.26	16 th

Source: IBGE.

Compiled by: IMB / SEGPLAN-GO / Department of Systematization and Dissemination of Socioeconomic Information – 2017.

STATE OF GOIÁS: Municipalities with biggest livestock and highest milk and egg production – 2013 – 15.

Product	Municipality	2013		2014		2015		Municipality / State (%)		
		Quantity	Rank	Quantity	Rank	Quantity	Rank	2013	2014	2015
Cattle (heads)	Nova Crixás	700,000	1 st	751,000	1 st	738,647	1 st	3.24	3.49	3.37
Pigs (heads)	Rio Verde	780,000	1 st	760,000	1 st	770,000	1 st	37.86	37.68	37.86
Poultry (heads)	Rio Verde	12,000,000	1 st	13,300,000	1 st	14,000,000	1 st	19.59	18.97	21.67
Milk Production (1,000 l)	Jataí	143,100	3 rd	144,700	2 nd	132,400	1 st	4.38	4.20	3.76
Egg Production (1,000 dz.)	Inhumas	40,275	1 st	45,051	1 st	45,360	1 st	19.80	22.31	23.08

Source: IBGE.

Compiled by: IMB / SEGPLAN-GO / Department of Systematization and Dissemination of Socioeconomic Information – 2017.

GOIÁS RANKING IN THE BRAZILIAN MARKET						
Atividade	Production (t)			Participation(%)	Ranking	
	Brazil	Goiás	Product			
Agriculture may/2017	2.085.596	761.971	Sorghum	36,53	1°	
	4.320.298	1.143.410	Tomato	26,47	1°	
	126.035	28.724	Garlic	22,79	2°(MG)	
	96.957.141	10.524.998	Corn	10,86	3° (MT, PR)	
	113.871.771	11.359.545	Soy bean	9,98	4° (MT, PR, RS)	
	3.348.560	327.880	Bean	9,79	3° (PR, MG)	
	704.269.604	63.867.849	Sugar cane	9,07	3° (SP, MG)	
	3.626.128	97.349	Cotton	2,68	4° (MT, BA,MS)	
241.418.572	23.236.496	Grain Production	9,62	4° (MT, PR, RS)		
Livestock 2015	21.751.073	2.544.301	Dairy Cows (cab)	11,70	2° (MG)	
	215.199.488	21.887.720	Cattle (cab)	10,17	3° (MT, MG)	
	35.000.227	3.518.057	Milk Production (1,000 l)	10,05	4° (MG, RS, PR)	
	40.332.553	2.033.914	Pigs (cab)	5,04	6° (RS, SC, PR, MG, MT)	
	1.354.064.892	64.604.285	Birds (cab)	4,77	6° (PR, SP, SC, RS, MG)	
Mining 2014	311.228	311.228	Asbestos	100,00	1°	
	56.444	52.001	Vermiculite	92,13	1°	
	167.063	75.956	Nickel	45,47	1°	
	6.514.000	2.425.709	Fhosphate	37,24	2° (MG)	
	301.197	65.574	Copper	21,77	2° (PA)	
	88.771	12.773	Niobium	14,39	2° (MG)	
	81,000	7.766	Gold	9,59	2° (MG)	

Preparation: IMB / SEGPLAN-GO / Department of Systematization and Dissemination of Socioeconomic Information – 2017.

7 – INDUSTRY

STATE OF GOIÁS: Industrial business registered at the State Treasury Secretary according to type and size- Position: Aug/2016.

Specification	Total	Micro/Small	Medium	Big	Not informed
Total	26,357	21,270	764	399	3,924
Construction, mining and machinery	5,550	4,566	173	53	758
Alcohol and sugar	93	36	8	44	5
Food	3,338	2,643	72	9	614
Drinks	161	105	15	19	22
Biofuels (except ethanol)	4	1	0	3	0
Footwear	929	749	8	6	166
Meat	354	192	62	35	65
Fuel derived from oil and coke	46	23	8	15	0
Tobacco	14	13	0	0	1
Dairy	326	221	45	31	29
Lubrificantes	1	1	0	0	0
Medicines and hospital products	106	55	22	16	13
Furniture, electronics, cinefoto, sound and cooling	2,374	1,922	32	6	414
Vehicles and parts	560	467	19	10	64
Clothing	8,816	7,555	52	13	1,196
The agribusiness industry	1,004	631	129	107	137
Generating electricity	74	33	20	16	5
Chemicals, prod, hygiene and cleaning, stationery, packaging and other	2,580	2,035	98	15	432
Transmitting electrical energy	27	22	1	1	3

Source: State Treasury Secretary.

Compiled by: IMB / SEGPLAN-GO / Department of Systematization and Dissemination of Socioeconomic Information – 2017.

Note: Gross annual income:

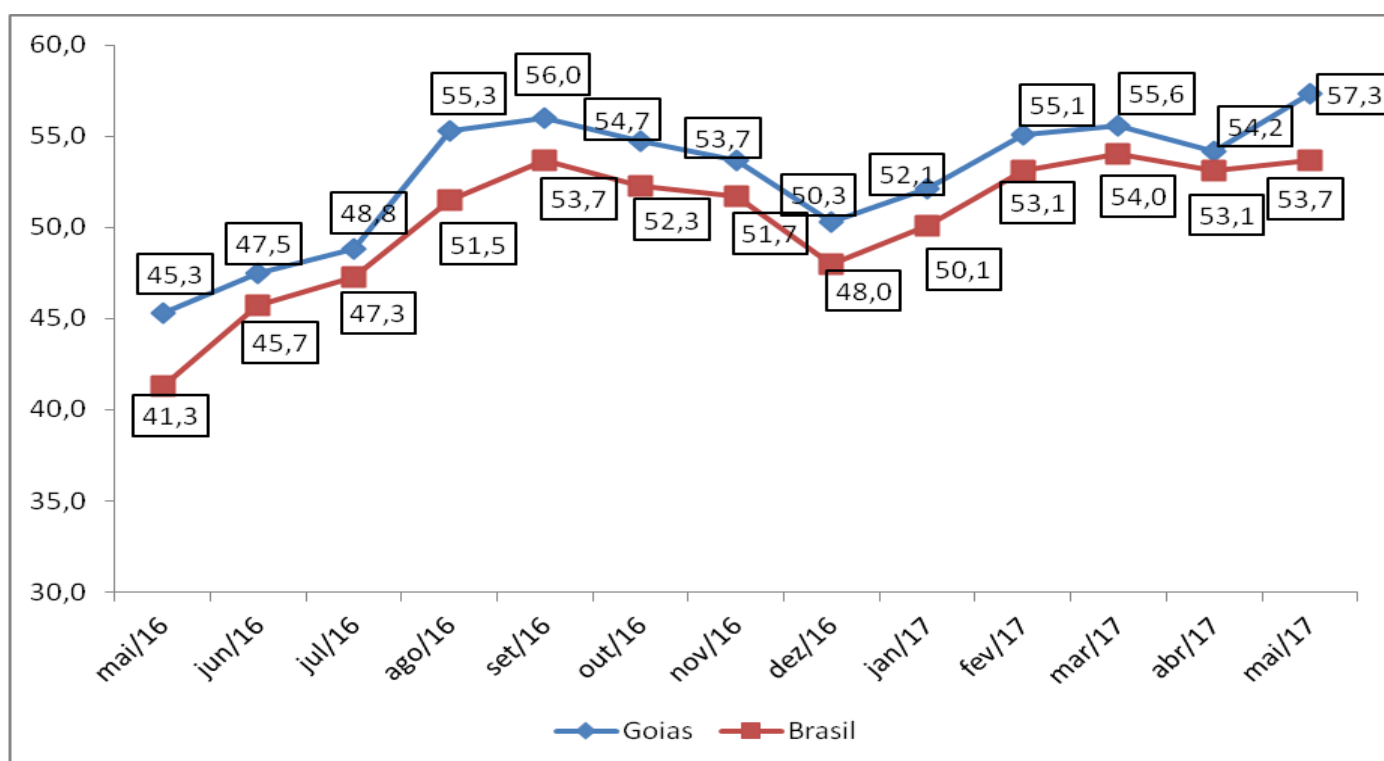
Micro / small: Equal R\$ 240,000,00 and less than R\$ 1,800,000,00

Medium: More than R\$ 1,800,000,00 and less than R\$ 36,000,000,00

Big: Equal or more than R\$ 36,000,000,00

Not informed Establishment without gross income information

Industrial Entrepreneur Confidence Index – ICEI – 2016-2017 (%).



Source: FIEG / DEC.

Compiled by: IMB / SEGPLAN-GO / Department of Systematization and Dissemination of Socioeconomic Information - 2017.

Note: Indicators range from 0 to 100. Values above 50 indicate confident entrepreneurs

STATE OF GOIÁS and Brazil: Physical-Industrial Production – 2016 - 2017.

Specification	Variation rate (%) (1)												
	2016								2017				
	May	Jun	Jul	Aug	Sep	Oct	Nov	Dec	Jan	Feb	Mar	Apr	Accumulated in the year 0
Goiás	-1.8	0.4	-0.3	-1.4	-4.2	-7.6	-13.0	-8.8	10.3	1.9	7.3	-6.1	2.5
Brazil	-7.4	-5.5	-6.3	-5.0	-4.4	-7.5	-1.4	-0.2	1.4	-0.7	1.4	-4.5	-0.7

Source: IBGE.

Compiled by: IMB / SEGPLAN-GO / Department of Systematization and Dissemination of Socioeconomic Information – 2017.

Preliminary

(1) Baseline value: same month of the previous year = 100

STATE OF GOIAS: Destilleries - 2016.

Municipality	Distillery	Situation
Anicuns	Anicuns S/A Álcool e Derivados - Grupo Farias	Operation
Aporé	Nardini Agroindustrial Ltda	Expected production
Bom Jesus de Goiás	Smbj Agroindustrial S/A	Expected production
Cachoeira Dourada	Usj Açúcar e Álcool S/A Fl II	Operation
Caçu	Rio Claro Agroindustrial (Odebrechet)	Operation
Carmo do Rio Verde	Crv Industrial Ltda	Operation
Chapadão do Céu	Cerradinho Bioenergia S/A	Operation
Edéia	Tropical Bioenergia S/A (Bp)	Operation
Goianésia	Jalles Machado S/A	Operation
	Jalles Machado S/A - Unidade Otávio Lage	Operation
	Usina Goianésia S/A - Grupo J. Maranhão	Operation
Goiatuba	Bom Sucesso Agroindústria Ltda	Operation
	Goiasa - Goiatuba Álcool Ltda	Operation
Inhumas	Centroálcool S/A	Operation
Ipameri	Lasa Lago Azul S/A	Operation
Itapaci	Vale Verde Itapaci Grupo Farias	Operation
Itapuranga	Vale Verde Itapuranga-Grupo Farias	Suspended operation
Itumbiara	Central Itumbiara Bioenergia e Alimentos Ltda (Bp)	Operation
	Usina Panorama S/A	Operation
Jandaia	Denusa – Destilaria Nova União S/A	Operation
Jataí	Operation	Operando
Mineiros	Brenco/Odebrechet (Morro Vermelho)	Operation
Montividiu	Usina Serra do Caiapó	Suspended operation
Morrinhos	Central Energética Morrinhos	Operation
Paraúna	Usina Nova Galia Ltda	Operation
Perolandia	Brenco/Odebrechet (Perolândia/Água Emendada)	Operation
Porteirão	Usina São Paulo (Antiga Usina Fortaleza)	Suspended operation
Quirinópolis	Sjc - Usina São Francisco	Operation
	Usina Boa Vista - Grupo São Martinho S/A	Operation
Rio Verde	Usina Rio Verde Ltda (Decal)	Operation
	Rio Verde Ind. De Álcool	Project
Rubiataba	Cooperativa Agroindustrial de Rubiataba Ltda	Operation
Santa Helena de Goiás	Usina Santa Helena Açúcar e Álcool	Operation
	Cambui Açúcar e Álcool Ltda	Operation
Santo Antônio da Barra	Floresta S/A Açúcar E Álcool	Operation
São Simão	Energética São Simão - Grupo J. Maranhão	Operation
Serranópolis	Energética Serranópolis	Operation
Turvelândia	Vale Do Verdão Açúcar e Álcool	Operation
Uruaçu	Uruaçu Açúcar e Álcool Ltda	Operation
Vicentinópolis	Caçu Com Ind Açúcar e Álcool Ltda	Operation
Vila Boa	Alda Part e Agropecuária S/A	Operation

Fonte: SIFAEG.

Compiled by: IMB / SEGPLAN-GO / Department of Systematization and Dissemination of Socioeconomic Information – 2017.

Summary: 35 Operation

2 Expected production

3 Suspended operation

1 Project

STATE OF GOIAS: Destilleries in operation, production of sugar cane, ethanol and sugar - 2009 – 16.

Year	Destillery	Production		
		Sugar cane (t)	Ethanol (thousand liters)	Sugar (t)
2009	35	44,064,470	2,196,179	1,384,081
2010	36	48,000,163	2,895,249	1,798,391
2011	34	54,903,085	2,675,292	1,752,398
2012	37	58,348,797	3,130,577	1,875,260
2013	37	69,307,411	3,887,830	1,890,648
2014	37	69,377,930	4,226,854	1,997,114
2015	37	70,412,725	4,678,570	1,892,230
2016	35	70,493,478	4,303,710	2,101,731

Source: SIFAEG for ethanol and sugar and IBGE for sugarcane.

Compiled by: IMB / SEGPLAN-GO / Department of Systematization and Dissemination of Socioeconomic Information – 2017.

8 – TRADE AND SERVICES

Brazil, Midwest, STATE OF GOIÁS and largest cities: Local units of companies and total working staff in 12/31 – 2012 – 14.

Specification	Number of local units			Total working staff		
	2012	2013	2014	2012	2013	2014
Brazil	5,654,630	5,874,465	5,589,526	53,384,262	55,166,521	55,263,992
Midwest	429,354	453,409	436,291	4,285,777	4,561,819	4,618,135
STATE OF GOIÁS	172,238	182,129	175,579	1,571,013	1,645,974	1,646,924
Goiânia	60,148	63,408	61,265	680,421	690,377	678,744
Aparecida de Goiânia	8,969	9,539	9,390	124,302	132,333	130,670
Anápolis	9,607	10,231	10,015	100,356	105,508	109,278
Rio Verde	5,299	6,065	5,764	54,571	56,861	57,534
Itumbiara	3,624	3,881	3,725	28,950	31,301	31,629
Catalão	3,402	3,432	3,612	25,935	29,490	29,679
Caldas Novas	3,392	3,473	3,551	22,945	24,102	25,508
Luziânia	3,353	3,679	3,420	24,808	25,563	25,408
Jataí	2,736	2,995	2,713	19,156	20,872	20,997
Valparaíso de Goiás	2,389	2,459	2,338	18,465	17,098	18,974
Senador Canedo	1,433	1,558	1,481	14,338	17,369	18,709
Mineiros	1,896	1,943	1,675	15,690	16,816	17,625
Formosa	2,592	2,607	2,585	16,528	16,688	16,491
Trindade	1,586	1,818	1,779	13,802	15,426	16,165

Source: IBGE / Companies Central Registration.

Compiled by: IMB / SEGPLAN-GO / Department of Systematization and Dissemination of Socioeconomic Information – 2017.

STATE OF GOIÁS: Opening of established companies, according to legal status – 2007 – 17.

Year	Total	Individual	Joint-Stock	Limited	Cooperative	Individual limited liability company	Individual microentrepreneur	Others
2007	19,128	7,614	142	11,319	44	-	-	9
2008	23,252	9,904	60	13,225	48	-	-	15
2009	25,654	11,972	32	13,590	51	-	-	9
2010	23,716	9,978	55	13,616	45	-	-	22
2011	23,896	10,041	47	13,753	40	-	-	15
2012	28,163	8,309	53	12,241	30	1,697	5,810	23
2013	22,961	7,460	64	11,666	56	3,683	-	32
2014	20,004	5,597	39	9,334	42	4,991	-	1
2015	18,688	4,973	44	7,857	24	5,788	-	2
2016	17,909	4,284	40	6,840	35	6,706	-	4
2017 (1)	7,989	2,152	14	2,718	14	3,091	-	-

Source: Commercial Union of the State of Goiás.

Compiled by: IMB / SEGPLAN-GO / Department of Systematization and Dissemination of Socioeconomic Information – 2017.

(1) - January to may.

STATE OF GOIÁS: Closing of established companies, according to legal status – 2007 – 17.

Year	Total	Individual	Joint-Stock	Limited	Cooperative	Individual limited liability company	Individual microentrepreneur	Others
2007	4,460	2,594	3	1,859	4	-	-	-
2008	7,283	4,249	5	3,021	5	-	-	3
2009	8,903	4,914	1	3,982	5	-	-	1
2010	10,538	5,996	4	4,529	6	-	-	3
2011	9,905	6,068	-	3,831	5	-	-	1
2012	9,116	5,569	-	3,523	5	18	(*)	1
2013	9,057	5,248	4	3,699	4	99	-	3
2014	6,997	3,125	6	3,632	2	231	-	1
2015	8,214	3,355	9	4,321	2	527	-	-
2016	11,040	4,033	6	6,006	4	991	-	-
2017 (1)	4,818	1,754	2	2,519	1	540	-	2

Source: Commercial Union of the State of Goiás.

Compiled by: IMB / SEGPLAN-GO / Department of Systematization and Dissemination of Socioeconomic Information – 2017.

(*) – It is with the individual company.

(1) - January to may.

STATE OF GOIÁS: Checks issued – 2007 – 17.

Year	Checks (quantity - 1,000)			Checks (R\$ millions)		
	Paid	Returned	No cover	Paid	Returned	No cover
2007	53,971.2	4,363.2	3,995.8	36,601.5	3,826.7	3,370.4
2008	49,677.9	4,019.1	3,580.2	40,249.0	4,199.2	3,586.0
2009	44,502.5	3,962.8	3,551.4	38,100.0	4,484.7	3,879.3
2010	41,924.7	3,227.7	2,830.8	41,017.3	4,147.4	3,487.6
2011	39,936.1	3,389.9	2,983.9	44,421.7	5,004.5	4,197.3
2012	34,830.5	3,185.1	2,786.7	42,811.9	5,271.8	4,393.0
2013	30,371.5	2,829.3	2,475.2	41,501.7	5,204.1	4,395.3
2014	28,529.7	2,639.6	2,234.2	43,117.7	5,508.6	4,416.5
2015	28,490.5	2,897.0	2,431.3	45,706.6	6,351.5	5,082.3
2016	25,152.6	2,665.4	2,219.1	41,821.3	6,143.9	4,750.7
2017 (1)	9,214.8	919.3	748.0	15,794.4	2,227.9	1,704.6

Source: Central Bank of Brazil.

Compiled by: IMB / SEGPLAN-GO / Department of Systematization and Dissemination of Socioeconomic Information – 2017.

(1) Position: January to may

STATE OF GOIÁS: Companies as per business activity and size, according to the number of employees – 2010 - 15.

Business Activity	Number of companies					
	2010	2011	2012	2013	2014	2015
Total	130,518	138,846	143,228	150,927	157,578	159,780
Micro	122,587	130,422	134,364	141,659	148,153	150,598
Small	6,552	6,920	7,274	7,636	7,798	7,584
Medium	1,114	1,231	1,316	1,337	1,334	1,299
Big	265	273	274	295	293	299
Farming	27,915	28,123	27,604	28,197	28,772	29,045
Micro	27,545	27,731	27,198	27,760	28,346	28,613
Small	322	333	344	370	360	368
Medium	39	51	55	59	58	56
Big	9	8	7	8	8	8
Industry	12,382	13,383	14,127	14,872	15,479	15,469
Micro	10,778	11,719	12,347	13,049	13,681	13,723
Small	1,324	1,366	1,465	1,498	1,476	1,427
Medium	219	231	245	247	236	235
Big	61	67	70	78	86	84
Civil Construction	5,878	6,815	7,336	7,981	8,280	7,530
Micro	5,163	6,030	6,494	7,108	7,429	6,887
Small	590	654	686	733	729	528
Medium	110	120	145	131	113	109
Big	15	11	11	9	9	6
Trade	48,335	51,618	53,356	56,121	58,452	59,130
Micro	46,331	49,512	51,183	53,903	56,150	56,944
Small	1,833	1,912	1,956	1,995	2,083	1,982
Medium	166	188	208	213	210	194
Big	5	6	9	10	9	10
Services	36,008	38,907	40,805	43,756	46,595	48,606
Micro	32,770	35,430	37,142	39,839	42,547	44,431
Small	2,483	2,655	2,823	3,040	3,150	3,279
Medium	580	641	663	687	717	705
Big	175	181	177	190	181	191

Source: Ministry of Labor and Employment / RAIS.

Compiled by: IMB / SEGPLAN-GO / Department of Systematization and Dissemination of Socioeconomic Information – 2017.

Note: Micro: up to 19 employees
 Small: from 20 to 99 employees
 Medium: from 100 to 499 employees
 Big: over 500 employees

9 – BALANCE OF TRADE

STATE OF GOIÁS and Brazil: Balance of Trade – 2007 – 17 (US\$ 1,000 FOB).

Year	Goiás			Brazil		
	Exports	Imports	Balance	Exports	Imports	Balance
2007	3,184,780	1,701,925	1,482,855	160,649,073	120,617,446	40,031,627
2008	4,091,752	3,050,197	1,041,555	197,942,443	172,984,768	24,957,675
2009	3,614,964	2,852,690	762,273	152,994,742	127,722,343	25,272,399
2010	4,044,638	4,175,313	-130,674	201,915,276	181,768,427	20,146,848
2011	5,605,193	5,728,434	-123,241	256,039,366	226,246,756	29,792,610
2012	7,314,578	5,124,612	2,189,966	242,572,846	223,183,477	19,389,369
2013	7,042,674	4,840,052	2,202,662	242,033,575	239,747,516	2,286,059
2014	6,979,884	4,419,215	2,560,669	225,100,885	229,154,463	-4,053,578
2015	5,878,263	3,363,219	2,515,043	191,134,325	171,449,051	19,685,274
2016	5,930,087	2,641,535	3,288,552	185,235,401	137,552,003	47,683,398
2017 (1)	2,783,615	1,328,784	1,454,831	87,926,304	58,902,090	29,024,214

Source: Department of Development, Industry and Foreign Trade.

Compiled by: IMB / SEGPLAN-GO / Department of Systematization and Dissemination of Socioeconomic Information – 2017.

Note: Data revised in december 2007, Preliminary

(1) January to may.

10 – POWER

STATE OF GOIÁS: Number of power consumers according to category – 2009 – 17.

Year	Total	Residence	Industry	Trade	Rural	Public Authority	Public Light	Public Service	Private
2009	2,242,143	1,838,563	10,620	211,394	163,099	15,604	587	1,951	325
2010	2,337,769	1,924,828	11,027	215,841	166,877	16,221	643	2,017	315
2011	2,438,243	2,016,123	11,183	220,574	170,604	16,719	648	2,091	301
2012	2,539,005	2,110,607	11,434	223,142	173,384	17,325	651	2,161	301
2013 (1)	2,647,721	2,214,307	11,338	223,587	177,535	17,784	640	2,241	289
2014 (1)	2,750,111	2,310,336	10,943	225,770	181,386	18,393	657	2,351	275
2015 (1)	2,838,425	2,396,462	10,573	226,398	183,807	17,843	656	2,417	269
2016(1)	2,860,978	2,424,124	10,023	220,162	185,270	17,951	656	2,534	258
2017(1)(2)	2,877,589	2,440,370	9,835	220,004	185,933	17,977	656	2,557	257

Source: Central Eletric of Goiás / São Patrício Hydroelectrical Company.

Compiled by: IMB / SEGPLAN-GO / Department of Systematization and Dissemination of Socioeconomic Information – 2017.

(1) Not included basic network.

(2) January to april.

STATE OF GOIÁS: Power consumption according to category – 2009 – 17 (Mwh).

Year	Total	Residence	Industry	Trade	Rural	Public Authority	Public Light	Public Service	Private
2009	9,956,980	2,994,196	3,148,019	1,712,703	961,304	327,251	492,310	313,682	7,516
2010	10,871,505	3,297,525	3,354,745	1,866,995	1,142,199	354,406	511,782	336,469	7,383
2011	11,333,953	3,500,143	3,482,077	1,976,302	1,141,264	361,296	521,140	344,831	6,900
2012	12,157,442	3,806,250	3,727,884	2,124,258	1,216,253	383,020	534,322	359,152	6,302
2013 (1)	11,255,211	4,059,439	2,366,259	2,239,777	1,250,686	407,665	558,077	367,470	5,838
2014 (1)	12,765,142	4,334,301	3,363,526	2,355,657	1,311,238	436,759	574,745	382,444	6,472
2015 (1)	12,949,933	4,488,179	3,325,683	2,404,210	1,278,211	441,853	625,037	380,840	5,920
2016(1)	12,976,752	4,469,853	3,255,789	2,329,251	1,406,788	440,766	674,421	394,416	5,468
2017(1)(2)	8,510,219	3,032,969	2,113,642	1,583,846	762,773	301,522	452,112	259,606	3,750

Source: Central Eletric of Goiás / São Patrício Hydroelectrical Company / SEINFRA.

Compiled by: IMB / SEGPLAN-GO / Department of Systematization and Dissemination of Socioeconomic Information – 2017.

(1) Not included basic network

(2) January to april.

STATE OF GOIÁS: Energy Balance – 2002 – 12 (10³ Mwh).

Year	Generated Energy		Total	Energy Exported	Losses	Total Consumption
	Hydraulic	Thermal				
2002	16,857	353	17,210	9,809	965	6,436
2003	20,954	231	21,185	13,191	958	7,036
2004	22,705	291	22,996	13,980	936	8,080
2005	23,809	298	24,107	14,352	936	8,819
2006	27,553	257	27,810	17,855	974	8,981
2007	27,492	512	28,004	17,733	1,113	9,158
2008	24,329	897	25,226	14,456	1,270	9,500
2009	22,115	1,189	23,304	12,294	1,291	9,719
2010	28,003	1,463	29,466	17,644	1,290	10,532
2011	31,526	2,428	33,954	21,500	1,492	10,962
2012	38,413	2,163	40,576	27,222	1,627	11,727

Source: Infrastructure Secretariat of the State of Goiás / Telecommunications and Power Supervision.

Compiled by: IMB / SEGPLAN-GO / Department of Systematization and Dissemination of Socioeconomic Information – 2017.

Note: At the survey of the production of hydraulic energy was taking into account 50% of the energy generated at the plants located on border rivers.

11 - TRANSPORTATION

STATE OF GOIÁS: Highway Network – November/2016 (Km).

Category	Total	Planned	Constructing	Unpaved	Paving	Paved	Pista Dupla Paved
Total	27,979.4	3,985.8	-	7,333.4	2,008.7	14,803.0	1,278.7
Federal	6,314.7	2,661.6	-	252.2	151.5	3,400.9	765.8
State Passing	1,739.3	-	-	217.8	70.6	1,450.9	44.9
State	19,925.4	1,324.2	-	6,863.4	1,786.6	9,951.2	468.0

Source: Transportation and Workmanship Agency of Goiás..

Compiled by: IMB / SEGPLAN-GO / Department of Systematization and Dissemination of Socioeconomic Information – 2017.
Preliminary

GOIÂNIA: Boarding and Landing of passengers and freight at Goiânia airport – 2007 – 17.

Year	Passengers		Freight (tons)
	Boarding	Landing	
2007	778,658	767,818	4,689
2008	774,885	780,300	5,430
2009	879,898	880,115	5,645
2010	1,175,007	1,173,641	5,097
2011	1,399,641	1,402,361	6,678
2012	1,541,037	1,537,796	6,469
2013	1,512,537	1,488,923	7,697
2014	1,685,901	1,677,291	5,599
2015	1,664,862	1,647,428	5,470
2016 (1)	1,518,865	1,494,256	4,724
2017 (1)	411,826	488,684	1,688

Source: Brazilian Airport Infrastructure Company.

Compiled by: IMB / SEGPLAN-GO / Department of Systematization and Dissemination of Socioeconomic Information – 2017.
(1) January to april.

STATE OF GOIÁS and Goiânia: Amount of registered automotive vehicles per inhabitant – Pos.06/06/2017.

Specification	Amount of Vehicles	Population (inhabitants) (1)	Vehicles / 100 inhabitants
State of Goiás	3,732,849	6,695,855	55.75
Goiânia	1,173,674	1,448,639	81.02

Source: DETRAN-GO / IBGE.

Compiled by: IMB / SEGPLAN-GO / Department of Systematization and Dissemination of Socioeconomic Information – 2017.
(1) Estimated in 07/01/2016

12 - EDUCATION

STATE OF GOIÁS: Number of schools, classrooms and teachers in full activity – 2013 – 16.

Type	Schools (1)				Classrooms				Teachers in full activity (2)			
	2013	2014	2015	2016	2013	2014	2015	2016	2013	2014	2015	2016
Total	4,525	4,552	4,586	4,685	38,101	39,129	40,315	39,904	59,631	60,842	60,197	66,703
Federal	16	18	27	27	397	420	528	541	929	1,056	1,372	1,357
State	1,052	1,051	1,050	1,069	9,337	9,384	9,443	9,122	19,318	19,307	18,206	19,158
Municipal	2,364	2,383	2,407	2,444	17,029	17,684	18,021	17,835	28,939	29,351	29,293	29,897
Privater	1,093	1,100	1,102	1,145	11,338	11,641	12,323	12,406	15,324	15,785	15,891	16,291

Source: Secretary of Education.

Compiled by: IMB / SEGPLAN-GO / Department of Systematization and Dissemination of Socioeconomic Information – 2017.

(1) The same school can offer one or more level of education.

(2) The same teacher can teach at more than one school and/or level of education.

STATE OF GOIÁS: Registered students according to education level – 2007 – 16.

Year	Total students	Creche	Preschool	Elementary School	High School	Technical School (medium level)	Special	Youths & adults
2007	1,487,126	38,303	93,808	960,166	272,086	13,277	16,751	92,735
2008	1,462,653	42,330	104,342	934,804	262,535	13,073	21,626	83,943
2009	1,455,475	43,293	107,471	930,630	265,945	15,561	16,963	75,612
2010	1,458,120	45,950	112,799	915,568	268,903	16,048	18,430	80,422
2011	1,434,363	49,334	117,144	897,686	262,713	16,564	21,412	69,510
2012	1,431,096	52,272	120,822	895,633	259,827	18,124	23,579	60,839
2013	1,430,561	56,225	126,989	882,172	258,243	20,008	23,985	62,939
2014	1,440,549	63,313	135,489	874,030	256,602	23,467	25,408	62,240
2015	1,440,298	68,923	137,912	887,009	256,201	39,908	26,858	58,732
2016	1,440,908	73,597	147,188	887,526	247,506	32,842	29,347	60,703

Source: Ministry of Education / INEP / Secretary of Education.

Compiled by: IMB / SEGPLAN-GO / Department of Systematization and Dissemination of Socioeconomic Information – 2017.

STATE OF GOIÁS, Midwest and Brazil: Number of schools, registrations and teachers at university level – 2013 – 15.

Region	University Education								
	Schools			Registrations			Teachers		
	2013	2014	2015	2013	2014	2015	2013	2014	2015
Goiás	81	84	85	201,515	210,018	209,158	13,315	13,510	13,559
Midwest	241	239	235	575,515	611,927	617,317	34,348	35,975	36,479
Brazil	2,391	2,368	2,364	6,152,405	6,486,171	6,633,545	383,683	396,595	401,299

Source: Ministry of Education / Anísio Teixeira National Institute of Studies and Educational Researches.

Compiled by: IMB / SEGPLAN-GO / Department of Systematization and Dissemination of Socioeconomic Information – 2017.

STATE OF GOIÁS, Midwest and Brazil: Number of higher education institutions according to academic structure and location – 2013 – 15.

Specification	Institutions														
	Total			Universities			Academic Centers			Colleges			CEFET and IFET		
	2013	2014	2015	2013	2014	2015	2013	2014	2015	2013	2014	2015	2013	2014	2015
Goiás	81	84	85	4	4	4	4	4	4	71	74	75	2	2	2
Public	8	8	8	3	3	3	1	1	1	2	2	2	2	2	2
Federal	3	3	3	1	1	1	-	-	-	-	-	-	2	2	2
State	1	1	1	1	1	1	-	-	-	-	-	-	-	-	-
Municipal	4	4	4	1	1	1	1	1	1	2	2	2	-	-	-
Private	73	76	77	1	1	1	3	3	3	69	72	73	-	-	-
Midwest	241	239	235	14	14	14	13	14	14	209	206	202	5	5	5
Public	19	20	19	9	9	9	1	1	1	4	5	4	5	5	5
Federal	10	10	10	5	5	5	-	-	-	-	-	-	5	5	5
State	4	5	5	3	3	3	-	-	-	1	2	2	-	-	-
Municipal	5	5	4	1	1	1	1	1	1	3	3	2	-	-	-
Private	222	219	216	5	5	5	12	13	13	205	201	198	-	-	-
Brazil	2,391	2,368	2,364	195	195	195	140	147	149	2,016	1,986	1,980	40	40	40
Public	301	298	295	111	111	107	10	11	9	140	136	139	40	40	40
Federal	106	107	107	62	63	63	-	-	-	4	4	4	40	40	40
State	119	118	120	38	38	38	1	2	1	80	78	81	-	-	-
Municipal	76	73	68	11	10	6	9	9	8	56	54	54	-	-	-
Private	2,090	2,070	2,069	84	84	88	130	136	140	1,876	1,850	1,841	-	-	-

Source: Ministry of Education / Anísio Teixeira National Institute of Studies and Educational Researches.

Compiled by: IMB / SEGPLAN-GO / Department of Systematization and Dissemination of Socioeconomic Information – 2017.

CEFET and IFET – Federal Center of Technological Education and the Federal Office of Education, Science and Technology

STATE OF GOIÁS, Midwest and Brazil: Illiteracy rate of people of 15 years and over – 2011 – 15.

Region	Illiteracy rate of people of 15 years and over (%)				
	2011	2012	2013	2014	2015
Goiás	7.17	7.29	7.05	7.68	6.09
Midwest	6.34	6.70	6.51	6.45	5.69
Brazil	8.59	8.67	8.52	8.27	7.95

Source: IBGE / PNAD.

Compiled by: IMB / SEGPLAN-GO / Department of Systematization and Dissemination of Socioeconomic Information – 2017.

STATE OF GOIÁS, Midwest and Brazil: Illiteracy rate of people of 10 years and over – 2011 – 15.

Region	Illiteracy rate of people of 10 years and over (%)				
	2011	2012	2013	2014	2015
Goiás	6.60	6.70	6.49	7.05	5.60
Midwest	5.78	6.13	5.98	5.93	5.24
Brazil	7.90	7.98	7.87	7.68	7.38

Source: IBGE / PNAD.

Compiled by: IMB / SEGPLAN-GO / Department of Systematization and Dissemination of Socioeconomic Information – 2017.

STATE OF GOIÁS: Illiteracy rate of people of 10 years and over, according to residence - 2011 – 15. (%)

Situation	Literate	Illiterate	Undefined
2011			
Total	93.40	6.60	-
Urban	93.67	6.33	-
Rural	90.29	9.71	-
2012			
Total	93.28	6.70	-
Urban	93.86	6.14	-
Rural	87.00	13.00	-
2013			
Total	93.51	6.49	-
Urban	93.88	6.14	-
Rural	89.54	10.46	-
2014			
Total	92.94	7.05	-
Urban	93.43	6.59	-
Rural	87.77	12.23	-
2015			
Total	94.40	5.60	-
Urban	94.74	5.28	-
Rural	90.81	9.19	-

Source: IBGE.

Compiled by: IMB / SEGPLAN-GO / Department of Systematization and Dissemination of Socioeconomic Information – 2017.

13 – PUBLIC SANITATION

STATE OF GOIÁS: Water Supply and Sewerage System – 2007 – 17.

Year	Water					Sewerage				
	Population serviced (thou inhab)	Population serviced (%)	Distribution System (thou m)	Volume (thou m³/year)		Population serviced (thou inhab)	Population serviced (%)	Distribution System (thou m)	Volume (thou m³/year)	
				Produced	Billed				Produced	Billed
2007	4,128	85	19,845	321,840	200,013	1,749	36	5,916	96,024	75,994
2008	4,330	86	20,345	320,951	205,115	1,872	37	6,242	99,188	77,961
2009	4,465	87	20,705	327,005	209,499	1,997	39	6,575	103,133	88,577
2010	4,602	90	21,444	346,664	228,252	2,015	39	6,731	111,788	97,199
2011	4,729	91	22,021	357,253	237,165	2,134	41	7,280	116,541	101,701
2012	4,887	94	22,796	368,737	252,179	2,298	44	9,202	125,483	109,475
2013	5,173	94	23,865	377,024	260,790	2,487	45	9,392	132,253	117,296
2014	5,292	95	24,330	389,359	269,842	2,718	49	9,545	140,494	125,201
2015	5,409	96	24,849	386,688	263,385	2,903	52	9,605	141,736	126,217
2016	5,484	97	27,543	384,618	263,268	3,108	55	10,065	144,803	131,274
2017 (1)	5,515	97	26,968	126,057	21,525	3,178	56	10,554	12,263	43,488

Source: Goiás Sanitation S/A.

Compiled by: IMB / SEGPLAN-GO / Department of Systematization and Dissemination of Socioeconomic Information – 2017.

(1) Position: april. The information regarding volume refer to the period of january to april.

STATE OF GOIÁS: Water pipe connections according to category – 2007 – 17.

Year	Total	Residence	Trade	Industry	Public	Social	Commercial 2
2007	1,248,696	1,063,381	46,498	12,348	18,007	87,989	20,473
2008	1,320,373	1,129,110	54,325	14,840	18,754	84,975	18,369
2009	1,391,219	1,180,013	64,791	18,383	19,887	86,611	21,534
2010	1,475,989	1,264,314	71,527	22,031	20,931	78,177	19,009
2011	1,570,974	1,355,424	78,425	24,970	22,041	72,671	17,443
2012	1,665,813	1,456,337	88,152	27,644	22,872	57,331	13,477
2013	1,761,328	1,545,762	95,867	29,430	23,664	54,766	11,839
2014	1,857,106	1,644,717	105,772	30,394	24,379	42,932	8,912
2015	1,941,424	1,730,601	113,254	30,397	25,017	34,407	7,748
2016	2,021,783	1,811,866	120,023	29,044	25,437	29,372	6,041
2017 (1)	2,042,951	1,832,598	123,084	28,094	24,586	28,817	5,772

Source: Goiás Sanitation S/A.

Compiled by: IMB / SEGPLAN-GO / Department of Systematization and Dissemination of Socioeconomic Information – 2017.

(1) Position: april.

STATE OF GOIÁS: Water pipe meters according to category – 2007 – 17.

Year	Total	Residence	Trade	Industry	Public	Social	Commercial 2
2007	1,436,354	1,208,823	65,639	13,411	21,756	90,984	35,741
2008	1,510,217	1,276,169	76,157	16,091	22,608	87,915	31,277
2009	1,583,901	1,334,857	81,788	19,820	22,866	90,103	34,467
2010	1,666,581	1,417,914	89,396	23,698	23,878	81,185	30,510
2011	1,762,883	1,510,113	97,550	26,951	24,976	75,438	27,855
2012	1,862,084	1,615,279	109,528	29,657	25,931	59,675	22,014
2013	1,959,395	1,706,230	118,130	31,825	26,787	57,006	19,417
2014	2,062,286	1,812,019	130,549	32,686	27,632	44,562	14,838
2015	2,146,901	1,898,420	138,974	32,528	28,330	35,850	12,799
2016	2,227,925	1,981,380	144,591	30,836	28,815	30,669	9,634
2017 (1)	2,249,311	2,002,496	149,835	29,784	27,888	30,076	9,232

Source: Goiás Sanitation S/A.

Compiled by: IMB / SEGPLAN-GO / Department of Systematization and Dissemination of Socioeconomic Information – 2017.

(1) Position: april.

14 – PUBLIC HEALTH

STATE OF GOIÁS, Midwest and Brazil: Hospital, Beds, Registered establishments and Health professional – Position: april/2017.

Especification	Registered Establishments	Health professional	Beds (1)		
			Total	SUS	Not SUS
Goiás	9,383	76,870	19,636	11,865	7,771
Midwest	21,027	204,145	41,667	26,284	15,383
Brazil	300,026	2,620,673	495,295	335,724	159,571

Source: Ministry of Health.

Compiled by: IMB / SEGPLAN-GO / Department of Systematization and Dissemination of Socioeconomic Information – 2017.

(1) Hospital beds plus additional ICU beds

15 – SOCIAL INDICES

STATE OF GOIÁS, Midwest and Brazil: Total fertility rate, gross birthrate, infant mortality rate and life expectancy at birth – 2000 and 2016.

Region	Total fertility rate (1)		Gross birthrate (2)		Infant mortality rate (3)		Life expectancy at birth	
	2000	2016	2000	2016	2000	2016	2000	2016
Goiás	2.20	1.59	21.40	13.45	23.90	14.93	71.4	74.2
Midwest	2.30	1.67	21.50	14.31	23.30	14.36	71.8	75.1
Brazil	2.40	1.69	21.40	13.87	30.10	13.29	70.4	75.7

Source: IBGE.

Compiled by: IMB / SEGPLAN-GO / Department of Systematization and Dissemination of Socioeconomic Information – 2017.

(1) Average number of live-born children per woman

(2) Number of live-born children per 1,000 inhabitants

(3) Number of deceased per 1,000 live-born infants

STATE OF GOIÁS and Brazil: Municipal Human Development Index -1991, 2000 and 2014.

Especificação	IDH-M			IDH-M Longevity			IDH-M Education			IDH-M Income			Ranking		
	1991	2000	2014	1991	2000	2014	1991	2000	2014	1991	2000	2014	1991	2000	2014
Goiás	0.487	0.615	0.750	0.668	0.773	0.814	0.278	0.439	0.697	0.633	0.686	0.739	9º	9º	8º
Brazil	0.492	0.612	0.761	0.662	0.727	0.836	0.278	0.456	0.706	0.647	0.692	0.741	-	-	-

Fonte: PNUD / IPEA / FJP / IBGE.

Compiled by: IMB / SEGPLAN-GO / Department of Systematization and Dissemination of Socioeconomic Information – 2017.

Note: There was a change in the methodology for calculating the IDHM compared to previous publication. Values IDHM 1999 and 2000 have been recalculated based on the new methodology. Therefore comparisons between indicators and analysis should be made only within the platform Atlas Brazil 2013.

Classification according IDH: Very high (above de 0,800)
 High (0,700 to 0,799)
 Medium (0,600 to 0,699)
 Low (0,500 to 0,599)
 Very low (0 to 0,500)

16 - EMPLOYMENT

STATE OF GOIÁS, Midwest and Brazil: Variation of the employment level – 2015 – 17.

Region	2015			2016			2017 (1)		
	Admissions	Dismissals	Balance	Admissions	Dismissals	Balance	Admissions	Dismissals	Balance
Goiás	655,573	680,124	-24,551	557,337	376,691	-19,354	254,154	220,184	33,970
Midwest	1,676,252	1,743,260	-67,008	1,406,160	1,473,470	-67,310	622,984	570,582	52,402
Brazil	17,707,267	19,249,638	-1,542,371	14,738,646	16,000,640	-1,321,994	6,294,499	6,245,956	48,543

Source: Ministry of Labor and Employment.

Compiled by: IMB / SEGPLAN-GO / Department of Systematization and Dissemination of Socioeconomic Information – 2017.

(1) –January to may.

STATE OF GOIÁS: Balance of the variation of employment level according to the economic activity, as per municipality - 2016 – 2017.

Economic Activity	Estado de Goiás		Anápolis		Aparecida de Goiânia		Goiânia		Rio Verde	
	Balance(jan-apr)		Balance(jan-apr)		Balance(jan-apr)		Balance(jan-apr)		Balance(jan-apr)	
	2016	2017	2016	2017	2016	2017	2016	2017	2016	2017
Total	12,522	33,970	-904	428	-199	1,043	-4,738	3,024	521	1,942
Extractive/ Mineral	-533	305	-1	-6	-15	-1	49	4	-3	0
Manufacture Ind,	5,380	10,335	-368	276	-314	161	-814	31	-192	574
Public utilities	189	538	-10	-88	-17	65	232	129	-8	393
Civil Construction	1,781	2,576	-14	-43	812	132	-533	1,198	198	-101
Trade	-5,640	204	-336	-261	-467	-137	-3,076	-259	-155	-40
Services	2,801	9,716	-256	546	-188	823	-479	1,908	458	622
Public Administr,	-95	-32	0	-2	-1	0	-110	12	0	0
Farming	8,639	10,328	81	6	-9	0	-7	1	223	494

Source: Ministry of Labor and Employment.

Compiled by: IMB / SEGPLAN-GO / Department of Systematization and Dissemination of Socioeconomic Information – 2017.

Note: Variation of employment level

Balance indicates the difference between admissions and dismissals during a fixed period of time

STATE OF GOIÁS, Midwest and Brazil: Number of formal jobs and average pay – 2012 -15.

Region	Formal Jobs (thousand)				Average pay (R\$)			
	2012	2013	2014	2015	2012	2013	2014	2015
Goiás	1,439	1,509	1,514	1,501	1,704.53	1,791.11	2,039.90	2,186.88
Midwest	3,983	4,240	4,294	4,212	2,393.36	2,438.12	2,762.27	3,027.99
Brazil	47,459	48,948	49,571	48,061	1,996.90	2,073.45	2,352.42	2,541.18

Source: Ministry of Labor and Employment./ RAIS.

Compiled by: IMB / SEGPLAN-GO / Department of Systematization and Dissemination of Socioeconomic Information – 2017.

Note: There was an error in RAIS in the year 2012 in the city of Alexânia-GO, Microregion Surrounding the DF, specifically in the activity of Repair and Maintenance of Motor Vehicles. Thus the municipality were subtracted 10,724 jobs for correction.

STATE OF GOIÁS: Number of formal jobs – 2012 – 15.

Economic Activity	2012	2013	2014	2015	Absolute Change 2015/2014	Variation (%)2015/2014
Total	1,439,341	1,509,395	1,514,532	1,501,397	-13.135	-0.87
Extractive/ Mineral	9,224	8,749	8,595	8,811	216	2.51
Manufacture Ind,	236,483	248,639	251,031	238,040	-12.991	-5.18
Public utilities	10,251	11,389	12,285	12,452	167	1.36
Civil Construction	91,219	84,238	77,684	66,594	-11.090	-14.28
Trade	280,552	293,555	303,640	300,080	-3.560	-1.17
Services	410,347	428,189	448,603	451,878	3.275	0.73
Public Administr,	314,334	344,659	322,157	330,608	8.451	2.62
Farming	86,931	89,977	90,537	92,934	2.397	2.65

Source: Ministry of Labor and Employment.

Compiled by: IMB / SEGPLAN-GO / Department of Systematization and Dissemination of Socioeconomic Information – 2017.

Note: There was an error in RAIS in the year 2012 in the city of Alexânia-GO, Microregion Surrounding the DF, specifically in the activity of Repair and Maintenance of Motor Vehicles. Thus the municipality were subtracted 10,724 jobs for correction.

STATE OF GOIÁS: People of 10 years and over and economically active population (PEA) - 2005 – 15.

(thou inhabitants)

Year	Resident Population	People of 10 years and over	Economically Active Population (PEA)	Proportion of PEA / Resident Population (%)
2005	5,676	4,678	2,971	52.34
2006	5,778	4,827	3,015	52.18
2007	5,874	4,933	3,173	54.02
2008	5,965	5,009	3,251	54.50
2009	6,053	5,104	3,357	55.46
2010 (1)	6,004	5,093	3,158	52.60
2011	6,218	5,306	3,313	53.28
2012	6,296	5,386	3,347	53.16
2013	6,456	5,563	3,433	53.17
2014	6,544	5,634	3,515	53.71
2015	6,631	5,731	3,557	53.64

Source: IBGE.

Compiled by: IMB / SEGPLAN-GO / Department of Systematization and Dissemination of Socioeconomic Information – 2017.

(1) For 2010 Census. Intercenso PNAD.

Note: The data in this table were reweighted by the 2008 revision of population projections, by IBGE, including the trend from 2000 to 2010.

STATE OF GOIÁS, Midwest and Brazil: People 10 years or older, working at the week in question, according to the income classes of all jobs – 2015.

(thou inhabitants)

Nominal Income	Goias	(%)	Midwest	(%)	Brazil	(%)
Total	3,277	100.00	7,642	100.00	95,380	100.00
Up to 1 Minimum Salaries	762	23.25	1,441	18.86	24,456	25.64
From 1 to 2 Minimum Salaries	1,312	40.04	2,993	39.17	35,006	36.70
From 2 to 3 Minimum Salaries	487	14.86	1,143	14.96	11,943	12.52
From 3 to 5 Minimum Salaries	323	9.86	812	10.63	8,326	8.73
From 5 to 10 Minimum Salaries	190	5.80	611	8.00	5,494	5.76
From 10 to 20 Minimum Salaries	47	1.43	228	2.98	1,916	2.01
Over 20 Minimum Salaries	10	0.31	72	0.94	533	0.56
No Income	117	3.57	280	3.66	6,196	6.50
Undeclared	28	0.85	63	0.82	1,512	1.59

Source: IBGE

Compiled by: IMB / SEGPLAN-GO / Department of Systematization and Dissemination of Socioeconomic Information – 2017.

(1) Including those who received only some kind of social benefit.

Note: The data in this table were reweighted by the 2008 revision of population projections, by IBGE, including the trend from 2000 to 2010.

STATE OF GOIÁS, Midwest and Brazil: Value of monthly income and Gini Index of all income sources for employed people over 15 years old – 2013 - 15.

Region	Average income of employed people – (R\$)			Gini Index (1)		
	2013	2014	2015	2013	2014	2015
Goiás	1,600	1,634	1.726	0.458	0.433	0.421
Midwest	1,930	1,995	2.127	0.505	0.487	0.481
Brazil	1,539	1,644	1.737	0.495	0.490	0.485

Source: IBGE.

Compiled by: IMB / SEGPLAN-GO / Department of Systematization and Dissemination of Socioeconomic Information – 2017.

(1) Measures the degree of concentration of distribution, whose value varies from zero (perfectly equal) to one (maximum inequality).

(2) People of 15 years and over.

Note: The data in this table were reweighted by the 2008 revision of population projections, by IBGE, including the trend from 2000 to 2010.

STATE OF GOIÁS, Midwest and Brazil: Economically Active Population (PEA) – 2005– 15.

(thou inhabitants)

Year	Goiás	Midwest	Brazil	Share (%)	
				Goiás / Midwest	Goiás / Brazil
2005	2,971	7,025	95,747	42.29	3.10
2006	3,015	7,094	96,890	42.50	3.11
2007	3,173	7,381	97,875	42.99	3.24
2008	3,251	7,568	99,479	42.96	3.27
2009	3,357	7,752	101,073	43.30	3.32
2010 (1)	3,158	7,365	93,505	42.88	3.38
2011	3,313	7,786	100,223	42.55	3.31
2012	3,347	7,875	100,979	42.50	3.31
2013	3,433	7,979	103,401	43.03	3.32
2014	3,515	8,304	106,824	42.33	3.29
2015	3,557	8,234	105,519	42.94	3.37

Source: IBGE.

Compiled by: IMB / SEGPLAN-GO / Department of Systematization and Dissemination of Socioeconomic Information – 2017.

(1) For 2010 Census. Intercenso PNAD.

Note: The data in this table were reweighted by the 2008 revision of population projections, by IBGE, including the trend from 2000 to 2010.

17 - PUBLIC FINANCE

STATE OF GOIÁS: Gross revenue – 2007 – 17 (R\$ thousand).

Year	Total	Taxes					Other Revenue
		Total	ICMS	IPVA	ITCD	Other Taxes	
2007	8,623,466	5,799,062	5,449,414	306,360	38,256	5,032	2,824,404
2008	10,356,686	7,023,955	6,538,716	354,010	56,222	75,009	3,332,731
2009	10,685,179	7,461,040	6,810,431	437,757	62,303	150,549	3,224,139
2010	12,797,893	8,940,598	8,170,085	526,868	69,346	174,299	3,857,296
2011	17,161,476	10,808,682	9,875,178	630,034	101,597	201,873	6,352,794
2012	18,964,509	12,415,479	11,369,285	695,508	138,639	212,047	6,549,030
2013	19,883,417	13,426,642	12,137,751	796,867	159,329	332,695	6,456,774
2014	22,198,908	14,645,884	13,252,854	914,365	181,374	297,291	7,553,024
2015	22,196,570	15,398,097	13,745,217	1,063,052	301,091	288,736	6,798,474
2016	23,548,150	16,315,021	14,334,661	1,319,626	249,219	411,515	7,233,128
2017 (1)	7,012,931	6,652,089	5,917,215	435,890	104,231	194,752	360,842

Source: State Treasury Secretary.

Compiled by: IMB / SEGPLAN-GO / Department of Systematization and Dissemination of Socioeconomic Information – 2017.

(1) January to may.

ICMS – Tax on Transit of Goods and Services

IPVA – Tax on Automotive Vehicles

ITCD - Tax Transfer Cause Mortis and Donation of any goods or Rights

STATE OF GOIÁS: ICMS - Wholesale Distributing Trading – 2014 – 17 (R\$) .

Specification	2014	2015	2016	2017 (1)
ESTADO DE GOIÁS	13,252,854,013.35	13,745,216,759.11	14,334,660,670.02	5,917,215,321.56
Trade and Wholesale Distributor	1,963,901,747.29	1,915,911,972.69	2,110,911,186.79	900,298,138.28
Retail Commerce	1,525,722,387.66	1,514,043,468.89	1,626,758,062.80	715,040,531.69
Mineral or fossil extraction	146,688,354.71	120,473,812.49	95,279,232.71	26,871,584.33
Industry	2,571,201,398.92	2,606,687,618.01	2,576,728,064.66	1,066,810,525.57
Services	257,977,370.88	275,649,510.31	293,900,806.76	115,133,498.42
Farming	211,701,049.44	216,981,107.49	230,567,526.54	94,012,404.91
Combustible	3,490,243,647.09	3,575,692,873.27	3,805,961,600.68	1,600,869,317.35
Communication	1,037,887,326.12	1,048,065,526.23	1,054,362,936.66	474,825,519.48
Electric Power	1,564,521,497.12	2,025,817,126.06	2,084,798,171.01	729,172,081.12
Others	483,009,234.12	445,893,743.67	455,393,081.41	194,181,720.41

Source: State Treasury Secretary.

Compiled by: IMB / SEGPLAN-GO / Department of Systematization and Dissemination of Socioeconomic Information – 2017.

(1) January to may.

18 – STATE BUDGET

STATE OF GOIAS: Budget Consolidation - 2017. (R\$ thousand)

Budgets	Treasure	Other Sources	Total	%
Fiscal Budget	17,828,185	2,911,853	20,740,038	82.86
Direct Administration	12,301,360	201,250	12,502,610	49.95
Indirect Administration	1,497,083	115,486	1,612,569	6.44
Special Funds	4,029,742	2,595,117	6,624,859	26.47
Budget and Social Security	2,106,930	1,515,033	3,621,963	14.47
Direct Administration	5,290	9,340	14,630	0.06
Indirect Administration	40	1,278,298	1,278,338	5.11
Special Funds	2,101,600	227,395	2,328,995	9.30
Investment Budget of State Enterprises	-	668,656	668,656	2.67
Grand Total	19,935,115	5,095,542	25,030,657	100.00

Source: SEPLAN / GO / Budget Law of the State of Goiás - 2017

Compiled by: Institute Mauro Borges / SEGPLAN-GO / Department of Systematization and Dissemination of Socioeconomic Information - 2017.

STATE OF GOIAS: Statement of Social Security Budget. revenue per organ. as the sources of funds and economic categories - 2017 (R\$ thousand).

Organs/Units	Source		Economic category		Total
	Treasure	Others	Current	Capital	
Direct Administration					
Secretary of Women and Social Development. the Racial Equality. the work of the Human Rights	290	9,340	550	9,080	9,630
Secretary of Health	5,000	-	5,000	-	5,000
Indirect Administration					
Care Institute of Public Servants of the State of Goiás - Ipasgo	-	1,225,000	1,137,970	87,030	1,225,000
Goiás Security - GOIASPREV	40	53,298	46,428	6,910	53,338
Special Funds					
Social Assistance Fund - FEAS	43,470	4,127	47,129	468	47,597
State Fund for the Rights Of The Child and Adolescent - FECAD	20	20	40	-	40
State Health Fund - FES	2,058,110	216,098	2,121,373	152,835	2,274,208
Special Fund for the Management of State Public Health School of Goiás Candido Santiago - FUNGESP	-	7,150	6,084	1,066	7,150
Total	2,106,930	1,515,033	3,364,574	257,389	3,621,963

Source: SEPLAN / GO / Budget Law of the State of Goiás - 2017

Compiled by: Institute Mauro Borges / SEGPLAN-GO / Department of Systematization and Dissemination of Socioeconomic Information - 2017.

STATE OF GOIAS: Spending in 2015 and Fixed Expenses in 2016 (R\$ thousand).

Discrimination	Expenditure in 2015	Fixed expense in 2016
Current Expenditure	18,628,551	18,946,877
Staff and social charges	12,506,911	12,141,895
Interest and debt service charges	1,009,269	900,500
Other current expenditure	5,112,371	5,904,482
Capital expenditure	3,224,839	4,558,731
Investment	1,491,719	3,390,304
Financial investments	89,019	94,449
Amortization of debt	1,644,101	1,073,978
Contingency reserve	-	879,675
Total	21,853,390	24,385,283

Source: SEPLAN / GO / Budget Law of the State of Goiás - 2017

Compiled by: Institute Mauro Borges / SEGPLAN-GO / Department of Systematization and Dissemination of Socioeconomic Information – 2017.

STATE OF GOIAS: Evolution of General Revenue Collected - 2013 - 17 (R\$ million).

Specification	2013	2014	2015	2016 ⁽¹⁾	2017 ⁽¹⁾
Current revenue	17,646	18,787	20,330	22,940	23,756
Tax revenue	13,340	14,140	15,512	17,674	18,089
Taxes	13,264	14,137	15,511	17,672	18,021
Taxes free yield and patrimony	1,783	1,832	2,427	2,560	2,990
Taxes free income and earnings of any nature	856	822	1,101	1,142	1,313
Taxes without ownership of Motor Vehicles	771	844	1,029	1,151	1,314
Transfer tax	155	166	296	267	363
Tax without the production and circulation	11,481	12,306	13,084	15,112	15,032
Fee	77	3	1	2	68
Patrimony revenue	134	100	46	59	73
Agricultural Revenue	0	0	0	0	0
Revenue from services	0	0	0	0	23
Current transfers	3,818	4,105	4,452	4,844	5,161
Other current revenue	353	440	320	362	409
Capital revenue	1,346	2,751	742	2,213	1,815
Credit operations	1,344	2,341	556	1,954	475
Disposal of property	0	410	0	259	1,057
Other capital revenue	1	0	186	0	283
Deductions	-5,627	-5,994	-6,499	-7,433	-7,561
Total revenue of the treasury	13,364	15,544	14,573	17,720	18,010
Total transfer agreements	102	641	53	325	211
Total revenue for autarchy and foundations	1,995	3,301	1,680	2,261	2,056
(Exclusive treasury transfers)					
Total revenue from special funds	1,685	1,848	3,602	4,079	4,086
(Exclusive treasury transfers)					
Total revenue of the companies (estimated)	1,179	865	849	863	669
(Exclusive treasury transfers)					
Total general revenue	18,325	22,199	20,757	25,249	25,031

Source: SEPLAN / GO / Budget Law of the State of Goiás - 2017

Compiled by: Institute Mauro Borges / SEGPLAN-GO / Department of Systematization and Dissemination of Socioeconomic Information - 2017.

(1)- estimated

STATE OF GOIAS: Fixed expenses by function of government - 2015 - 17 (R\$ thousand).

Budget Function	Budgeted Amount 2015	Budgeted Amount 2016	Budgeted Amount 2017
Total	24,119,477	24,385,283	24,362,001
Education	4,127,428	4,394,644	4,670,481
Health	2,903,972	3,107,008	3,418,266
Administration	2,550,786	2,135,687	3,109,703
Social Security	2,318,532	2,728,187	3,073,732
Public Security	2,502,662	2,477,626	3,011,546
Special Taxes	3,685,501	2,348,718	2,280,410
Judiciary	1,093,734	1,130,739	1,321,935
Legislative	593,750	702,228	751,139
Transport	1,460,249	2,295,761	689,113
Essential to Justice	359,697	374,538	483,948
Science and Technology	498,274	465,527	386,806
Contingency Reserve	874,535	879,675	356,721
Social Assistance	187,366	225,482	207,973
Agriculture	139,395	142,826	124,787
Citizenship Rights	243,677	172,953	99,949
Urbanism	220,498	485,962	90,829
Culture	63,797	70,150	67,123
Sport and Leisure	73,046	46,240	45,337
Commerce and Services	69,656	51,090	44,658
Industry	97,837	59,885	38,072
Housing	7,960	12,536	35,202
Environmental Management	19,800	28,083	15,966
Work	14,108	23,188	13,975
Sanitation	11,160	12,230	13,870
Energy	1,330	12,620	9,210
Communication	717	1,700	1,250
Foreign	10	-	-

Source: SEPLAN / GO / SOR – Oversight of Budget and Expenses.

Compiled by: Institute Mauro Borges / SEGPLAN-GO / Department of Systematization and Dissemination of Socioeconomic Information – 2017.

STATE OF GOIAS: Budget 2017 - Major Programs. (R\$ thousand).

Program	Budgeted amount
Total	131,880,078
Special charges	47,158,914
Promotion Program , Prevention and Protection of Comprehensive Health Care	29,849,869
Administrative Support Program	18,650,582
Program Improvement of Physical Infrastructure, Pedagogical and Technological	12,635,607
Program Assistance to Health Ipasgo Users	6,190,560
Strategic Planning and Management Program	3,213,648
Rodovida program	2,336,472
Excellence and Equity Program - Actions for the Development and Improvement of Education	2,254,546
Contingency Reserve	1,004,793
Protection and Social Inclusion Program	671,947
Citizen Income Program	619,864
DMV Citizen Program	616,344
Program Support, Promotion and Strengthening of Goian Culture	531,036
Prison Administration Improvement Program for Promotion of resocialization	492,201
Bolsa Future Innovator	469,492
Modernization of Public Management Program	464,284
Transportation Infrastructure Program and Urban Mobility	412,912
Program Structure , Modernization and Integration of Public Security Units	353,488
Program Traffic Aware and Responsible	338,378
Other programs	3,615,141

Source: SEPLAN / GO SOR – Oversight of Budget and Expenses.

Compiled by: Institute Mauro Borges / SEGPLAN-GO / Department of Systematization and Dissemination of Socioeconomic Information - 2017.

19 – FINANCING AND INVESTMENTS

STATE OF GOIÁS. Midwest and Brazil: Investments – BNDES - Outlay - 2010 – 16 (R\$ thousand).					
Year	Goiás	Midwest	Brazil	Share %	
				Goiás/Midwest	Goiás/Brazil
2010	4,340,815	11,366,573	168,422,854	38.19	2.58
2011	4,386,624	11,348,000	138,873,000	38.66	3.16
2012	3,145,352	20,098,081	155,992,270	15.65	2.16
2013	5,085,454	20,898,732	190,419,035	24.33	2.67
2014	5,445,174	21,630,281	187,836,869	25.13	2.90
2015	3,350,910	12,905,021	135,942,045	25.96	2.46
2016	2,360,805	10,206,850	88,256,501	23.13	2.67

Source: Brazilian Social and Economical Development Bank.

Compiled by: IMB / SEGPLAN-GO / Department of Systematization and Dissemination of Socioeconomic Information – 2017.

STATE OF GOIÁS: Approved projects with incentives/PRODUZIR – 2010 – 15.			
Ano	Companies	Nº of jobs	Fixed investment (R\$ thousand)
2010	93	7,135	764,918
2011	73	5,810	2,018,967
2012	78	5,414	786,889
2013	108	7,374	977,103
2014	77	5,781	301,029
2015	85	3,995	254,628

Source: SIC-GO / PRODUZIR.

Compiled by: IMB / SEGPLAN-GO / Department of Systematization and Dissemination of Socioeconomic Information – 2017.

STATE OF GOIÁS: Approved projects with incentives/PRODUZIR by activity – Position: 2016.

Activity	Companies	Nº of jobs	Fixed investment (R\$ thousand)
Grand total	66	3,032	750,288
Cans for beverages and lids	1	235	441,244
Cleaning products	1	6	89,938
Manufacture of plastics meat	1	427	33,000
Mineral water exploration	1	29	30,780
Vegetable oils	1	94	20,691
Products of animal origin	1	71	16,040
Plastic parts pvc	1	130	15,572
Imp.e exp. Food	1	43	15,138
Food & Beverage Outlets	1	92	14,500
Agricultural and livestock equipment	1	34	10,300
Knitting	1	150	9,000
Dairy Products	2	51	5,205
Food Industrialization	1	60	5,000
Mattresses	1	38	4,611
Recycling	1	34	4,019
Metal structure	1	44	3,828
Benefic. Ores of precious metals	1	28	3,560
Ice cream and other ice cream	1	70	2,735
Imp. And mobile exports	1	40	2,000
Manufacture of beers and draft beer	1	20	1,959
Products in natura	1	54	1,837
Prod. Concrete plaster	1	62	1,670
Equip. Agricultural Irrigation	1	51	1,626
Manufacture of footwear	1	21	1,379
Import and Export	1	2	1,345
Manufacture of mattresses	1	26	1,129
Pharmaceutical Packaging	1	20	1,000
Construction materials	1	46	1,000
Furniture in general	1	20	811
Manufacture of disinfectants	1	50	730
Surgical threads	1	158	705
Furniture Manufacture	1	9	700
Hardware for building	1	18	669
Machines and tools	1	50	653
Wheat flour	1	16	527
Fertilizers and fertilizers	1	6	500
Charge transport	1	11	500
Equip. of monitoring	1	8	492
Trans. Of metals	1	18	488
Prod. pharmaceutical	1	20	378
Prod. Food	1	26	370
Fab.com.imp.ferro	1	18	325
Warehousing and processing	1	8	300
Computer Equipment	1	19	295
Cosmetics and supplements	1	30	255
Fridge	1	304	250
Stamping artifacts. of metal	1	21	190
Export of inputs	1	30	188
Bakery Products	1	20	157
Fab. Of prod. Inorganic	1	12	119
Hydrometers and med. pressure	1	6	108
Fab. Of prod. Food	1	30	100
Other Activities	13	146	373

Source: SIC-GO / PRODUZIR.

Compiled by: IMB / SEGPLAN-GO / Department of Systematization and Dissemination of Socioeconomic Information – 2017.

STATE OF GOIÁS and Midwest: Admission programs using CFMW funds – 2016 – 2017.

Program	Goiás				Midwest			
	Quantity		Nominal values (R\$ 1.000)		Quantity		Nominal values (R\$ 1.000)	
	2016	2017(1)	2016	2017(1)	2016	2017(1)	2016	2017(1)
Total	12,715	2,174	1,679,617	348,104	29,051	4,445	4,355,423	772,597
Companies	825	357	225,575	47,966	2,440	602	606,156	80,905
Industrial	157	62	79,491	10,576	331	92	154,615	15,433
Infrastructure	23	0	10,187	0	28	1	31,312	263
Tourism	34	22	19,585	1,989	126	38	44,819	3,384
Trade / Services / CT & I	611	273	116,312	35,401	1,955	471	375,410	61,825
Business transfer	17	1	5,796	273	99	43	32,812	6,257
Rural	6,551	1,041	1,145,006	249,779	12,117	1,839	2,750,306	522,097
Dev. Rural	6,535	1,036	1,140,304	246,881	11,942	1,816	2,651,805	512,960
ABC-Cons. Nature	16	4	4,702	2,799	72	12	70,152	6,684
ABC- ILPF	-	0	-	0	-	0	-	0
Retention matrices	-	1	-	99	103	11	28,348	2,453
Total PRONAF	5,211	729	282,227	41,319	13,836	1,763	814,564	115,483
PRONAF	4,889	671	274,932	40,013	12,576	1,618	788,844	112,585
PRONAF – RA	322	58	7,295	1,306	1,260	145	25,720	2,898
Rural – transfer	111	46	21,012	8,768	559	198	151,586	47,856

Source: Bank of Brazil / Constitutional Fund for the Midwest.

Compiled by: IMB / SEGPLAN-GO / Department of Systematization and Dissemination of Socioeconomic Information – 2017.

- CT & I: Science, Technology and Innovation

- ABC-ILPF: Low Cost Carbon Farming - Mode Crop-Livestock-Forest.

(1)-Position: February

STATE OF GOIÁS and Midwest: Jobs created per program with resources from CFMW – 2014 – 17.

Programa	Goiás				Midwest			
	2014	2015	2016	2017(1)	2014	2015	2016	2017(1)
Total	166,703	199,226	200,723	42,095	599,968	599,590	563,212	90,678
Total Companies	40,642	69,497	12,252	5,505	181,223	199,073	32,939	9,462
Industrial	16,855	42,922	3,996	1,954	64,146	85,686	8,337	2,694
Infrastructure	1,176	953	461	0	6,567	1,222	1,628	15
Tourism	16,643	20,785	6,055	3,172	89,425	94,942	20,045	5,499
Trade / Services / CT & I	5,107	4,428	1,740	218	18,428	15,698	2,929	355
Business transfer	861	409	315	161	2,657	1,525	1,577	899
Total Rural	126,061	129,729	188,156	36,590	418,745	400,517	528,696	81,216
Dev. Rural(1)	74,502	62,840	128,311	27,360	218,831	193,167	303,766	55,048
ABC-Cons. Nature	2,249	333	543	325	22,193	6,049	8,155	775
Retention of matrices	-	-	-	0	2,139	410	410	410
Total PRONAF	43,672	63,805	59,069	8,799	138,443	179,201	174,600	24,112
PRONAF	5,427	2,493	51,779	7,488	35,733	19,986	149,268	21,247
PRONAF – RA	211	258	7,290	1,311	1,406	1,704	25,332	2,865
Rural – transfer	166,703	199,226	233	106	599,968	599,590	41,765	871

Source: Bank of Brazil / Constitutional Fund for the Midwest.

Compiled by: IMB / SEGPLAN-GO / Department of Systematization and Dissemination of Socioeconomic Information – 2017.

- CT & I: Science, Technology and Innovation

- ABC-ILPF: Low Cost Carbon Farming - Mode Crop-Livestock-Forest.

(1)-Position: February

STATE OF GOIÁS: Contracts and Financings of the Agency of Incentives and Development of Goiás – 2015 – 16.

Specification	Amount of Contracts		Released Value (R\$ thousands)	
	2015	2016	2015	2016
Total	1,162	615	38,911,437	5,618,101
Own resources for investment	901	541	49,957	25,381
Working Capital	583	338	29,222	16,280
Fixed Investment	318	203	20,735	9,100
Own resources for activity	901	541	49,957	25,381
Trade	463	302	24,017	9,458
Services	326	180	19,142	7,799
Industry	112	58	6,798	2,748
Agribusiness(CRA)	-	1	-	5,375
Managed Funds	172	52	38,838,413	5,585,821
FUNMINERAL	20	1	4,321	7
Production Credit	96	-	1,634	-
Credi PAI	3	-	210	-
PRODUZIR – Inc. fiscal	53	51	38,832,248	5,585,814
Transfer Resources	89	22	23,067	6,899
FCO	70	20	19,248	6,327
BNDES	19	2	3,819	572

Source: Agency of Incentives and Development of Goiás S/A.

Compiled by: IMB / SEGPLAN-GO / Department of Systematization and Dissemination of Socioeconomic Information – 2017.

Systematization and Dissemination of Socioeconomic Informations Bureau

Technical group

Eduiges Romanatto (Manager)
Evelyn de Castro Cruvinel
Sueide Rodrigues de Souza Peixoto

Web release

Vanderson Soares

Editorial production and cover art

Jaqueline Vasconcelos Braga

*The reproduction of this text and its content data is allowed since providing its source.
Commercial reproductions are forbidden.*

July - 2017