

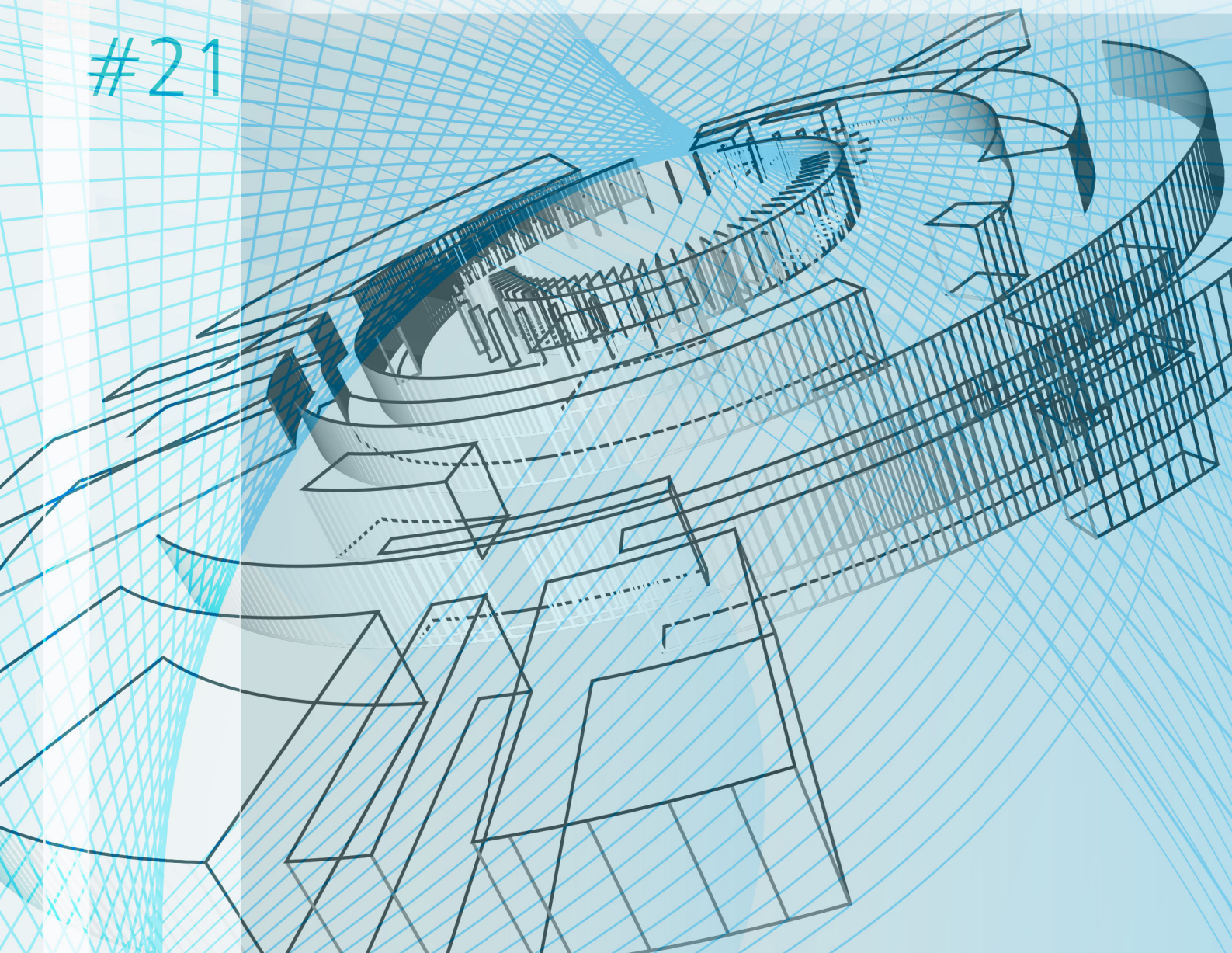
Quarterly basic statistics

STATE OF GOIÁS

ENGLISH VERSION

YEAR 11 - FEBRUARY / 2014

#21



SEGPLAN

SECRETARIA DE ESTADO DE
GESTÃO E PLANEJAMENTO



GOVERNO DE
GOIÁS
Fazendo o melhor pra você.

CONTENTS

1 – PHYSICAL / DEMOGRAPHIC ASPECTS.....	2
2 - ECONOMIC INDEX.....	4
3 – GROSS DOMESTIC PRODUCT (GDP)	4
4 – EXTRACTIVE INDUSTRY.....	6
5 – AGRICULTURE	7
6 – CATTLE RAISING	12
7 – INDUSTRY	15
8 – TRADE AND SERVICES	19
9 – BALANCE OF TRADE.....	24
10 – POWER.....	24
11 - TELEPHONE	26
13 - EDUCATION.....	27
14 – PUBLIC SANITATION	31
15 – PUBLIC HEALTH.....	32
16 – SOCIAL INDICES	32
17 - EMPLOYMENT	33
18– PEOPLE’S BANK	36
19 - PUBLIC FINANCE	36
20 – FINANCING AND INVESTMENTS.....	40

1 – PHYSICAL / DEMOGRAPHIC ASPECTS

STATE OF GOIÁS, Middle West and Brazil: Total area – November/ 2012.

Specification	Goiás	Middle West	Brazil	Share (%)	
				Goiás / Middle West	Goiás / Brazil
Área (km ²)	340,111.780	1,606,403.510	8,515,767.049	21.17	3.99

Source: IBGE.

Compiled by: IMB / SEGPLAN-GO / Department of Systematization and Dissemination of Socioeconomic Information – 2014.

STATE OF GOIÁS, Middle West and Brazil: Resident Population – 1980, 1991, 1996, 2000 – 13.

Year	Population (thou inhabitants)			Share (%)	
	Goiás	Middle West	Brazil	Goiás / Middle West	Goiás / Brazil
1980 (1)	3,121	6,806	119,003	45.86	2.62
1991	4,019	9,428	146,825	42.63	2.74
1996	4,515	10,501	157,070	43.00	2.87
2000	5,003	11,637	169,799	42.99	2.95
2001 (2)	5,230	12,185	170,821	42.92	3.06
2002 (2)	5,348	12,472	173,254	42.88	3.09
2003 (2)	5,462	12,747	175,591	42.85	3.11
2004 (2)	5,571	13,011	181,690	42.82	3.07
2005 (2)	5,676	13,264	183,880	42.79	3.09
2006 (2)	5,778	13,511	186,023	42.77	3.11
2007 (3)	5,647	13,223	183,989	42.70	3.07
2008 (2)	5,965	13,965	189,951	42.71	3.14
2009 (2)	6,053	14,178	191,792	42.69	3.16
2010	6,004	14,058	190,756	42.71	3.15
2011 (4)	6,218	14,576	195,243	42.66	3.18
2012 (4)	6,155	14,424	193,947	42.67	3.17
2013 (4)	6,434	14,993	201,033	42.91	3.20

Source: IBGE.

Compiled by: IMB / SEGPLAN-GO / Department of Systematization and Dissemination of Socioeconomic Information – 2014.

(1) Referring to the State of Goiás after the splitting in two states (2) PNAD (3) Counting (4) Estimated in 07/01

Note: The data in this table were reweighted by the 2008 revision of population projections, by IBGE, including the trend from 2000 to 2010.

STATE OF GOIÁS, Middle West and Brazil: Average geometric rate of annual growth.

Region	Rate of annual growth (%)							
	1980/1991	1991/1996	1996/2000	1991/2000	1980/2000	2000/2010	2000/2011	2000/2012
Goiás	2.33	2.36	2.60	2.46	2.39	1.84	1.79	1.74
Middle West	3.01	2.18	2.60	2.36	2.72	1.91	1.85	1.81
Brazil	1.93	1.36	1.97	1.63	1.79	1.17	1.14	1.11

Compiled by: IMB / SEGPLAN-GO / Department of Systematization and Dissemination of Socioeconomic Information – 2013.

STATE OF GOIÁS: Resident urban and rural population, demographic density and urbanization rate – 1980, 1991, 1996, 2000 – 12.

Year	Resident Population (thou inhab.)			Demographic Density (inhab. / km ²)	Urbanization Rate (%)
	Total	Urban	Rural		
1980	3,121	2,108	1,013	9.18	67.54
1991	4,019	3,248	771	11.82	80.82
1996	4,515	3,873	642	13.28	85.78
2000	5,003	4,397	607	14.71	87.89
2001 (1)	5,230	4,584	646	15.38	87.65
2002 (1)	5,348	4,720	629	15.73	88.26
2003 (1)	5,462	4,792	670	16.06	87.73
2004 (1)	5,571	4,893	678	16.38	87.83
2005 (1)	5,676	4,968	707	16.69	87.53
2006 (1)	5,778	5,118	660	16.99	88.58
2007 (1)	5,874	5,258	615	17.27	89.51
2008 (1)	5,965	5,355	611	17.54	89.77
2009 (1)	6,053	5,401	652	17.80	89.23
2010	6,004	5,421	583	17.65	90.29
2011 (1)	6,218	5,729	489	18.28	92.14
2012 (1)	6,296	5,765	530	18.51	91.57

Source: IBGE.

Compiled by: IMB / SEGPLAN-GO / Department of Systematization and Dissemination of Socioeconomic Information – 2014.

(1) PNAD.

Note: The data in this table were reweighted by the 2008 revision of population projections, by IBGE, including the trend from 2000 to 2010.

STATE OF GOIÁS, Middle West and Brazil:

Resident Population according to gender, people of 10 years and over and permanent private residences – 2012.

Region	Resident Population			People of 10 years and over		Permanent private residences
	Total	Men	Women	Total	Illiteracy (%)	
Goiás	6,296	3,097	3,199	5,386	6.70	2,098
Middle West	14,765	7,279	7,486	12,574	6.13	4,834
Brazil	196,877	95,812	101,065	168,606	7.98	62,850

Source: IBGE.

Compiled by: IMB / SEGPLAN-GO / Department of Systematization and Dissemination of Socioeconomic Information – 2014.

STATE OF GOIÁS, Middle West and Brazil: Voters as per age group – december/2013.

Age Group	Goiás	Middle West	Brazil	Share (%)	
				Goiás/Middle West	Goiás/Brazil
Total	4,325,675	10,266,708	141,698,114	42.13	3.05
16 years	3,618	8,416	98,463	42.99	3.67
17 years	25,549	60,128	766,359	42.49	3.33
18 to 20 years	251,286	594,834	8,034,459	42.24	3.13
21 to 24 years	391,550	937,825	12,639,004	41.75	3.10
25 to 34 years	1,041,958	2,511,418	33,488,948	41.49	3.11
35 to 44 years	927,645	2,216,961	28,393,763	41.84	3.27
45 to 59 years	1,027,493	2,430,470	33,732,809	42.28	3.05
60 to 69 years	377,097	865,981	13,372,578	43.55	2.82
70 to 79 years	195,134	440,673	7,165,498	44.28	2.72
79 years and over	84,270	199,768	4,001,081	42.18	2.11
Not informed	1	2	72	50.00	1.39

Source: TSE.

Compiled by: IMB / SEGPLAN-GO / Department of Systematization and Dissemination of Socioeconomic Information – 2014.

2 - ECONOMIC INDEX

Economic Indices – 2005 – 13.

Indices	Yearly Variation (%)									Variation (jan-dec)%
	2005	2006	2007	2008	2009	2010	2011	2012	2013	
IPCA (IBGE)	5.69	3.14	4.46	5.90	4.31	5.92	6.50	5.84	5.91	
INPC (IBGE)	5.05	2.81	5.16	6.48	4.11	6.46	6.08	6.20	5.56	
IGP – DI (FGV)	1.22	3.79	7.89	9.10	-1.43	11.30	5.00	8.10	5.52	
IPCA – Goiânia (IBGE)	6.37	2.58	4.70	5.53	3.45	5.11	6.18	5.40	5.62	
INPC – Goiânia (IBGE)	6.11	2.10	5.27	6.51	3.32	5.76	5.98	6.97	4.93	
IPC – Goiânia (SEGPLAN)	2.27	2.49	5.67	6.53	4.01	8.08	7.26	9.63	5.93	

Source: IBGE / FGV / SEGPLAN-GO.

Compiled by: IMB / SEGPLAN-GO / Department of Systematization and Dissemination of Socioeconomic Information – 2014.

3 – GROSS DOMESTIC PRODUCT (GDP)

STATE OF GOIÁS, Middle West and Brazil: Gross domestic product at current market prices and *per capita* – selected years.

Region	GDP at current prices (R\$ million)					GDP <i>per capita</i> (R\$)				
	2006	2008	2010	2011	2012*	2006	2008	2010	2011	2012*
Goiás	57,057	75,271	97,576	111,269	112,300	9,956.30	12,877.88	16,251.70	18,298.59	18,249.89
Middle West	206,284	279,015	349,717	396,411	-	15,545.74	20,398.18	24,890.31	27,829.64	-
Brazil	2,369,484	3,032,203	3,770,085	4,143,013	4,402,537	12,686.60	15,991.55	19,766.33	21,535.65	22,402.00

Source: SEGPLAN-GO / IMB / Regional Account Management.

Compiled by: IMB / SEGPLAN-GO / Department of Systematization and Dissemination of Socioeconomic Information – 2014.

(*) Figures estimated by the IMB / Segplan.

STATE OF GOIÁS and Middle West: Share of the Brazilian GDP at current market prices – 2007 – 11 (%)

Region	2007	2008	2009	2010	2011
Goiás	2.5	2.5	2.6	2.6	2.7
Middle West	8.9	9.2	9.6	9.3	9.6

Source: SEGPLAN-GO / IMB / Regional Account Management.

Compiled by: IMB / SEGPLAN-GO / Department of Systematization and Dissemination of Socioeconomic Information – 2014.

STATE OF GOIÁS: Structure of the GDP – 2007 – 11.

Year	Structure of the GDP per sector (%)			
	GDP	Farming	Industry	Services
2007	100.0	11.0	27.0	62.0
2008	100.0	12.8	26.2	61.0
2009	100.0	14.0	27.0	59.0
2010	100.0	14.1	26.6	59.3
2011	100.0	12.5	26.8	60.7

Source: SEGPLAN-GO / IMB / Regional Account Management.

Compiled by: IMB / SEGPLAN-GO / Department of Systematization and Dissemination of Socioeconomic Information – 2014.

STATE OF GOIÁS: Actual variation rate – 2006 – 12.

Sector	Actual variation rate (%)				
	2006	2008	2010	2011	2012*
Farming	-3.6	19.1	5.4	14.1	5.5
Industry	1.4	5.7	13.7	5.7	3.5
Services	4.7	6.5	6.4	5.6	3.5
GDP	3.1	8.0	8.8	6.7	3.8

Source: SEGPLAN-GO / IMB / Regional Account Management.

Compiled by: IMB / SEGPLAN-GO / Department of Systematization and Dissemination of Socioeconomic Information – 2014.

STATE OF GOIÁS: Gross Domestic Product - Rate (over the same previous period) - 2006 – 13.

Year	Quarter	GDP		
		Quarterly	Accumulated in the year	Accumulated in 12 months
2006	I	-7.9	-7.9	-0.8
	II	0.3	-4.0	-1.6
	III	13.8	1.6	1.6
	IV	8.3	3.1	3.1
2007	I	2.8	2.8	6.2
	II	5.2	4.0	7.4
	III	6.8	5.0	5.7
	IV	7.1	5.5	5.5
2008	I	9.8	9.8	7.2
	II	9.7	9.7	8.3
	III	10.5	10.0	9.4
	IV	1.4	8.0	8.0
2009	I	2.1	2.1	6.0
	II	0.1	1.1	3.7
	III	-1.2	0.2	0.5
	IV	3.4	0.9	0.9
2010	I	9.3	9.3	2.8
	II	6.7	8.0	4.4
	III	8.0	8.0	7.0
	IV	11.3	8.8	8.8
2011	I	3.9	3.9	7.3
	II	10.4	7.1	8.2
	III	7.9	7.4	8.2
	IV	4.3	6.7	6.7
2012(*)	I	7.9	7.9	7.7
	II	2.8	5.3	5.8
	III	1.5	3.9	4.0
	IV	5.0	4.2	4.2
2013(*)	I	2.6	2.6	2.9
	II	2.6	2.6	2.8
	III	3.0	2.7	3.2

Source: Regional Account Management.

Compiled by: IMB / SEGPLAN-GO / Department of Systematization and Dissemination of Socioeconomic Information – 2014.

(*) estimate can be reviewed.

4 – EXTRACTIVE INDUSTRY

STATE OF GOIÁS: Production of principal minerals – 2008 – 12.

Mineral	Production (t)				
	2008	2009	2010	2011	2012
Mineral water (1)	84,873,291	96,320,835	126,137,114	131,798,468	144,503,934
Asbestos (2)	287,673	288,452	302,257	306,321	304,569
Limestone (3)	1,206,463	1,242,528	1,623,178	1,767,590	1,987,274
Agric. Limestone	2,185,287	1,524,656	3,036,510	2,838,721	4,623,927
Cobalt	3,026	2,498	3,073	6,786	3,122
Copper	67,665	67,762	73,424	80,824	75,055
Esmerald (4)	10,230	6,571	218	ND	ND
Phosphate	1,309,737	2,278,179	2,574,152	2,061,134	2,049,546
Gold (4)	11,861	6,246	12,436	11,233	11,238
Niobium	4,618	8,225	6,226	10,968	13,037
Nickel (5)	45,013	38,190	40,450	48,766	65,178
Vermiculite	23,254	16,266	25,000	54,500	60,125

Source: DNPM.

Compiled by: IMB / SEGPLAN-GO / Department of Systematization and Dissemination of Socioeconomic Information – 2014.

(1) In liters

(4) In kg

(2) Arbestos in fibers

(5) Nickel in iron-nickel alloy and in nickel carbonate

(3) Limestone for cemente

STATE OF GOIÁS: Sales of principal minerals – 2008 – 12.

Mineral	Sales (t)				
	2008	2009	2010	2011	2012
Mineral water (1)	84,873,291	96,320,835	126,137,114	131,798,468	144,503,934
Asbestos (2)	287,673	288,452	302,257	306,321	304,569
Limestone (3)	1,206,463	1,242,528	1,623,178	1,767,590	1,987,274
Agric. Limestone	2,185,287	1,524,656	3,036,510	2,838,721	4,623,927
Cobalt	3,026	2,498	3,073	6,786	3,122
Copper	67,665	67,762	73,424	80,824	75,055
Esmerald (4)	10,230	6,571	218	ND	ND
Phosphate	1,309,737	2,278,179	2,574,152	2,061,134	2,049,546
Gold (4)	11,861	6,246	12,436	11,233	11,238
Niobium	4,618	8,225	6,226	10,968	13,037
Nickel (6)	45,013	38,190	40,450	48,766	65,178
Vermiculite	23,254	16,266	25,000	54,500	60,125

Source: DNPM.

Compiled by: IMB / SEGPLAN-GO / Department of Systematization and Dissemination of Socioeconomic Information – 2014.

(1) In liters

(4) In kg

(2) Arbestos in fibers

(5) Nickel in iron-nickel alloy and in nickel carbonate

(3) Limestone for cemente

STATE OF GOIÁS, Middle West and Brazil:

Collection of the Financial Compensation through exploitation of the mineral resources – 2007 – 13.

(R\$ 1,000)

Year	Goiás	Middle West	Brazil	Share (%)	
				Goiás / Middle West	Goiás / Brazil
2007	35,279	45,793	547,208	77.04	6.45
2008	45,322	63,137	857,697	71.78	5.28
2009	37,136	53,220	742,526	69.78	5.00
2010	48,855	73,941	1,083,142	66.07	4.51
2011	58,547	97,667	1,544,749	59.95	3.79
2012	74,402	107,909	1,832,381	68.95	4.06
2013	69,057	117,258	2,373,783	58.89	2.90

Source: National Department of Mineral Production.

Compiled by: IMB / SEGPLAN-GO / Department of Systematization and Dissemination of Socioeconomic Information – 2014.

STATE OF GOIÁS: Amount and value of products from vegetal and silvicultural origin – 2008 – 12.

Specification	Amount					Value (R\$ 1,000)				
	2008	2009	2010	2011	2012	2008	2009	2010	2011	2012
Timber (Vegetal origin)										
- Charcoal (t)	158,312	133,028	111,069	52,040	25,928	78,446	64,337	51,134	30,274	28,170
- Lumber (m ³)	705,930	680,335	590,158	525,562	510,194	16,320	18,052	16,834	16,439	16,967
- Logs (m ³)	21,465	19,277	16,347	11,438	12,561	3,821	4,844	4,462	3,923	3,943
Timber (Silviculture)										
- Charcoal (t)	22,538	16,481	2,333	1,954	1,702	14,457	10,231	1,737	1,676	1,449
- Lumber (m ³)	899,425	1,081,860	1,255,110	1,690,603	2,217,710	57,875	74,478	85,586	123,662	161,773
- Logs (m ³)	156,100	239,296	350,521	183,308	236,045	11,680	10,595	54,439	23,708	31,408

Source: IBGE.

Compiled by: IMB / SEGPLAN-GO / Department of Systematization and Dissemination of Socioeconomic Information – 2014.

5 – AGRICULTURE

STATE OF GOIÁS, Middle West and Brazil: Grain Production – 2002 – 13.

Year	Goiás (t)	Middle West (t)	Brazil (t)	Share (%)		Ranking	
				Goiás / Middle West	Goiás / Brazil	Goiás / Middle West	Goiás / Brazil
2002	9,735,056	31,321,960	100,020,539	31.08	9.73	2 nd	4 th
2003	11,399,114	38,165,880	126,044,223	29.87	9.04	2 nd	4 th
2004	11,371,631	40,127,880	121,547,781	28.34	9.36	2 nd	4 th
2005	11,346,604	42,337,691	113,424,479	26.80	10.00	2 nd	5 th
2006	10,581,453	39,788,476	119,211,427	26.59	8.87	2 nd	4 th
2007	11,378,951	44,026,444	135,654,278	25.85	8.39	2 nd	4 th
2008	13,295,063	50,230,541	148,205,645	26.47	8.97	2 nd	4 th
2009	13,313,507	48,978,139	136,375,615	27.18	9.76	2 nd	4 th
2010	13,312,250	52,340,028	152,199,493	25.43	8.75	2 nd	4 th
2011	15,116,917	56,134,130	162,083,402	26.93	9.33	2 nd	4 th
2012	18,259,907	70,865,890	165,044,477	25.77	11.06	2 nd	4 th
2013 (1)	18,121,742	78,507,889	191,129,340	23.08	9.48	2 nd	4 th

Source: IBGE.

Compiled by: IMB / SEGPLAN-GO / Department of Systematization and Dissemination of Socioeconomic Information – 2014.

(1) Position: December

STATE OF GOIÁS, Middle West and Brazil: Production of main agricultural products – 2012 – 2013.

(tons)

Product	Goiás		Middle West		Brazil	
	2012	2013 (1)	2012	2013 (1)	2012	2013 (1)
Pineapple (1,000 fruit)	55,807	55,372	107,712	101,732	1,697,734	1,556,807
Cotton	352,514	204,285	3,378,835	2,245,715	4,969,064	3,404,305
Garlic	35,303	30,680	40,436	34,368	107,009	102,087
Rice (in husk)	182,385	148,659	745,034	741,777	11,549,881	11,758,873
Coffe	19,598	16,111	29,222	297,000	3,037,534	2,918,652
Sugar cane	58,348,797	69,307,411	113,276,327	129,938,985	721,077,287	737,859,346
Beans (1 st , 2 nd and 3 rd harvest)	336,304	289,921	660,752	622,853	2,794,854	2,936,543
Orange	131,919	130,062	150,314	155,649	18,012,560	16,303,752
Corn (1 st , 2 nd and 3 rd harvest)	8,230,069	7,690,418	30,756,966	35,931,413	71,072,810	80,547,039
Soy bean	8,398,891	8,902,769	35,010,702	38,252,312	65,848,857	80,669,787
Sorghum	808,130	923,544	1,395,191	1,433,393	2,016,873	2,073,214
Tomato (table and industry)	1,157,078	1,331,877	1,194,094	1,397,987	3,873,985	3,973,164
Wheat (dry and irrigated)	42,880	19,543	71,581	33,575	4,418,388	5,711,803

Source: IBGE.

Compiled by: IMB / SEGPLAN-GO / Department of Systematization and Dissemination of Socioeconomic Information – 2014.

(1) Position: December

STATE OF GOIÁS, Middle West and Brazil: Production Ranking of the main agricultural products - 2012 – 2013.

Product	Goiás / Middle West		Goiás / Brazil	
	2012	2013	2012	2013
Pineapple (1,000 fruit)	1st	1st	9th	8th
Cotton	2nd	2nd	3rd	3th
Garlic	1st	1st	1st	1st
Rice (in husk)	2nd	2nd	8th	8th
Coffee	1st	1st	7th	8th
Sugar-cane	1st	1st	3rd	3rd
Beans	1st	1st	3rd	3rd
Orange	1st	1st	8th	8th
Corn	2nd	2nd	3rd	3rd
Soy bean	2nd	2nd	3rd	4th
Sorghum	1st	1st	1st	1st
Tomato	1st	1st	1st	1st
Wheat	1st	1st	6th	6th

Source: IBGE

Compiled by: IMB / SEGPLAN-GO / Department of Systematization and Dissemination of Socioeconomic Information – 2014.

STATE OF GOIÁS: Area, production and average yield of main agricultural products – 2012 – 2013.

Product	2012			2013 (1)			
	Harvested Area (ha)	Production (t)	Average Yield (kg / ha)	Area planted or expected to be planted (ha)	Harvested or expected area (ha)	Achieved or Expected Production (t)	Average or Expected Yield (kg / ha)
Cotton	96,430	352,514	3,656	52,780	52,780	204,283	3,870
Rice	58,557	182,385	3,115	43,402	43,402	148,659	3,425
Sugar cane	732,870	58,348,797	79,617	1,000,674	858,898	69,307,411	80,693
Beans	140,503	336,304	2,394	129,761	129,451	289,921	2,240
Sunflower	16,860	25,705	1,525	3,629	3,629	5,677	1,564
Cassava	18,459	303,965	16,467	14,775	10,055	167,358	16,644
Corn	1,221,160	8,230,069	6,740	1,230,978	1,230,978	7,690,418	6,247
Soy bean	2,669,894	8,398,891	3,146	2,941,514	2,941,444	8,902,769	3,027
Sorghum	242,278	808,130	3,336	283,431	283,431	923,544	3,258
Tomato	14,028	1,157,078	82,483	15,795	15,795	1,331,877	84,323
Wheat dry	9,776	42,880	4,386	4,062	4,062	19,543	4,811

Source: GCEA – Group of Coordination of Farming Statistics.

Compiled by: IMB / SEGPLAN-GO / Department of Systematization and Dissemination of Socioeconomic Information – 2014.

(1) Position: december

STATE OF GOIÁS: Municipalities with highest harvest – 2013.

Product	Production (t)	Municipality	Municipality / State (%)
Pineapple (in 1,000 fruit)	33,600	Jaraguá	60.68
Cotton	77,520	Chapadão do Céu	37.95
Garlic	22,500	Cristalina	73.34
Rice (in husk)	53,040	Flores de Goiás	35.68
Banana	34,500	Itaguaru	17.69
English potato	119,625	Cristalina	59.16
Rubber (coagulated latex)	54,000	Ceres	81.71
Coffee	2,683	Cabeceiras	16.65
Sugar cane	5,138,371	Quirinópolis	7.41
Onion	108,800	Cristalina	90.22
Bean (1 st , 2 nd and 3 rd harvest)	57,000	Cristalina	19.66
Sunflower	2,775	Chapadão do Céu	48.88
Guava	3,400	Morrinhos	50.26
Orange	17,600	Itaberaí	13.53
Cassava	9,750	Formosa	5.82
Passion fruit	120,000	Uruana	48.94
Corn (1 st , 2 nd and 3 rd harvest)	1,335,000	Jataí	17.36
Soy bean	873,600	Jataí	9.81
Sorghum	180,000	Rio Verde	19.49
Tomato	485,000	Cristalina	36.41
Wheat	15,000	Cristalina	76.75

Source: IBGE.

Compiled by: IMB / SEGPLAN-GO / Department of Systematization and Dissemination of Socioeconomic Information – 2014.

STATE OF GOIÁS: Ranking of grain production per microregion – 2012.

Microregion	Grain Production (t)	Share (%)	Ranking
STATE OF GOIÁS	18,259,907	100.00	
013 - Sudoeste de Goiás	8,401,323	46.01	1 st
012 - Entorno de Brasília	2,937,959	16.09	2 nd
015 - Meia Ponte	1,719,833	9.42	3 rd
017 - Catalão	1,320,686	7.23	4 th
014 - Vale do Rio dos Bois	1,257,475	6.89	5 th
016 - Pires do Rio	866,164	4.74	6 th
004 - Porangatu	325,696	1.78	7 th
007 - Anápolis	234,177	1.28	8 th
005 - Chapada dos Veadeiros	217,164	1.19	9 th
011 - Vão do Paranã	158,922	0.87	10 th
018 - Quirinópolis	158,009	0.87	11 th
003 - Aragarças	151,459	0.83	12 th
006 - Ceres	142,163	0.78	13 th
010 - Goiânia	114,853	0.63	14 th
002 - Rio Vermelho	105,402	0.58	15 th
001 - São Miguel do Araguaia	64,418	0.35	16 th
009 - Anicuns	60,777	0.33	17 th
008 - Iporá	23,427	0.13	18 th

Source: IBGE.

Compiled by: IMB / SEGPLAN-GO / Department of Systematization and Dissemination of Socioeconomic Information – 2014.

STATE OF GOIÁS: Ranking the 25 municipalities with the highest irrigated by pivots – 2013.

Municipalities	Number of Pivots	Total area by municipalities (ha)	Mean (ha)	Ranking	
				For area of occupancy of the pivots	For a number of pivots
STATE OF GOIÁS	2,897	212,758.37	73.44	-	-
Cristalina	659	52,970.40	80.38	1°	1°
Jussara	86	9,569.37	111.27	2°	7°
Parauna	116	7,624.94	65.73	3°	3°
Morrinhos	143	7,532.36	52.67	4°	2°
Luziânia	98	7,302.84	74.52	5°	4°
Campo Alegre de Goiás	96	6,955.41	72.45	6°	5°
Água Fria de Goiás	74	6,035.65	81.56	7°	8°
Rio Verde	64	6,022.53	94.10	8°	10°
Ipameri	49	5,158.74	105.28	9°	15°
Catalão	59	4,867.35	82.50	10°	11°
Itaberaí	89	4,834.60	54.32	11°	6°
Cabeceiras	53	4,357.16	82.21	12°	13°
Vicentinópolis	68	3,780.93	55.60	13°	9°
Goiatuba	51	3,631.54	71.21	14°	14°
Silvânia	47	3,281.19	69.81	15°	16°
Bom Jesus de Goiás	37	2,955.40	79.88	16°	19°
Palmeiras de Goiás	55	2,899.82	52.72	17°	12°
Pontalina	46	2,732.10	59.39	18°	17°
Niquelândia	24	2,312.24	96.34	19°	25°
Acreúna	28	2,236.63	79.88	20°	22°
Turvelândia	23	2,137.42	92.93	21°	26°
Piracanjuba	43	1,992.64	46.34	22°	18°
Itumbiara	28	1,973.78	70.49	23°	23°
Vianópolis	36	1,954.63	54.30	24°	20°
Santa Fé de Goiás	16	1,915.93	119.75	25°	35°
Demais municípios	809	55,722.77	68.88	-	-

Source: IMB/ Management Cartography and GIS / SEMARH / SRH

Compiled by: IMB / SEGPLAN-GO / Department of Systematization and Dissemination of Socioeconomic Information – 2014.

STATE OF GOIÁS: Prices collected / paid by the farmers - 2008 – 13.
Baseline value: Aug 94 = 100

Month	Price collected						Price paid					
	2008	2009	2010	2011	2012	2013	2008	2009	2010	2011	2012	2013
Jan	426.903	500.839	409.500	494.200	532.976	624.563	420.917	501.607	489.275	492.458	577.651	571.466
Feb	427.575	500.331	411.592	502.303	535.042	625.997	421.800	501.456	478.358	494.627	565.659	571.773
Mar	428.342	463.279	417.244	496.202	535.123	638.512	423.575	505.157	473.355	494.865	574.368	602.793
Apr	436.335	452.800	424.296	494.570	568.156	640.236	430.811	503.113	472.075	497.84	579.929	602.552
May	443.622	449.185	428.311	503.096	561.354	637.589	438.275	497.262	472.746	495.425	577.407	602.382
June	465.745	448.975	432.801	482.668	575.227	652.115	454.992	490.410	476.576	518.618	580.599	602.379
July	469.730	450.265	429.251	535.150	560.444	662.140	465.773	484.719	481.269	521.571	558.679	625.518
Aug	467.493	448.187	429.259	561.991	551.691	692.342	477.977	481.845	482.867	517.633	404.503	625.520
Sept	476.521	437.522	444.543	551.301	579.923	702.232	485.393	481.275	481.840	509.857	408.889	630.366
Oct	478.250	438.026	479.577	548.275	585.451	711.674	484.816	481.411	490.027	592.192	412.803	629.253
Nov	465.355	434.289	498.195	530.688	639.423	727.308	492.362	479.871	490.586	586.932	431.012	640.161
Dec	498.001	429.758	500.640	542.973	640.112	720.804	498.067	484.623	492.096	604.622	559.213	638.151

Source: Getúlio Vargas Foundation.

Compiled by: IMB / SEGPLAN-GO / Department of Systematization and Dissemination of Socioeconomic Information – 2014.

STATE OF GOIÁS: Land Selling Prices - 2000 – 11 (R\$/HA).

Periods	Selling prices of land			
	Crops	Fields (1)	Pastures	Woods
06/2000	1,291.30	455.56	825.45	553.14
12/2000	1,499.39	501.43	803.61	563.66
06/2001	1,734.96	634.22	1,064.65	815.01
12/2001	1,969.52	713.24	1,275.87	899.68
06/2002	2,124.26	773.28	1,469.50	964.91
12/2002	2,337.55	834.81	1,564.45	1,138.42
06/2003	2,722.52	1,001.14	1,737.00	1,247.52
12/2003	3,064.24	1,206.69	1,950.41	1,303.06
06/2004	3,324.90	1,305.93	2,148.81	1,389.42
12/2004	3,631.17	1,330.64	2,453.80	1,566.86
06/2005	3,650.67	1,390.09	2,504.10	1,579.02
12/2005	3,632.51	1,429.05	2,669.60	1,541.89
06/2006	3,712.99	2,174.29	2,787.34	1,530.29
12/2006	4,756.55	-	3,442.73	2,593.25
06/2007	5,122.41	-	3,623.35	2,569.99
12/2007	5,290.79	-	3,710.88	2,797.57
06/2008	5,558.09	-	3,897.22	2,888.62
12/2008	5,949.54	-	4,160.57	2,930.33
06/2009	7,655.37	-	4,475.84	3,216.22
12/2009	8,336.94	-	4,436.67	3,327.96
06/2010	8,148.78	-	4,522.64	3,348.41
12/2010	8,577.20	-	4,987.68	3,590.86
06/2011	10,401.90	-	5,799.96	4,086.48
12/2011	10,643.81	-	6,095.88	4,357.15

Source: Getúlio Vargas Foundation.

Compiled by: IMB / SEGPLAN-GO / Department of Systematization and Dissemination of Socioeconomic Information – 2014.

(1) – Ended series in 2006.

6 – CATTLE RAISING

STATE OF GOIÁS, Middle West and Brazil: Main livestock and milk production – 2000 – 2012.

Product	Goiás		Middle West		Brazil		Ranking Goiás/Brazil	
	2000	2012	2000	2012	2000	2012	2000	2012
Cattle (heads)	18,399,222	22,045,776	59,641,301	72,385,029	169,875,524	211.279.082	4 th	3 th
Pigs (heads)	1,174,360	2,016,444	2,801,698	5,105,469	31,562,111	38.795.902	10 th	5 nd
Poultry (heads)	26,444,415	59,653,837	67,139,531	141,928,006	848,515,354	1.261.705.649	7 th	6 th
Milch cows (heads)	2,006,038	2,692,841	2,876,586	3,826,497	17,885,019	22.803.519	2 nd	2 nd
Milk production (1,000 l)	2,193,799	3,546,329	3,080,121	4,818,006	19,767,206	32.304.421	2 nd	4 nd

Source: IBGE.

Compiled by: IMB / SEGPLAN-GO / Department of Systematization and Dissemination of Socioeconomic Information – 2014.

STATE OF GOIÁS: Main livestock and milk production – 2001 – 12.

Year	(heads)				
	Cattle	Pigs	Poultry	Milch cows	Milk production (1,000 l)
2001	19,132,372	1,231,251	27,139,230	2,121,271	2,321,740
2002	20,101,893	1,360,573	32,552,645	2,217,158	2,483,366
2003	20,178,516	1,499,050	35,937,069	2,225,895	2,523,048
2004	20,419,803	1,493,837	38,681,006	2,257,829	2,538,368
2005	20,726,586	1,499,138	39,942,492	2,334,558	2,648,599
2006	20,646,560	1,516,285	42,488,945	2,293,105	2,613,622
2007	20,471,490	1,537,430	44,415,670	2,286,190	2,638,568
2008	20,466,360	1,592,760	47,750,990	2,363,068	2,873,541
2009	20,874,943	1,929,062	53,717,123	2,441,165	3,003,182
2010	21,347,881	2,046,727	55,156,362	2,479,869	3,193,731
2011	21,744,650	2,049,376	61,179,904	2,615,611	3,482,041
2012	22,045,776	2,016,444	59,653,837	2,692,841	3,546,329

Source: IBGE.

Compiled by: IMB / SEGPLAN-GO / Department of Systematization and Dissemination of Socioeconomic Information – 2014.

STATE OF GOIÁS and Brazil: Slaughter of cattle, pigs and poultry – 2007 – 13.
(heads)

Year	Goiás			Brazil		
	Cattle	Pigs	Poultry	Cattle	Pigs	Poultry
2007	2,572,019	1,192,846	208,897,827	30,712,914	27,410,308	4,371,802,833
2008	3,016,334	1,544,191	257,182,809	28,700,370	28,840,083	4,895,496,374
2009	2,538,203	1,717,981	271,309,056	27,974,982	30,875,725	4,776,233,239
2010	2,612,313	1,905,008	301,327,384	29,265,356	32,510,075	4,988,342,185
2011	2,701,839	1,936,134	318,833,364	28,813,923	34,861,640	5,269,322,761
2012	2,922,751	2,012,543	322,285,423	31,117,549	35,979,434	5,242,665,514
2013 (1)	2,618,206	1,429,464	257,014,968	25,577,483	27,041,461	4,190,259,905

Source: IBGE.

Compiled by: IMB / SEGPLAN-GO / Department of Systematization and Dissemination of Socioeconomic Information – 2014.

Note: Data are from slaughterhouses under federal, state or municipal sanitary inspection.

(1) January to september.

STATE OF GOIÁS: Livestock of cattle, pigs and poultry per microregion – 2012.

Microregion	Cattle			Pigs			Poultry		
	Heads	Share (%)	Ranking	Heads	Share (%)	Ranking	Heads	Share (%)	Ranking
STATE OF GOIÁS	22,045,776	100.00		2,016,444	100.00		59,653,837	100.00	
001 - São Miguel do Araguaia	2,151,260	9.76	2 nd	25,330	1.26	15 th	166,820	0.28	17 th
002 - Rio Vermelho	1,854,460	8.41	4 th	47,340	2.35	12 th	1,400,300	2.35	8 th
003 - Aragarças	881,500	4.00	13 th	24,290	1.20	16 th	131,220	0.22	18 th
004 - Porangatu	1,898,673	8.61	3 rd	63,760	3.16	8 th	465,550	0.78	12 th
005 - Chapada dos Veadeiros	491,073	2.23	18 th	15,346	0.76	18 th	414,282	0.69	13 th
006 - Ceres	1,138,260	5.16	8 th	63,010	3.12	10 th	473,790	0.79	11 th
007 - Anápolis	951,996	4.32	10 th	85,233	4.23	5 th	8,244,305	13.82	3 rd
008 - Iporá	741,900	3.37	15 th	31,515	1.56	14 th	174,790	0.29	16 th
009 - Anicuns	764,705	3.47	14 th	73,864	3.66	7 th	1,318,185	2.21	9 th
010 - Goiânia	657,603	2.98	17 th	79,445	3.94	6 th	4,192,874	7.03	5 th
011 - Vão do Paranã	892,494	4.05	11 th	20,480	1.02	17 th	221,202	0.37	15 th
012 - Entorno de Brasília	1,493,969	6.78	6 th	114,596	5.68	3 rd	3,259,499	5.46	6 th
013 - Sudoeste de Goiás	2,600,993	11.80	1 st	990,220	49.11	1 st	20,842,400	34.94	1 st
014 - Vale do Rio dos Bois	1,005,750	4.56	9 th	94,605	4.69	4 th	401,480	0.67	14 th
015 - Meia Ponte	1,662,310	7.54	5 th	134,800	6.69	2 nd	7,215,490	12.10	4 th
016 - Pires do Rio	677,550	3.07	16 th	63,530	3.15	9 th	8,601,330	14.42	2 nd
017 - Catalão	884,500	4.01	12 th	39,100	1.94	13 th	1,645,970	2.76	7 th
018 - Quirinópolis	1,296,780	5.88	7 th	49,980	2.48	11 th	484,350	0.81	10 th

Source: IBGE.

Compiled by: IMB / SEGPLAN-GO / Department of Systematization and Dissemination of Socioeconomic Information – 2014.

STATE OF GOIÁS: Municipalities with biggest livestock and highest milk and egg production – 2010 – 12.

Product	Municipality	2010		2011		2012		Municipality / State (%)		
		Quantity	Rank	Quantity	Rank	Quantity	Rank	2010	2011	2012
Cattle (heads)	Nova Crixás	744,960	1 st	710,000	1 st	752,900	1 st	3.49	3.27	3.42
Pigs (heads)	Rio Verde	718,000	1 st	721,700	1 st	732,000	1 st	35.08	35.22	36.30
Poultry (heads)	Rio Verde	12,350,000	1 st	13,950,000	1 st	12,880,000	1 st	22.39	22.80	21.59
Milk Production (1,000 l)	Morrinhos	112,007	3 rd	128,800	2 nd	144,150	1 st	3.51	3.70	4.06
Egg Production (1,000 dz.)	Inhumas	32,469	1 st	35,571	1 st	39,950	1 st	18.40	19.72	22.40

Source: IBGE.

Compiled by: IMB / SEGPLAN-GO / Department of Systematization and Dissemination of Socioeconomic Information – 2014.

GOIÁS RANKING IN THE BRAZILIAN MARKET

Atividade	Production (t)		Product	Participation(%)	Ranking
	Brazil	Goias			
Agriculture December/2013	2.073.214	923.544	Sorghum	44,55	1°
	3.973.164	1.331.877	Tomato	33,52	1°
	102.087	30.680	Garlic	30,05	1°
	80.699.787	8.902.769	Soybean	11,03	4° (MT, PR, RS)
	2.936.543	289.921	Bean	9,87	3° (PR, MG)
	80.547.039	7.690.418	Corn	9,55	3° (MT, PR)
	737.859.346	69.307.411	Sugar Cane	9,39	3° (SP, MG)
	3.404.305	204.285	Cotton	6,00	3° (MT, BA)
191.129.340	18.121.742	Grain Production	9,48	4° (MT, PR, RS)	
Livestock 2012	22.803.519	2.692.841	Dairy Cows (cab)	11,81	2° (MG)
	32.304.421	3.546.329	Milk Production (1,000 l)	10,98	4° (MG, RS, PR)
	211.279.082	22.045.776	Cattle (cab)	10,43	3° (MT, MG)
	38.795.902	2.016.444	Pigs (cab)	5,20	5° (SC, RS, PR, MG)
	1.261.705.649	59.653.837	Birds (cab)	4,73	6° (PR, SP, SC, RS, MG)
Mining 2012	304.569	304.569	Asbestos	100,00	1°
	71.426	60.125	Vermiculite	84,18	1°
	6.740.000	2.049.546	Nickel	30,41	2° (MG)
	139.531	65.178	Copper	46,71	1°
	223.141	75.055	Phosphate	33,64	2° (PA)
	66,800	11,238	Gold	16,82	3° (MG, BA)
	82.214	13.037	Niobium	15,86	2° (MG)

Preparation: SEGPLAN-GO / IMB / Gerencia de Sistematização e Disseminação de Informações Socioeconômicas - 2014

7 – INDUSTRY

STATE OF GOIÁS: Industrial business registered at the State Treasury Secretary according to type and size, Position: December/2013.

Specification	Total	Micro/Small	Medium	Big	Not informed
Total	25,569	21,747	736	370	2,716
Construction, mining and machinery	5,308	4,585	163	51	509
Alcohol and sugar	86	36	5	40	5
Food	3,215	2,814	55	8	338
Drinks	153	118	13	15	7
Biofuels (except alcohol)	7	3	0	4	0
Footwear	967	843	10	4	110
Meat	309	199	59	26	25
Fuel derived from oil and coke	46	25	8	13	0
Tobacco	11	11	0	0	0
Dairy	385	283	43	36	23
Lubrificantes	1	1	0	0	0
Medicines and hospital products	101	52	30	12	7
Furniture, electronics, cinefoto, sound and cooling	2,033	1,743	29	5	256
Vehicles and parts	538	465	19	7	47
Clothing	8,901	7,770	62	9	1,060
The agribusiness industry	943	632	118	111	82
Generating electricity	63	21	25	13	4
Chemicals, prod, hygiene and cleaning, stationery, packaging and other	2,477	2,126	94	15	242
Transmitting electrical energy	25	20	3	1	1

Source: State Treasury Secretary.

Compiled by: IMB / SEGPLAN-GO / Department of Systematization and Dissemination of Socioeconomic Information – 2014.

Note: Gross annual income:

Micro / small: Equal R\$ 240,000,00 and less than R\$ 1,800,000,00

Medium: More than R\$ 1,800,000,00 and less than R\$ 36,000,000,00

Big: Equal or more than R\$ 36,000,000,00

Not informed Establishment without gross income information

STATE OF GOIÁS: Evolution of the industrial revenue – 2004 – 13.

Month	2004	2005	2006	2007	2008	2009	2010	2011	2012	2013
Jan	-13.4	-15.0	-13.5	-1.4	4.9	-12.3	-16.7	-10.5	-11.2	-4.4
Feb	-8.3	-3.5	1.2	-5.5	-0.7	5.2	3.6	0.6	-4.0	-6.7
Mar	26.0	21.7	15.2	23.0	4.9	12.9	23.1	14.6	21.2	13.0
Apr	-10.0	-7.0	-14.2	-3.5	5.1	-6.3	-3.5	-6.4	-5.1	6.3
May	6.4	9.0	32.6	9.0	2.8	1.6	6.5	14.4	15.4	2.6
June	8.7	8.8	9.1	4.0	0.9	11.0	-4.2	-4.5	-7.5	-3.2
July	-3.6	-2.2	-6.4	-3.3	1.8	3.4	2.3	-1.7	1.9	5.9
Aug	9.6	6.8	5.9	-1.9	-1.8	-5.4	3.4	4.0	9.6	1.5
Sept	1.0	0.5	0.3	-7.6	-5.8	2.8	-3.5	-2.5	-7.6	-2.8
Oct	1.1	0.3	-0.9	12.1	8.2	-0.8	0.0	0.1	5.3	2.4
Nov	-8.1	-6.5	-1.6	-3.4	-9.2	-2.8	-3.3	1.3	-6.3	-2.7
Dec	-8.5	-4.3	-8.9	-8.6	0.4	0.4	-2.5	-4.8	-8.7	-12.6

Source: FIEG / DEC.

Compiled by: IMB / SEGPLAN-GO / Department of Systematization and Dissemination of Socioeconomic Information – 2014.

Baseline value: preceding month.

Preliminary

Note: From 2008 new research methodology.

STATE OF GOIÁS: Evolution of the industrial revenue per sector – 2013.

(%)

Sector	2013											
	Jan	Feb	Mar	Apr	May	Jun	Jul	Aug	Sep	Oct	Nov	Dez
Industry general	-4.4	-6.7	13.0	6.3	2.6	-3.2	5.9	1.5	-2.8	2.4	-2,7	-12,6
Industries extractive	-6.3	18.4	5.7	-9.5	-6.3	3.6	22.1	-2.3	9.1	-18.2	-8,4	-15,8
Processing Industries	-4.4	-7.2	13.1	6.6	2.7	9.3	0.0	0.0	0.0	-24.1	21,5	-12,5
Food and drink	-6.4	-3.8	4.5	10.9	-0.7	-2.3	2.0	-0.4	-2.5	0.2	-1,3	-11,0
Conf,art, Clothing and accessories	-6.3	-88.3	450.5	33.3	12.6	-28.6	14.3	5.9	-18.9	78.0	113,0	-71,9
Coke, refining comb, Nuclear, alcohol	-5.5	-44.8	22.9	-1.7	81.8	16.2	4.9	-11.0	-16.6	-1.7	-6,3	20,2
Chemicals	5.6	-20.0	24.9	13.3	4.2	-0.9	3.9	-7.2	-5.4	19.5	-18,6	6,3
Prod, Non-metallic Minerals	-0.9	-11.6	5.1	4.3	5.3	-7.7	33.0	2.7	-4.8	8.8	-14,0	-20,9
Metallurgical basic	26.3	-16.5	-4.0	17.0	-19.7	-10.4	19.4	-8.9	6.1	7.2	-23,1	13,0
Prod, Metallics	-8.2	9.3	41.4	-11.5	9.7	-6.8	12.1	16.1	-1.0	-2.5	-4,8	-17,1
Furniture, miscellaneous industries	9.3	-7.7	2.0	0.3	8.1	-6.9	9.8	4.2	-6.4	7.2	-3,7	-0,9

Source: FIEG/DEC.

Compiled by: IMB / SEGPLAN-GO / Department of Systematization and Dissemination of Socioeconomic Information – 2014.

Baseline value: preceding month.

Preliminary

STATE OF GOIAS and Brazil: Physical-Industrial Production – 2013.

Specification	Variation rate (%)												Accumulated in the year
	2013												
	Jan	Feb	Mar	Apr	May	Jun	Jul	Aug	Sep	Oct	Nov	Dec	
Goiás	-3.9	9.3	-2.7	10.8	-0.9	4.6	13.1	2.3	13.1	-1.1	9.2	8.8	5.0
Brazil	5.8	-2.8	-3.3	8.6	1.4	2.9	1.8	-1.1	2.0	1.0	0.3	-2.3	1.2

Source: IBGE.

Compiled by: IMB / SEGPLAN-GO / Department of Systematization and Dissemination of Socioeconomic Information – 2014.

Preliminary

(1) Baseline value: same month of the previous year = 100

(2) Baseline value: equal period of the previous year = 100

STATE OF GOIÁS, Middle West and Brazil: Production of cement – 2004 – 13.

(thousand tons)

Year	Goiás (t)	Middle West (t)	Brazil (t)	Share (%)	
				Goiás / Middle West	Goiás / Brazil
2004	716	4,062	34,413	17.63	2.08
2005	789	4,401	38,705	17.93	2.04
2006	766	4,570	41,895	16.77	1.83
2007	832	5,221	46,589	15.94	1.79
2008	1,052	5,465	51,884	19.25	2.03
2009	1,149	5,660	51,480	20.30	2.23
2010	1,324	6,370	59,066	20.78	2.24
2011	1,392	7,082	64,093	19.65	2.17
2012	1,646	7,682	68,787	21.43	2.39
2013 (1)	1,244	6,115	52,866	20.34	2.35

Source: National Syndicate of the Cement Industry.

Compiled by: IMB / SEGPLAN-GO / Department of Systematization and Dissemination of Socioeconomic Information – 2014.

(1) January to september

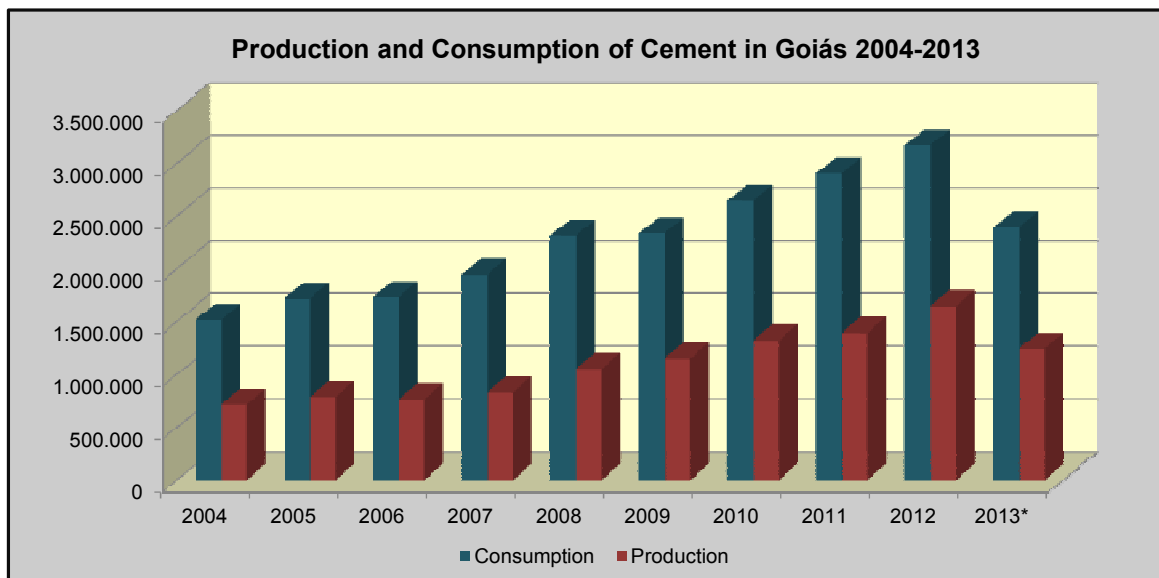
STATE OF GOIÁS, Middle West and Brazil: Cement Consumption – 2004 – 13. (thousand tons)

Year	Goiás	Middle West	Brazil	Share (%)	
				Goiás / Middle West	Goiás / Brazil
2004	1,515	3,464	33,923	43.74	4.47
2005	1,717	3,790	37,666	45.31	4.56
2006	1,730	3,695	41,027	46.82	4.23
2007	1,944	4,226	45,090	46.00	4.31
2008	2,311	5,030	51,488	45.94	4.49
2009	2,334	5,019	51,664	46.52	4.52
2010	2,645	5,733	59,868	46.14	4.42
2011	2,902	6,307	64,972	46.01	4.47
2012	3,169	6,776	69,328	46.77	4.57
2013 (1)	2,393	5,255	53,206	45.54	4.50

Source: National Syndicate of the Cement Industry.

Compiled by: IMB / SEGPLAN-GO / Department of Systematization and Dissemination of Socioeconomic Information – 2014.

(1) January to september



Compiled by: IMB / SEGPLAN-GO / Department of Systematization and Dissemination of Socioeconomic Information – 2014.

(*) January to september

STATE OF GOIAS: Distilleries - Position: august/2013.

Municipality	Distillery	Situation
Acreúna	Usina Canadá S/A	Temporarily suspended operation
Anicuns	Anicuns S/A Álcool e Derivados - Grupo Farias	Operation
Aporé	Nardini Agroindustrial Ltda	Expected production - operation 2015
Bom Jesus de Goiás	Smbj Agroindustrial S/A	Expected production - operation 2016
Cachoeira Dourada	Usj Açúcar e Álcool S/A Fli	Operation
Caçu	Rio Claro Agroindustrial (Odebrechet)	Operation
Carmo do Rio Verde	Crv Industrial Ltda	Operation
Chapadão do Céu	Usina Cerradinho	Operation
	Entre Rios Bioenergia Açucar e Alcool Ltda	Project Paralyzed
Edéia	Tropical Bioenergia S/A (Bp)	Operation
Goianésia	Jalles Machado S/A	Operation
	Jalles Machado S/A - Unidade Otávio Lage	Operation
	Usina Goianésia S/A - Grupo J. Maranhão	Operation
Goiatuba	Bom Sucesso Agroindústria Ltda	Operation
	Goiasa - Goiatuba Álcool Ltda	Operation
Inhumas	Centroálcool S/A	Operation
Ipameri	Lasa Lago Azul S/A	Operation
Itaberaí	Itaberaí Agroindústria Ltda - Grupo Farias	Expected production - operation 2015
Itapaci	Vale Verde Itapaci Grupo Farias	Operation
Itapuranga	Vale Verde Itapuranga-Grupo Farias	Temporarily suspended operation
Itarumã	Energética do Cerrado A Álcool .	Project Paralyzed
Itumbiara	Central Itumbiara Bioenergia e Alimentos Ltda (Bp)	Operation
	Usina Panorama S/A	Operation
Jandaia	Denusa - Nova União S/A	Operation
Jataí	Cosan Centro Oeste S/A Açúcar e Álcool	Operation
	Elcana Goiás Usina Açucar Alcool Ltda	Project Paralyzed
	Usina De Açúcar e Álcool Jataí Ltda (Cabrera)	Project Paralyzed
Mineiros	Brenco/Odebrechet (Morro Vermelho)	Operation
Montes Claros de Goiás	Eber Bio-Energia e Agricultura Ltda	Expected production - operation 2014
Montividiu	Usina Serra do Caiapó	Operation
Morrinhos	Central Energética Morrinhos	Operation
Paraúna	Usina Nova Galia Ltda	Operation
Perolandia	Brenco/Odebrechet (Perolândia/Água Emendada)	Operation
Pontalina	Usina Quixadá Açúcar e Álcool Ltda	Project Paralyzed
Porteirão	Usina São Paulo (Antiga Usina Fortaleza)	Operation
Quirinópolis	Sjc - Usina São Francisco	Operation
	Usina Boa Vista - Grupo São Martinho S/A	Operation
Rio Verde	Usina Rio Verde Ltda (Decal)	Operation
Rubiataba	Cooperativa Agroindustrial de Rubiataba Ltda	Operation
Santa Helena de Goiás	Usina Santa Helena Açúcar e Álcool	Operation
	Cambuí Açúcar e Álcool Ltda	Operation
Santo Antônio da Barra	Floresta S/A Açúcar E Álcool	Operation
São Simão	Energética São Simão - Grupo J. Maranhão	Operation
Serranópolis	Energética Serranópolis	Operation
Silvânia	Ouro Verde S/A	Project Paralyzed
Turvânia	Turvânia Agroindústria - Grupo Farias	Expected production - operation 2016
Turvelândia	Vale Do Verdão Açúcar e Álcool	Operation
Uruaçu	Uruaçu Açúcar e Álcool Ltda	Operation
Vicentinópolis	Caçu Com Ind Açúcar e Álcool Ltda	Operation
Vila Boa	Alda Part e Agropecuária S/A	Operation

Source: SIFAEG

Compiled by: IMB / SEGPLAN-GO / Department of Systematization and Dissemination of Socioeconomic Information – 2014.

Summary: 37 Operation

1 Expected production - operation 2014/2015

4 Expected production - operation 2015/2016

2 Temporarily suspended operation

7 Projects cancelled

6 Projects paralyzed

50 Projects approved in produce - There intention deployment, but without prediction.

STATE OF GOIAS: Destilleries in operation, production of sugar cane, ethanol and sugar - 2005 – 12.

Year	Destillery	Production		
		Sugar cane (t)	Ethanol (thousand liters)	Sugar (t)
2005	14	15,642,125	728,979	749,838
2006	15	19,049,550	821,616	766,322
2007	18	22,387,847	1,213,733	952,312
2008	28	33,401,559	1,922,414	1,247,039
2009	35	44,064,470	2,196,179	1,384,081
2010	36	48,000,163	2,895,249	1,798,391
2011	34	54,903,085	2,675,292	1,752,398
2012	37 (1)	58,348,797	3,130,577	1,875,260

Source: SIFAEG for ethanol and sugar and IBGE for sugarcane.

Compiled by: IMB / SEGPLAN-GO / Department of Systematization and Dissemination of Socioeconomic Information – 2014.

(1) Position: August/2013.

8 – TRADE AND SERVICES

Brazil, Middle West, STATE OF GOIÁS and largest cities: Local units of companies and total working staff in 12/31 – 2009 – 11.

Specification	Number of local units			Total working staff		
	2009	2010	2011	2009	2010	2011
Brazil	5,240,200	5,551,915	5,567,933	46,682,448	49,733,384	52,173,093
Middle West	385,824	412,288	414,675	3,688,978	3,907,684	4,121,773
STATE OF GOIÁS	155,626	165,946	168,039	1,349,020	1,430,372	1,508,500
Goiânia	53,163	56,285	57,676	587,755	622,070	645,917
Aparecida de Goiânia	7,297	7,829	9,048	103,333	110,684	122,723
Anápolis	8,682	8,924	9,011	84,562	89,568	94,205
Rio Verde	4,736	5,217	5,543	45,848	47,232	51,697
Itumbiara	3,195	3,659	3,510	24,766	26,765	29,061
Catalão	3,273	3,346	3,406	23,316	24,698	25,429
Luziânia	2,660	2,987	3,064	22,289	22,573	24,119
Caldas Novas	2,908	3,494	3,166	17,579	19,429	21,100
Jataí	2,678	2,514	2,578	17,790	18,135	19,581
Valparaíso de Goiás	1,875	2,067	2,164	11,850	13,951	16,473
Formosa	2,210	2,449	2,371	12,798	13,694	14,551
Trindade	1,398	1,587	1,704	12,832	14,929	14,255
Mineiros	1,558	1,699	1,883	13,262	13,391	13,761
Goianésia	1,897	1,984	2,010	11,852	13,263	13,300

Source: IBGE / Companies Central Registration.

Compiled by: IMB / SEGPLAN-GO / Department of Systematization and Dissemination of Socioeconomic Information – 2014.

STATE OF GOIÁS: Opening of established companies, according to legal status – 2002 – 13.

Year	Total	Individual	Joint-Stock	Limited	Cooperative	Individual limited liability company	Individual microentrepreneur	Others
2002	15,419	5,356	6	10,028	27	-	-	2
2003	15,730	6,227	6	9,470	23	-	-	4
2004	19,799	9,451	21	10,273	49	-	-	5
2005	19,435	7,932	186	11,252	57	-	-	8
2006	18,077	6,962	253	10,782	56	-	-	24
2007	19,128	7,614	142	11,319	44	-	-	9
2008	23,252	9,904	60	13,225	48	-	-	15
2009	25,654	11,972	32	13,590	51	-	-	9
2010	23,716	9,978	55	13,616	45	-	-	22
2011	23,896	10,041	47	13,753	40	-	-	15
2012	28,163	8,309	53	12,241	30	1,697	5,810	23
2013	22,961	7,460	64	11,666	56	3,683	-	32

Source: Commercial Union of the State of Goiás.

Compiled by: IMB / SEGPLAN-GO / Department of Systematization and Dissemination of Socioeconomic Information – 2014.

STATE OF GOIÁS: Closing of established companies, according to legal status – 2002 – 13.

Year	Total	Individual	Joint-Stock	Limited	Cooperative	Individual limited liability company	Individual microentrepreneur	Others
2002	4,058	2,170	1	1,886	1	-	-	-
2003	4,105	2,147	4	1,949	4	-	-	1
2004	3,916	1,993	3	1,916	3	-	-	1
2005	4,494	2,270	33	2,189	1	-	-	1
2006	4,959	2,653	51	2,248	5	-	-	2
2007	4,460	2,594	3	1,859	4	-	-	-
2008	7,283	4,249	5	3,021	5	-	-	3
2009	8,903	4,914	1	3,982	5	-	-	1
2010	10,538	5,996	4	4,529	6	-	-	3
2011	9,905	6,068	-	3,831	5	-	-	1
2012	9,116	5,569	-	3,523	5	18	(*)	1
2013	9,057	5,248	4	3,699	4	99	-	3

Source: Commercial Union of the State of Goiás.

Compiled by: IMB / SEGPLAN-GO / Department of Systematization and Dissemination of Socioeconomic Information – 2014.

(*) – It is with the individual company.

STATE OF GOIÁS: Checks issued – 2002 – 13.

Year	Checks (quantity - 1,000)			Checks (R\$ millions)		
	Paid	Returned	No cover	Paid	Returned	No cover
2002	78,903.0	4,635.6	4,391.1	42,210.2	2,773.5	2,554.0
2003	75,934.2	5,101.5	4,817.6	38,232.3	3,244.1	2,975.8
2004	72,034.9	5,105.2	4,796.4	40,183.5	3,894.5	3,567.2
2005	66,674.9	5,511.9	5,134.2	38,595.4	4,599.9	4,131.4
2006	58,359.3	4,835.4	4,475.1	35,115.5	3,958.6	3,519.9
2007	53,971.2	4,363.2	3,995.8	36,601.5	3,826.7	3,370.4
2008	49,677.9	4,019.1	3,580.2	40,249.0	4,199.2	3,586.0
2009	44,502.5	3,962.8	3,551.4	38,100.0	4,484.7	3,879.3
2010	41,924.7	3,227.7	2,830.8	41,017.3	4,147.4	3,487.6
2011	39,936.1	3,389.9	2,983.9	44,421.7	5,004.5	4,197.3
2012	34,830.5	3,185.1	2,786.7	42,811.9	5,271.8	4,393.0
2013	30,371.5	2,829.3	2,475.2	41,501.7	5,204.1	4,395.3

Source: Central Bank of Brazil.

Compiled by: IMB / SEGPLAN-GO / Department of Systematization and Dissemination of Socioeconomic Information – 2014.

STATE OF GOIÁS: Amount of taxpayers according to economic activity in Goiás - 2009 – 13.

Economic Activity	2009		2011		2012		2013	
	Qtde	%	Qtde	%	Qtde	%	Qtde	%
Total	276,657	100.00	252,107	100.00	244,407	100.00	234,158	100.00
Wholesale Business	5,682	2.05	4,568	1.81	4,252	1.74	3,880	1.66
Retail Business	63,472	22.94	52,247	20.73	48,603	19.89	44,849	19.15
Mineral or Fossil Extraction	388	0.14	327	0.13	308	0.13	295	0.13
Industry	13,144	4.75	11,024	4.37	10,416	4.26	9,686	4.14
Services	3,391	1.23	2,829	1.12	2,632	1.08	2,433	1.04
Agriculture and Wood Extraction	186,034	67.24	177,093	70.25	174,337	71.33	169,345	72.32
Others Activities	4,546	1.64	4,019	1.59	3,859	1.58	3,670	1.57

Source: State Treasury Secretary.

Compiled by: IMB / SEGPLAN-GO / Department of Systematization and Dissemination of Socioeconomic Information – 2014.

STATE OF GOIÁS and Brazil: Monthly trade survey – Nominal income from sales and retail sales volume – 2011 – 13.

Period	Monthly Variation (1) (%)			
	Nominal income from sales		Volume of sales	
	Goiás	Brazil	Goiás	Brazil
2011				
Jan	14.89	13.31	11.46	8.25
Feb	14.72	13.30	11.91	8.47
Mar	9.88	8.66	6.06	3.97
Apr	15.40	15.62	9.36	10.21
May	11.46	10.68	6.11	6.26
June	13.60	12.11	8.15	7.07
July	11.91	12.48	6.50	7.11
Aug	14.26	12.38	8.76	6.30
Sept	10.99	11.01	6.28	5.18
Oct	6.40	8.81	3.81	4.24
Nov	8.16	10.84	5.42	6.66
Dec	8.54	10.12	6.39	6.69
2012				
Jan	9.28	12.11	4.22	7.80
Feb	12.28	14.17	8.59	10.57
Mar	14.33	15.43	11.87	12.51
Apr	9.89	7.49	10.11	6.01
May	11.00	10.85	9.52	8.25
June	13.63	12.61	11.69	9.38
July	11.45	10.40	9.42	7.21
Aug	12.87	13.57	10.82	10.01
Sept	13.72	13.00	10.58	8.52
Oct	13.92	13.96	9.85	9.15
Nov	13.93	13.82	9.56	8.45
Dec	7.34	10.91	1.90	5.06
2013				
Jan	11.13	12.49	6.69	5.93
Feb	6.83	7.57	0.34	-0.25
Mar	12.77	13.57	4.89	4.50
Apr	7.35	10.40	-0.28	1.61
May	13.24	13.33	5.44	4.40
June	8.37	9.84	1.67	1.65
July	13.11	13.85	6.53	6.03
Aug	12.43	13.55	5.80	6.23
Sept	9.66	10.74	4.37	4.26
Oct	10.39	12.06	4.65	5.43
Nov	13.20	13.80	7.50	7.10
Dec	12.80	10.70	6.80	4.00

Source: IBGE

Compiled by: IMB / SEGPLAN-GO / Department of Systematization and Dissemination of Socioeconomic Information – 2014.

(1) Baseline value: Same month of the preceding year = 100

STATE OF GOIÁS: Companies as per business activity and size, according to the number of employees – 2004 - 12.

Business Activity	Number of companies								
	2004	2005	2006	2007	2008	2009	2010	2011	2012
Total	94,555	99,004	102,375	107,391	114,239	121,589	130,518	138,846	143,228
Micro	89,358	93,531	96,656	101,121	107,493	114,479	122,587	130,422	134,364
Small	4,251	4,458	4,640	5,073	5,530	5,845	6,552	6,920	7,274
Medium	774	825	883	981	997	1,024	1,114	1,231	1,316
Big	172	190	196	216	219	241	265	273	274
Farming	23,485	24,112	24,324	25,166	26,097	27,086	27,915	28,123	27,604
Micro	23,214	23,862	24,056	24,858	25,766	26,741	27,545	27,731	27,198
Small	236	211	225	266	284	299	322	333	344
Medium	33	36	40	38	41	40	39	51	55
Big	2	3	3	4	6	6	9	8	7
Industry	9,071	9,405	10,091	10,432	11,153	11,874	12,382	13,383	14,127
Micro	7,900	8,187	8,806	9,021	9,662	10,394	10,778	11,719	12,347
Small	974	1,018	1,054	1,152	1,232	1,222	1,324	1,366	1,465
Medium	162	161	189	211	209	205	219	231	245
Big	35	39	42	48	50	53	61	67	70
Civil Construction	3,031	3,179	3,312	3,544	4,106	4,726	5,878	6,815	7,336
Micro	2,671	2,782	2,900	3,012	3,570	4,123	5,163	6,030	6,494
Small	313	345	351	355	434	497	590	654	686
Medium	44	47	58	79	95	100	110	120	145
Big	3	5	3	8	7	6	15	11	11
Trade	33,557	35,728	37,430	39,351	42,170	44,759	48,335	51,618	53,356
Micro	32,274	34,423	36,032	37,813	40,459	42,968	46,331	49,512	51,183
Small	1,176	1,205	1,277	1,398	1,566	1,645	1,833	1,912	1,956
Medium	105	98	118	137	143	143	166	188	208
Big	2	2	3	3	2	3	5	6	9
Services	25,411	26,580	27,218	28,898	30,711	33,144	36,008	38,907	40,805
Micro	23,299	24,277	24,862	26,327	28,034	30,253	32,770	35,430	37,142
Small	1,552	1,679	1,733	1,902	2,014	2,182	2,483	2,655	2,823
Medium	430	483	478	516	509	536	580	641	663
Big	130	141	145	153	154	173	175	181	177
Outsiders	-	-	-	-	2	-	-	-	-
Micro	-	-	-	-	2	-	-	-	-
Small	-	-	-	-	-	-	-	-	-
Medium	-	-	-	-	-	-	-	-	-
Big	-	-	-	-	-	-	-	-	-

Source: Ministry of Labor and Employment / RAIS.

Compiled by: IMB / SEGPLAN-GO / Department of Systematization and Dissemination of Socioeconomic Information – 2014.

Note: Micro: up to 19 employees
 Small: from 20 to 99 employees
 Medium: from 100 to 499 employees
 Big: over 500 employees

9 – BALANCE OF TRADE

STATE OF GOIÁS and Brazil: Balance of Trade – 2002 – 13.

(US\$ 1,000 FOB)

Year	Goiás			Brazil		
	Exports	Imports	Balance	Exports	Imports	Balance
2002	649,314	326,740	322,574	60,438,653	47,242,654	13,195,999
2003	1,103,187	376,772	726,415	73,203,222	48,325,652	24,877,570
2004	1,413,115	625,712	787,403	96,677,839	62,835,616	33,842,223
2005	1,817,393	724,009	1,093,384	118,529,185	73,600,376	44,928,809
2006	2,093,111	992,574	1,100,537	137,807,470	91,350,580	46,456,889
2007	3,184,780	1,701,925	1,482,855	160,649,073	120,617,446	40,031,627
2008	4,091,752	3,050,197	1,041,555	197,942,443	172,984,768	24,957,675
2009	3,614,964	2,852,690	762,273	152,994,743	127,722,343	25,272,400
2010	4,044,661	4,175,313	-130,652	201,915,285	181,768,427	20,146,858
2011	5,605,193	5,728,434	-123,241	256,039,575	226,246,756	29,792,819
2012	7,314,578	5,124,612	2,189,966	242,578,014	223,183,477	19,394,537
2013 (1)	7,042,674	4,840,009	2,202,665	242,178,649	239,620,905	2,557,744

Source: Department of Development, Industry and Foreign Trade.

Compiled by: IMB / SEGPLAN-GO / Department of Systematization and Dissemination of Socioeconomic Information – 2014.

Note: Data revised in december 2007, Preliminary

(1) January to december

10 – POWER

STATE OF GOIÁS: Number of power consumers according to category – 2002 – 13.

Year	Total	Residence	Industry	Trade	Rural	Public Authority	Public Light	Public Service	Private
2002	1,746,886	1,457,830	17,118	140,480	117,407	11,629	581	1,475	366
2003 (1)	1,820,545	1,521,582	16,336	142,740	125,304	12,012	582	1,624	358
2004 (1)	1,878,680	1,574,178	15,213	143,486	130,527	12,755	582	1,589	345
2005	1,942,112	1,626,671	14,114	147,916	137,458	13,337	587	1,672	357
2006	2,005,339	1,675,069	13,462	154,203	146,055	13,791	584	1,807	368
2007	2,076,622	1,727,193	12,330	167,761	152,458	14,115	584	1,825	356
2008	2,162,498	1,799,938	11,873	174,429	158,601	14,857	588	1,878	334
2009	2,242,143	1,838,563	10,620	211,394	163,099	15,604	587	1,951	325
2010	2,337,769	1,924,828	11,027	215,841	166,877	16,221	643	2,017	315
2011	2,438,243	2,016,123	11,183	220,574	170,604	16,719	648	2,091	301
2012	2,539,005	2,110,607	11,434	223,142	173,384	17,325	651	2,161	301
2013 (2)	2,647,721	2,214,307	11,338	223,587	177,535	17,784	640	2,241	289

Source: Central Eletric of Goiás / São Patrício Hydroelectrical Company.

Compiled by: IMB / SEGPLAN-GO / Department of Systematization and Dissemination of Socioeconomic Information – 2014.

(1) All supply included

(2) Preliminary

STATE OF GOIÁS: Power consumption according to category – 2002 – 13.

(Mwh)

Year	Total	Residence	Industry	Trade	Rural	Public Authority	Public Light	Public Service	Private
2002	6,435,778	2,051,095	1,810,720	1,016,249	725,906	161,928	429,925	235,235	4,720
2003 (1)	7,104,735	2,212,266	2,026,236	1,096,357	789,321	178,576	481,697	246,364	5,269
2004 (1)	7,645,719	2,359,398	2,244,394	1,144,421	848,632	228,918	492,286	258,983	5,302
2005	8,217,238	2,493,832	2,608,917	1,212,342	871,168	259,225	492,909	273,145	5,700
2006	8,490,470	2,583,170	2,749,643	1,274,523	827,855	272,503	485,598	291,107	6,071
2007	9,184,356	2,708,897	2,955,372	1,425,141	1,012,943	293,497	474,070	307,532	6,901
2008	9,657,068	2,840,130	3,150,610	1,548,812	1,014,639	300,283	484,039	311,338	7,217
2009	9,956,980	2,994,196	3,148,019	1,712,703	961,304	327,251	492,310	313,682	7,516
2010	10,871,505	3,297,525	3,354,745	1,866,995	1,142,199	354,406	511,782	336,469	7,383
2011	11,333,953	3,500,143	3,482,077	1,976,302	1,141,264	361,296	521,140	344,831	6,900
2012	12,157,442	3,806,250	3,727,884	2,124,258	1,216,253	383,020	534,322	359,152	6,302
2013 (1)	11,255,211	4,059,439	2,366,259	2,239,777	1,250,686	407,665	558,077	367,470	5,838

Source: Central Eletric of Goiás / São Patrício Hydroelectrical Company / SEINFRA.

Compiled by: IMB / SEGPLAN-GO / Department of Systematization and Dissemination of Socioeconomic Information – 2014.

(1) All supply included

(2) Preliminary

STATE OF GOIÁS: Energy Balance – 2000 – 10.

 (10³ Mwh)

Year	Generated Energy		Total	Energy Exported	Losses	Total Consumption
	Hydraulic	Thermal				
2000	21,650	88	21,738	14,310	850	6,578
2001	16,588	138	16,726	9,923	788	6,015
2002	16,857	353	17,210	9,809	965	6,436
2003	20,954	231	21,185	13,191	958	7,036
2004	22,705	291	22,996	13,980	936	8,080
2005	23,809	298	24,107	14,352	936	8,819
2006	27,553	257	27,810	17,855	974	8,981
2007	27,492	512	28,004	17,733	1,113	9,158
2008	24,329	897	25,226	14,456	1,270	9,500
2009	22,115	1,189	23,304	12,294	1,291	9,719
2010	28,003	1,463	29,466	17,644	1,290	10,532

Source: Infrastructure Secretariat of the State of Goiás / Telecommunications and Power Supervision.

Compiled by: IMB / SEGPLAN-GO / Department of Systematization and Dissemination of Socioeconomic Information – 2014.

Note: At the survey of the production of hydraulic energy was taking into account 50% of the energy generated at the plants located on border rivers.

11 - TELEPHONE

STATE OF GOIÁS, Middle West and Brazil: Operating mobile cell phones – 2004 – 13.

(thousand)

Year	Goiás	Middle West	Brazil	Share (%)	
				Goiás / Middle West	Goiás / Brazil
2004	2,167	6,656	65,606	32.56	3.30
2005	3,133	8,782	86,210	35.67	3.63
2006	3,586	9,397	99,919	38.16	3.59
2007	4,167	10,838	120,980	38.45	3.44
2008	5,075	13,256	150,641	38.28	3.37
2009	5,702	15,333	173,959	37.19	3.28
2010	6,728	17,683	202,944	38.05	3.32
2011	8,141	21,248	242,232	38.31	3.36
2012	8,926	23,091	261,775	38.66	3.41
2013	9,320	23,816	271,100	39.13	3.44

Source: National Telecommunications Agency.

Compiled by: IMB / SEGPLAN-GO / Department of Systematization and Dissemination of Socioeconomic Information – 2014.

12 - TRANSPORTATION

STATE OF GOIÁS: Highway Network – November/2013.

(Km)

Category	Total	Planned	Constructing	Unpaved	Paving	Paved
Total	27,903.6	3,787.0	-	8,227.2	2,097.6	13,795.8
Federal	6,238.9	2,459.3	-	73.0	240.4	3,466.2
State Passing	1,739.3	0.0	-	217.8	70.6	1,450.9
State	19,925.4	1,327.7	-	7,932.4	1,786.6	8,878.7

Source: Transportation and Workmanship Agency of Goiás..

Compiled by: IMB / SEGPLAN-GO / Department of Systematization and Dissemination of Socioeconomic Information – 2014.

Preliminary

GOIÂNIA: Boarding and Landing of passengers and freight at Goiânia airport – 2002 – 13.

Year	Passengers		Freight (tons)	
	Boarding	Landing	Boarding	Landing
2002	474,402	459,908	3,907	5,406
2003	442,550	414,632	3,152	5,102
2004	454,524	440,063	3,130	5,022
2005	621,456	601,910	2,501	4,927
2006	688,759	674,826	2,239	4,667
2007	767,454	756,614	2,113	4,492
2008	764,870	759,681	2,382	4,334
2009	865,596	864,569	2,463	3,183
2010	1,150,670	1,148,247	2,836	2,261
2011	1,371,991	1,372,512	3,213	3,626
2012	1,498,013	1,494,302	4,577	5,659
2013	1,472,704	1,441,479	3,831	4,628

Source: Brazilian Airport Infrastructure Company.

Compiled by: IMB / SEGPLAN-GO / Department of Systematization and Dissemination of Socioeconomic Information – 2014.

STATE OF GOIÁS and Goiânia: Amount of registered automotive vehicles per inhabitant – December/2013.

Specification	Amount of Vehicles	Population (inhabitants) (1)	Vehicles / 100 inhabitants
State of Goiás	3,264,075	6,434,052	50.73
Goiânia	1,139,432	1,393,579	81.76

Source: DETRAN-GO / IBGE.

Compiled by: IMB / SEGPLAN-GO / Department of Systematization and Dissemination of Socioeconomic Information – 2014.

(1) Estimated in 07/01/2013

13 - EDUCATION

STATE OF GOIÁS: Number of schools, classrooms and teachers in full activity – 2008 – 13.

Type	Schools (1)					Classrooms					Teachers in full activity (2)				
	2009	2010	2011	2012	2013	2009	2010	2011	2012	2013	2008	2009	2010	2011	2012
Total	4,859	4,575	4,465	4,452	4,525	35,645	37,507	37,042	37,252	38,101	62,655	63,258	65,364	66,223	65,313
Federal	11	11	15	17	16	253	275	356	386	397	464	543	571	772	886
State	1,095	1,102	1,072	1,052	1,052	10,362	10,535	10,131	9,365	9,337	22,533	22,487	22,914	22,059	19,701
Municipal	2,373	2,365	2,334	2,342	2,364	15,477	16,101	16,216	16,959	17,029	25,927	26,669	27,303	28,549	29,565
Privater	1,380	1,097	1,044	1,041	1,093	9,553	10,596	10,339	10,542	11,338	13,731	13,559	14,576	14,843	15,161

Source: Secretary of Education.

Compiled by: IMB / SEGPLAN-GO / Department of Systematization and Dissemination of Socioeconomic Information – 2014.

(1) The same school can offer one or more level of education.

(2) The same teacher can teach at more than one school and/or level of education.

STATE OF GOIÁS: Registered students according to education level – 2003 – 13.

Year	Total students	Creche	Preschool	Kindergarten	Elementary School	High School	Technical School (medium level)	Special	Youths & adults
2003	1,673,699	26,244	100,578	50,341	1,063,513	264,712	10,053	6,941	151,317
2004	1,664,214	28,216	130,933	-	1,059,068	275,153	8,721	7,844	154,279
2005	1,617,125	30,307	128,363	-	1,029,132	270,352	10,281	8,227	140,463
2006	1,595,722	34,899	102,892	-	1,032,596	280,747	11,835	8,301	124,452
2007	1,487,126	38,303	93,808	-	960,166	272,086	13,277	16,751	92,735
2008	1,462,653	42,330	104,342	-	934,804	262,535	13,073	21,626	83,943
2009	1,455,475	43,293	107,471	-	930,630	265,945	15,561	16,963	75,612
2010	1,458,120	45,950	112,799	-	915,568	268,903	16,048	18,430	80,422
2011	1,434,363	49,334	117,144	-	897,686	262,713	16,564	21,412	69,510
2012	1,431,096	52,272	120,822	-	895,633	259,827	18,124	23,579	60,839
2013(1)	1,433,348	56,057	127,252	-	882,981	259,787	20,293	23,995	62,983

Source: Ministry of Education / INEP / Secretary of Education.

Compiled by: IMB / SEGPLAN-GO / Department of Systematization and Dissemination of Socioeconomic Information – 2014.

(1) Preliminary

STATE OF GOIÁS, Middle West and Brazil: Number of schools, registrations and teachers at university level – 2009 – 12.

Region	University Education											
	Schools				Registrations				Teachers			
	2009	2010	2011	2012	2009	2010	2011	2012	2009	2010	2011	2012
Goiás	78	80	82	81	158,224	173,003	194,616	192,098	12,000	12,752	13,445	13,146
Middle West	243	244	235	236	453,787	495,240	537,006	547,768	32,752	32,637	33,802	33,982
Brazil	2,314	2,378	2,365	2,416	5,115,896	5,449,120	5,746,762	5,923,838	359,089	366,882	378,257	378,939

Source: Ministry of Education / Anísio Teixeira National Institute of Studies and Educational Researches.

Compiled by: IMB / SEGPLAN-GO / Department of Systematization and Dissemination of Socioeconomic Information – 2014.

STATE OF GOIÁS, Middle West and Brazil:

Number of higher education institutions according to academic structure and location – 2010 – 12.

Specification	Institutions														
	Total			Universities			Academic Centers			Colleges			CEFET and IFET		
	2010	2011	2012	2010	2011	2012	2010	2011	2012	2010	2011	2012	2010	2011	2012
Goiás	80	82	81	4	4	4	3	3	4	71	73	71	2	2	2
Public	8	8	8	3	3	3	-	-	1	3	3	2	2	2	2
Federal	3	3	3	1	1	1	-	-	-	-	-	-	2	2	2
State	1	1	1	1	1	1	-	-	-	-	-	-	-	-	-
Municipal	4	4	4	1	1	1	-	-	1	3	3	2	-	-	-
Private	72	74	73	1	1	1	3	3	3	68	70	69	-	-	-
Middle West	244	235	236	14	14	14	11	12	13	215	204	204	4	5	5
Public	17	18	19	9	9	9	-	-	1	4	4	4	4	5	5
Federal	9	10	10	5	5	5	-	-	-	-	-	-	4	5	5
State	4	4	4	3	3	3	-	-	-	1	1	1	-	-	-
Municipal	4	4	5	1	1	1	-	-	1	3	3	3	-	-	-
Private	227	217	217	5	5	5	11	12	12	211	200	200	-	-	-
Brazil	2,378	2,365	2,416	190	190	193	126	131	139	2,025	2,004	2,044	37	40	40
Public	278	284	304	101	102	108	7	7	10	133	135	146	37	40	40
Federal	99	103	103	58	59	59	-	-	-	4	4	4	37	40	40
State	108	110	116	38	37	38	1	1	1	69	72	77	-	-	-
Municipal	71	71	85	5	6	11	6	6	9	60	59	65	-	-	-
Private	2,100	2,081	2,112	89	88	85	119	124	129	1,892	1,869	1,898	-	-	-

Source: Ministry of Education / Anísio Teixeira National Institute of Studies and Educational Researches.

Compiled by: IMB / SEGPLAN-GO / Department of Systematization and Dissemination of Socioeconomic Information – 2014.
CEFET and IFET – Federal Center of Technological Education and the Federal Office of Education, Science and Technology

STATE OF GOIÁS, Middle West and Brazil: Illiteracy rate of people of 15 years and over – 2008 – 12.

Region	Illiteracy rate of people of 15 years and over (%)				
	2008	2009	2010	2011	2012
Goiás	9.30	8.61	7.95	7.17	7.29
Middle West	8.18	8.00	7.20	6.34	6.70
Brazil	9.96	9.70	9.63	8.59	8.67

Source: IBGE / PNAD.

Compiled by: IMB / SEGPLAN-GO / Department of Systematization and Dissemination of Socioeconomic Information – 2014.

STATE OF GOIÁS, Middle West and Brazil: Illiteracy rate of people of 10 years and over – 2008 – 12.

Region	Illiteracy rate of people of 10 years and over (%)				
	2008	2009	2010	2011	2012
Goiás	8.44	7.78	7.32	6.60	6.70
Middle West	7.42	7.25	6.64	5.78	6.13
Brazil	9.18	8.93	9.02	7.90	7.98

Source: IBGE / PNAD.

Compiled by: IMB / SEGPLAN-GO / Department of Systematization and Dissemination of Socioeconomic Information – 2014.

STATE OF GOIÁS: Illiteracy rate of people of 10 years and over, according to residence - 2008 – 12. (%)

Situation	Literate	Illiterate	Undefined
2008			
Total	91.56	8.44	-
Urban	92.31	7.69	-
Rural	84.95	15.05	-
2009			
Total	92.22	7.78	-
Urban	92.94	7.06	-
Rural	86.37	13.63	-
2010			
Total	92.68	7.32	-
Urban	93.41	6.59	-
Rural	95.92	14.08	-
2011			
Total	93.40	6.60	-
Urban	93.67	6.33	-
Rural	90.29	9.71	-
2012			
Total	93.28	6.70	-
Urban	93.86	6.14	-
Rural	87.00	13.00	-

Source: IBGE.

Compiled by: IMB / SEGPLAN-GO / Department of Systematization and Dissemination of Socioeconomic Information – 2014.

14 – PUBLIC SANITATION

STATE OF GOIÁS: Water Supply and Sewerage System – 2002 – 13.

Year	Water					Sewerage				
	Population serviced (thou inhab)	Population serviced (%)	Distribution System (thou m)	Volume (thou m ³ /year)		Population serviced (thou inhab)	Population serviced (%)	Distribution System (thou m)	Volume (thou m ³ /year)	
				Produced	Billed				Produced	Billed
2002	3,889	83	16,501	264,737	178,464	1,615	34	4,592	-	-
2003	4,089	83	17,415	268,491	175,638	1,696	34	4,806	-	-
2004	4,223	83	17,807	279,033	180,329	1,676	33	4,868	85,771	44,625
2005	4,297	81	18,436	298,118	187,850	1,710	32	5,262	87,891	68,423
2006	4,430	81	18,816	309,899	187,167	1,804	33	5,537	89,474	67,716
2007	4,128	85	19,845	321,840	200,013	1,749	36	5,916	96,024	75,994
2008	4,330	86	20,345	320,951	205,115	1,872	37	6,242	99,188	77,961
2009	4,465	87	20,705	327,005	209,499	1,997	39	6,575	103,133	88,577
2010	4,602	90	21,444	346,664	228,252	2,015	39	6,731	111,788	97,199
2011	4,729	91	22,021	357,253	237,165	2,134	41	7,280	116,541	101,701
2012	4,887	94	22,796	368,737	252,179	2,298	44	9,202	125,483	109,475
2013 (1)	5,173	94	23,865	377,024	260,790	2,487	45	9,392	132,253	117,296

Source: Goiás Sanitation S/A.

Compiled by: IMB / SEGPLAN-GO / Department of Systematization and Dissemination of Socioeconomic Information – 2014.

The information regarding volume refer to the period of january to december.

(1) Position: december, The information regarding volume refer to the period of january to december.

STATE OF GOIÁS: Water pipe connections according to category – 2002 – 13.

Year	Total	Residence	Trade	Industry	Public	Social	Commercial 2
2002	993,986	915,414	52,640	10,821	15,111	-	-
2003	1,045,310	961,820	56,994	10,531	15,965	-	-
2004	1,097,321	1,010,998	59,028	10,695	16,600	-	-
2005	1,131,443	947,291	37,297	9,802	16,903	96,756	23,394
2006	1,176,644	984,533	39,210	10,413	17,379	100,584	24,525
2007	1,248,696	1,063,381	46,498	12,348	18,007	87,989	20,473
2008	1,320,373	1,129,110	54,325	14,840	18,754	84,975	18,369
2009	1,391,219	1,180,013	64,791	18,383	19,887	86,611	21,534
2010	1,475,989	1,264,314	71,527	22,031	20,931	78,177	19,009
2011	1,570,974	1,355,424	78,425	24,970	22,041	72,671	17,443
2012	1,665,813	1,456,337	88,152	27,644	22,872	57,331	13,477
2013 (1)	1,761,328	1,545,762	95,867	29,430	23,664	54,766	11,839

Source: Goiás Sanitation S/A.

Compiled by: IMB / SEGPLAN-GO / Department of Systematization and Dissemination of Socioeconomic Information – 2014.

(1) Position: december

STATE OF GOIÁS: Water pipe meters according to category – 2002 – 13.

Year	Total	Residence	Trade	Industry	Public	Social	Commercial 2
2002	1,217,369	1,092,080	93,495	12,611	19,183	-	-
2003	1,281,002	1,147,521	100,938	12,222	20,321	-	-
2004	1,316,901	1,185,870	98,176	12,208	20,647	-	-
2005	1,327,795	1,100,637	54,148	10,808	20,578	100,349	41,275
2006	1,367,120	1,133,676	55,569	11,440	21,014	104,090	41,331
2007	1,436,354	1,208,823	65,639	13,411	21,756	90,984	35,741
2008	1,510,217	1,276,169	76,157	16,091	22,608	87,915	31,277
2009	1,583,901	1,334,857	81,788	19,820	22,866	90,103	34,467
2010	1,666,581	1,417,914	89,396	23,698	23,878	81,185	30,510
2011	1,762,883	1,510,113	97,550	26,951	24,976	75,438	27,855
2012	1,862,084	1,615,279	109,528	29,657	25,931	59,675	22,014
2013 (1)	1,959,395	1,706,230	118,130	31,825	26,787	57,006	19,417

Source: Goiás Sanitation S/A.

Compiled by: IMB / SEGPLAN-GO / Department of Systematization and Dissemination of Socioeconomic Information – 2014.

(1) Position: december

15 – PUBLIC HEALTH

STATE OF GOIÁS, Middle West and Brazil: Hospital, Beds, Registered establishments and Health professional – 2013.

Especification	Registered Establishments	Health professional	Beds (1)		
			Total	SUS	Not SUS
Goiás	7,980	63,318	18,809	12,333	6,476
Middle West	22,473	171,196	40,805	26,693	14,112
Brazil	265,291	2,210,959	504,327	348,221	156,106

Source: Ministry of Health.

Compiled by: IMB / SEGPLAN-GO / Department of Systematization and Dissemination of Socioeconomic Information – 2014.

(1) Hospital beds plus additional ICU beds

16 – SOCIAL INDICES

STATE OF GOIÁS, Middle West and Brazil: Total fertility rate, gross birthrate, infant mortality rate and life expectancy at birth – 2000 – 2009 and 2010.

Region	Total fertility rate (1)		Gross birthrate (2)		Infant mortality rate (3)		Life expectancy at birth	
	2000	2009	2000	2009	2000	2010	2000	2010
Goiás	2.20	1.80	21.40	15.24	23.90	17.70	71.4	73.2
Middle West	2.30	1.93	21.50	16.36	23.30	17.10	71.8	73.6
Brazil	2.40	1.94	21.40	15.77	30.10	16.70	70.4	73.8

Source: IBGE.

Compiled by: IMB / SEGPLAN-GO / Department of Systematization and Dissemination of Socioeconomic Information – 2014.

(1) Average number of live-born children per woman

(2) Number of live-born children per 1,000 inhabitants

(3) Number of deceased per 1,000 live-born infants

STATE OF GOIÁS and Brazil: Municipal Human Development Index -1991, 2000 and 2010.

Especificação	IDH-M			IDH-M Longevity			IDH-M Education			IDH-M Income			Ranking		
	1991	2000	2010	1991	2000	2010	1991	2000	2010	1991	2000	2010	1991	2000	2010
Goiás	0,487	0,615	0,735	0,668	0,773	0,827	0,278	0,439	0,646	0,633	0,686	0,742	9º	9º	8º
Brazil	0,492	0,612	0,727	0,662	0,727	0,816	0,278	0,456	0,637	0,647	0,692	0,739	-	-	-

Fonte: PNUD / IPEA / FJP / IBGE.

Compiled by: IMB / SEGPLAN-GO / Department of Systematization and Dissemination of Socioeconomic Information – 2014.

Note: There was a change in the methodology for calculating the IDHM compared to previous publication. Values IDHM 1999 and 2000 have been recalculated based on the new methodology. Therefore comparisons between indicators and analysis should be made only within the platform Atlas Brazil 2013.

Classification according IDH: Very high (above de 0,800)
High (0,700 to 0,799)
Medium (0,600 to 0,699)
Low (0,500 to 0,599)
Very low (0 to 0,500)

17 - EMPLOYMENT

STATE OF GOIÁS, Middle West and Brazil: Variation of the employment level – 2011 – 13.

Region	2011			2012			2013		
	Admissions	Dismissals	Balance	Admissions	Dismissals	Balance	Admissions	Dismissals	Balance
Goiás	747,969	678,417	69,552	767,042	699,937	67,105	798,028	737,197	60,831
Middle West	1,862,097	1,705,056	157,041	1,925,632	1,772,776	152,856	2,001,751	1,873,984	127,767
Brazil	21,780,011	19,813,562	1,966,449	21,743,957	20,428,380	1,315,577	22,092,164	20,974,993	1,117,171

Source: Ministry of Labor and Employment.

Compiled by: IMB / SEGPLAN-GO / Department of Systematization and Dissemination of Socioeconomic Information – 2014.

STATE OF GOIÁS: Balance of the variation of employment level according to the economic activity, as per municipality - 2012 – 2013.

Economic Activity	Estado de Goiás		Anápolis		Aparecida de Goiânia		Goiânia		Rio Verde	
	Balance(jan-dec)		Balance(jan-dec)		Balance(jan-dec)		Balance(jan-dec)		Balance(jan-dec)	
	2012	2013	2012	2013	2012	2013	2012	2013	2012	2013
Total	67,105	60,831	4,848	4,748	5,273	3,593	21,936	18,777	3,190	3,265
Extractive/ Mineral	598	-70	0	-5	-5	6	-44	22	10	7
Manufacture Ind,	14,301	10,816	1,737	1,536	604	379	2,518	1,752	512	5
Public utilities	1,037	1,018	618	71	280	385	171	-155	-5	-6
Civil Construction	6,457	4,134	-449	572	740	772	957	-60	429	188
Trade	13,954	14,079	1,240	980	1,254	1,096	4,460	4,776	498	633
Services	27,141	25,782	1,666	1,585	2,392	937	13,508	12,190	1,739	1,889
Public Administr,	93	-18	9	10	0	0	77	-36	1	0
Farming	3,524	5,090	27	-1	8	18	289	288	6	549

Source: Ministry of Labor and Employment.

Compiled by: IMB / SEGPLAN-GO / Department of Systematization and Dissemination of Socioeconomic Information – 2014.

Note: Variation of employment level

Balance indicates the difference between admissions and dismissals during a fixed period of time

STATE OF GOIÁS, Middle West and Brazil:

Number of formal jobs and average pay – 2007 -12.

Region	Formal Jobs (thousand)						Average pay (R\$)					
	2007	2008	2009	2010	2011	2012	2007	2008	2009	2010	2011	2012
Goiás	1,061	1,135	1,209	1,314	1,385	1,439	1,028.44	1,106.26	1,206.08	1,330.82	1,467.99	1,704.53
Middle West	3,050	3,224	3,418	3,631	3,849	3,983	1,513.84	1,668.14	1,808.16	1,953.21	2,085.92	2,287.84
Brazil	37,607	39,442	41,208	44,068	46,311	47,459	1,240.62	1,357.33	1,461.21	1,588.42	1,733.21	1,903.09

Source: Ministry of Labor and Employment./ RAIS.

Compiled by: IMB / SEGPLAN-GO / Department of Systematization and Dissemination of Socioeconomic Information – 2014.

Note: There was an error in RAIS in the year 2012 in the city of Alexânia-GO, Micro Region Surrounding the DF, specifically in the activity of Repair and Maintenance of Motor Vehicles. Thus the municipality were subtracted 10,724 jobs for correction.

STATE OF GOIÁS: Number of formal jobs – 2007 – 12.

Economic Activity	2007	2008	2009	2010	2011	2012	Absolute Change 2012/2011	Variation (%)2012/2011
Total	1,061,426	1,135,046	1,209,310	1,313,641	1,385,230	1,439,341	54,111	3.91
Extractive/ Mineral	6,356	6,765	6,811	7,708	8,508	9,224	716	8.42
Manufacture Ind,	177,306	184,991	188,356	204,593	224,316	236,483	12,166	5.42
Public utilities	8,782	9,228	9,528	8,988	9,317	10,251	934	10.02
Civil Construction	44,994	57,991	64,895	76,504	81,848	91,219	9,371	11.45
Trade	195,809	213,593	224,931	251,159	265,320	280,552	15,232	5.74
Services	281,734	292,563	317,786	344,557	382,339	410,347	28,008	7.33
Public Administr,	277,613	298,792	320,156	338,436	329,695	314,334	-15,361	-4.66
Farming	68,832	71,123	76,847	81,696	83,887	86,931	3,044	3.63

Source: Ministry of Labor and Employment.

Compiled by: IMB / SEGPLAN-GO / Department of Systematization and Dissemination of Socioeconomic Information – 2014.

Note: There was an error in RAIS in the year 2012 in the city of Alexânia-GO, Micro Region Surrounding the DF, specifically in the activity of Repair and Maintenance of Motor Vehicles. Thus the municipality were subtracted 10,724 jobs for correction.

STATE OF GOIÁS: People of 10 years and over and economically active population (PEA) - 2002 – 12.

(thou inhabitants)

Year	Resident Population	People of 10 years and over	Economically Active Population (PEA)	Proportion of PEA / Resident Population (%)
2002	5,348	4,356	2,711	50.69
2003	5,462	4,461	2,763	50.59
2004	5,571	4,571	2,910	52.23
2005	5,676	4,678	2,971	52.34
2006	5,778	4,827	3,015	52.18
2007	5,874	4,933	3,173	54.02
2008	5,965	5,009	3,251	54.50
2009	6,053	5,104	3,357	55.46
2010 (1)	6,004	5,093	3,158	52.60
2011	6,218	5,306	3,313	53.28
2012	6,296	5,386	3,347	53.16

Source: IBGE.

Compiled by: IMB / SEGPLAN-GO / Department of Systematization and Dissemination of Socioeconomic Information – 2014.

(1) For 2010 Census. Intercenso PNAD.

Note: The data in this table were reweighted by the 2008 revision of population projections, by IBGE, including the trend from 2000 to 2010.

STATE OF GOIÁS, Middle West and Brazil:

People 10 years or older, working at the week in question, according to the income classes of all jobs – 2012.

(thou inhabitants)

Nominal Income	Goiás		Middle West		Brazil	
		(%)		(%)		(%)
Total	3,187	100.00	7,462	100.00	94.713	100.00
Up to 1 Minimum Salaries	875	27.46	1,703	22.82	26.369	27.84
From 1 to 2 Minimum Salaries	1,133	35.55	2,723	36.49	31.911	33.69
From 2 to 3 Minimum Salaries	403	12.65	931	12.48	10.323	10.90
From 3 to 5 Minimum Salaries	368	11.55	899	12.05	9.668	10.21
From 5 to 10 Minimum Salaries	167	5.24	527	7.06	4.824	5.09
From 10 to 20 Minimum Salaries	50	1.57	203	2.72	1.602	1.69
Over 20 Minimum Salaries	16	0.50	80	1.07	561	0.59
No Income	107	3.36	259	3.47	6.734	7.11
Undeclared	68	2.13	137	1.84	2.722	2.87

Source: IBGE

Compiled by: IMB / SEGPLAN-GO / Department of Systematization and Dissemination of Socioeconomic Information – 2014.

(1) Including those who received only some kind of social benefit.

Note: The data in this table were reweighted by the 2008 revision of population projections, by IBGE, including the trend from 2000 to 2010.

STATE OF GOIÁS, Middle West and Brazil:

Value of monthly income and Gini Index of all income sources for employed people over 10 years old – 2006 – 09, 2011 e 2012.

Region	Average income of employed people – (R\$)						Gini Index (1)					
	2006	2007	2008	2009	2011	2012	2006	2007	2008	2009	2011	2012 ⁽²⁾
Goiás	769	884	944	1,012	1,280	1,452	0.500	0.507	0.497	0.503	0.465	0.457
Middle West	931	1,056	1,178	1,222	1,565	1,733	0.541	0.551	0.552	0.540	0.520	0.505
Brazil	786	855	937	1,006	1,240	1,388	0.540	0.528	0.521	0.518	0.501	0.498

Source: IBGE.

Compiled by: IMB / SEGPLAN-GO / Department of Systematization and Dissemination of Socioeconomic Information – 2014.

(1) Measures the degree of concentration of distribution, whose value varies from zero (perfectly equal) to one (maximum inequality).

(2) People of 15 years and over.

Note: The data in this table were reweighted by the 2008 revision of population projections, by IBGE, including the trend from 2000 to 2010.

STATE OF GOIÁS, Middle West and Brazil: Economically Active Population (PEA) – 2002 – 12.

(thou inhabitants)

Year	Goiás	Middle West	Brazil	Share (%)	
				Goiás / Middle West	Goiás / Brazil
2002	2,711	6,365	86,835	42.59	3.12
2003	2,763	6,456	88,593	42.80	3.12
2004	2,910	6,783	92,661	42.90	3.14
2005	2,971	7,025	95,747	42.29	3.10
2006	3,015	7,094	96,890	42.50	3.11
2007	3,173	7,381	97,875	42.99	3.24
2008	3,251	7,568	99,479	42.96	3.27
2009	3,357	7,752	101,073	43.30	3.32
2010 (1)	3,158	7,365	93,505	42.88	3.38
2011	3,313	7,786	100,223	42.55	3.31
2012	3,347	7,875	100,979	42.50	3.31

Source: IBGE.

Compiled by: IMB / SEGPLAN-GO / Department of Systematization and Dissemination of Socioeconomic Information – 2014.

(1) For 2010 Census. Intercenso PNAD.

Note: The data in this table were reweighted by the 2008 revision of population projections, by IBGE, including the trend from 2000 to 2010.

18– PEOPLE’S BANK

STATE OF GOIÁS: Numbers of the Bank of the People – 2013.

Specification	Amount
Released contracts	202
Jobs created	309
loan value	R\$ 1,159,176.78
Average amount released by venture	R\$ 5,532.67
Average amount invested per job created	R\$ 4,037.02

Source: SIC-GO / People's Bank.

Compiled by: IMB / SEGPLAN-GO / Department of Systematization and Dissemination of Socioeconomic Information – 2014.

19 - PUBLIC FINANCE

STATE OF GOIÁS: Gross revenue – 2003 – 13.

(R\$ thousand)

Year	Total	Taxes					Other Revenue
		Total	ICMS	IPVA	ITCD	Other Taxes	
2003	5,526,004	3,895,645	3,698,720	176,840	16,901	3,184	1,630,359
2004	6,167,223	4,209,450	3,978,116	204,297	23,393	3,644	1,957,774
2005	6,914,695	4,484,261	4,216,197	239,205	24,406	4,453	2,430,435
2006	7,392,479	5,080,286	4,764,279	280,905	30,510	4,592	2,312,193
2007	8,623,466	5,799,062	5,449,414	306,360	38,256	5,032	2,824,404
2008	10,356,686	7,023,955	6,538,716	354,010	56,220	75,009	3,332,731
2009	10,685,179	7,461,040	6,810,431	437,757	62,303	150,549	3,224,139
2010	12,797,893	8,940,598	8,170,085	526,868	69,346	174,299	3,857,296
2011	17,161,476	10,808,682	9,875,178	630,034	101,597	201,873	6,352,794
2012	18,964,509	12,415,479	11,369,285	695,508	138,639	212,047	6,549,030
2013 (1)	19,883,417	13,426,642	12,137,751	796,867	159,329	332,695	6,456,774

Source: State Treasury Secretary.

Compiled by: IMB / SEGPLAN-GO / Department of Systematization and Dissemination of Socioeconomic Information – 2014.

(1) January to december

ICMS – Tax on Transit of Goods and Services

IPVA – Tax on Automotive Vehicles

ITCD - Tax Transfer Cause Mortis and Donation of any goods or Rights

STATE OF GOIÁS: ICMS - Wholesale Distributing Trading – 2010 – 13 (R\$)

Specification	2010	2011	2012	2013 ⁽¹⁾
ESTADO DE GOIÁS	8,170,084,696.38	9,875,178,453.25	11,369,284,811.26	12,137,751,445.63
Trade and Wholesale Distributor	1,107,960,304.21	1,113,510,330.88	1,602,384,305.37	1,798,950,872.74
Retail Commerce	1,023,161,619.39	1,037,488,991.75	1,349,581,308.74	1,449,902,454.00
Mineral or fossil extraction	53,137,485.57	59,856,203.48	65,345,346.72	97,805,656.20
Industry	1,810,639,164.50	1,875,154,017.11	2,216,942,837.57	2,486,389,728.54
Services	173,916,241.38	200,389,828.89	222,490,570.11	245,484,919.14
Farming	166,850,890.13	165,493,264.89	223,565,946.06	245,155,904.87
Combustible	1,834,763,121.41	2,323,706,643.48	2,468,123,271.72	3,008,523,660.05
Communication	777,403,700.29	1,014,199,019.91	957,593,125.33	1,045,514,810.08
Electric Power	777,007,914.87	1,146,478,616.72	1,834,537,882.02	1,300,532,599.20
Outthers	445,244,254.63	938,901,536.14	428,720,217.62	459,490,840.81

Source: State Treasury Secretary.

Compiled by: IMB / SEGPLAN-GO / Department of Systematization and Dissemination of Socioeconomic Information – 2014.

(1) January to december.

20 – STATE BUDGET

STATE OF GOIÁS: Consolidated budgets - 2014. (R\$ thousand)

Budgets	Treasury	Other sources	Total	%
Fiscal budgets	13.815.640	4.446.941	18.262.581	82,27
Direct administration	10.650.441	618.670	11.269.111	50,76
Indirect administration	1.959.247	906.713	2.865.960	12,91
Specials funds	1.205.952	2.921.558	4.127.510	18,59
Social security budget	1.728.280	1.342.984	3.071.264	13,84
Direct administration	-	21.853	151.863	0,68
Indirect administration	130.010	1.055.945	1.055.945	4,76
Specials funds	1.598.270	265.186	1.863.456	8,39
Investment budget of state enterprises	-	865.132	865.132	3,90
Grand total	15.543.920	6.655.057	22.198.977	100,00

Source: SEPLAN/GO/ Budget Law of the State of Goiás - 2014

Compiled by: IMB / SEGPLAN-GO / Department of Systematization and Dissemination of Socioeconomic Information – 2014.

(1) January to december.

STATE OF GOIÁS: Statement from the Social Security Budget according to the sources of funds and economic categories - 2014. (R\$ thousand)

Units	Sources		Economic Category		Total
	Treasury	Others	Corrent	Capital	
Direct Administration					
Bureau of Citizenship and Labor	126.910	21.853	133.058	15.705	148.763
Department of Health	3.100	0	3.100	0	3.100
Indirect Administration					
Public Servants Assistance Institute of the State of Goiás - IPASGO		1.012.775	1.009.271	3.504	1.012.775
Goiás Security - GOIASPREV		43.170	41.029	2.141	43.170
Specials Funds					
Social Assistance Fund - FEAS	5.545	5.545	894	10.155	11.049
State Fund Rights of Child and Youth - FECAD	4	109	4	109	113
State Health Fund - Fes	1.592.521	254.350	1.537.694	309.177	1.846.871
Special fund management of State School of Public Health Candido Santiago - FUNGESP	200	5.223	4.266	1.157	5.423
Total	1.728.280	1.342.984	2.729.421	341.843	3.071.264

Source: SEPLAN/GO/ Budget Law of the State of Goiás - 2014

Compiled by: IMB / SEGPLAN-GO / Department of Systematization and Dissemination of Socioeconomic Information – 2014.

(1) January to december.

STATE OF GOIÁS: Expense in 2012 and Fixed Expense in 2013. (R\$ thousand)

Discrimination	Expenditure in 2012	Fixed expense in 2013
Current Expenses	8.447.168	11.313.424
Staff and Socials Debts	6.135.142	7.562.592
Interest and Debt Charges	949.678	1.002.578
Others current Expenses	1.362.348	2.748.254
Capital Expenses	933.131	2.727.795
Investment	152.621	1.840.772
Financials Inversions	1.164	42.383
Debt Amortization	779.346	844.640
Contingency Reserve	340.001	390.597
Total	9.720.300	14.431.816

Source: SEPLAN/GO/ Budget Law of the State of Goiás - 2014

Compiled by: IMB / SEGPLAN-GO / Department of Systematization and Dissemination of Socioeconomic Information – 2014.

(1) January to december.

STATE OF GOIÁS: Evolution of General Revenue collected - 2010-14. (US \$ million)

Specification	2010	2011	2012	2013	2014
Current Revenues	12.067	14.815	16.462	18.212	18.842
Tax Revenues	8.660	10.123	11.848	12.378	14.140
Taxes	8.657	10.120	11.845	12.375	14.137
Taxes Without Property Taxes and Income Taxes	1.059	1.273	1.528	1.446	1.832
Taxes Without the Tax Income and Earnings of any Nature	483	567	717	602	822
Tax Without Ownership of Motor Vehicles	508	607	676	725	844
Tax on Transmission	68	99	135	120	166
Tax Without the Production and Circulation	7.598	8.847	10.316	10.928	12.306
Fees	3	3	3	4	3
Patrimonial Revenue	15	332	134	32	100
Services Revenues	0	0	0	0	0
Current Transfers	3.025	3.547	3.708	4.334	4.105
Covenants Transfers	20	19	24	614	56
Others Currente Revenues	367	813	772	854	440
Capital Revenues	231	1.804	1.789	3.485	3.336
Credit Operations	198	1.760	1.725	2.093	2.341
Alienation Property	0	0	0	339	410
Capital Transfers	32	43	64	1.052	585
Covenats Transfers	32	43	64	1.052	585
Others Capital Revenues	0	0	0	2	0
Revenue Deductions	-1.572	-4.612	-5.258	-5.599	-5.994
Treasury Total Revenue	10.727	12.006	12.993	16.098	16.184
Municipalities / Foundations Total revenue	1.570	1.823	2.726	3.329	3.301
Special Funds Total Revenues	1.111	1.033	1.303	1.592	1.848
Companies Total Income (estimated)	1.082	1.155	956	1.179	865
Overall Total Revenue	14.490	16.017	17.978	22.198	22.199

Source: SEPLAN/GO/ Budget Law of the State of Goiás - 2014

Compiled by: IMB / SEGPLAN-GO / Department of Systematization and Dissemination of Socioeconomic Information – 2014.

(1) January to december.

STATE OF GOIÁS: Fixed Expenses by Government Function - 2012-14. (R\$ thousand)

Budget Funcion	Budgeted Amount 2012	Budgeted Amount 2013	Budgeted Amount 2014
Education	2.475.816	3.364.774	3.463.778
Health	2.871.685	2.574.605	2.829.128
Transport	229.198	2.152.300	2.512.388
Administration	1.765.873	2.346.233	2.353.008
Special Charges	3.686.740	2.243.223	2.244.015
Social Security	1.895.131	1.885.489	2.072.389
Public Security	1.452.123	1.841.866	2.021.087
Judicioary	573.341	870.749	947.969
Legislative	400.702	472.037	541.458
Science and Technology	138.996	385.796	483.245
Contingency Reserve	367.523	428.397	389.325
Citizenship Rights	76.828	97.846	358.876
Essential to Justice	197.520	314.788	270.310
Social assistance	3.396	182.675	169.344
Industry	1.086	124.696	134.764
Agriculture	146.473	145.570	126.458
Trade and Services	66.971	139.834	119.608
Sports and Leisure	14.499	87.336	83.020
Habitation	1.838	340.082	65.394
Sanitation	29.413	488.728	41.247
Culture	5.074	32.770	39.953
Urbanism	20.597	403.072	31.336
Labor	5.609	6.655	19.874
Environmental Management	4.987	24.855	14.913
Comunications	5.118	614	641
Energy	61.746	64.144	317
Total	16.498.283	21.019.134	21.333.845

Source: SEPLAN/GO/ Budget Law of the State of Goiás - 2014

Compiled by: IMB / SEGPLAN-GO / Department of Systematization and Dissemination of Socioeconomic Information – 2014.

(1) January to december.

STATE OF GOIÁS: Budget 2014 - Major Social Programs. (R\$ thousand)

Program	Budgeted Amount
Protection Program / Social Inclusion and Management of SUAS	109.601
Citizen Program Income - A Step Forward	108.010
Future Scholarship Program	88.676
System of Socio-Management Program	55.027
Live Better Program	53.262
Program Coordination and Participation Policy	35.080
The State Employment System Management Program	12.774
Regularization Home Program	12.132
Promotion and Guarantee of the Rights of Persons with Disabilities Program - PROAD	3.972
Promotion and Guarantee of Elderly Rights Program	2.271
Social Movements Support Program	1.484
Judicial and Extrajudicial Assistance Program	1.237
Citizenship Program - A Challenge of Gender, Ethnicity and Diversity	883
Promotion and Guarantee of the Rights of the Child and Youth Program	813
Total	485.222

Source: SEPLAN/GO/ Budget Law of the State of Goiás - 2014

Compiled by: IMB / SEGPLAN-GO / Department of Systematization and Dissemination of Socioeconomic Information – 2014.

(1) January to december.

21 – FINANCING AND INVESTMENTS
STATE OF GOIÁS, Middle West and Brazil: Investments – BNDES - Outlay - 2005 – 13. (R\$ thousand)

Year	Goiás	Middle West	Brazil	Share %	
				Goiás/Middle West	Goiás/Brazil
2005	912.374	3,270.579	46,980.300	27.90	1.94
2006	1,136.831	3,658.802	51,318.500	31.07	2.22
2007	2,384.405	5,754.677	64,891.700	41.43	3.67
2008	4,768.192	9,906.559	90,877.908	48.13	5.24
2009	5,132.200	10,738.100	136,356.400	47.79	3.76
2010	4,340.815	11,366.573	168,422.854	38.19	2.58
2011	4,386.624	11,348.000	138,873.000	38.66	3.16
2012	3,145.352	20,098.081	155,992.270	15.65	2.16
2013	5,085.454	20,898.732	190,419.035	24.33	2.67

Source: Brazilian Social and Economical Development Bank.

Compiled by: IMB / SEGPLAN-GO / Department of Systematization and Dissemination of Socioeconomic Information – 2014.

STATE OF GOIÁS: Approved projects with incentives/PRODUZIR – 2007 – 12.

Ano	Companies	Nº of jobs	Fixed investment (R\$ thousand)
2007	144	35,944	8,326,506
2008	80	18,330	6,654,210
2009	91	11,040	2,023,903
2010	93	7,135	764,918
2011	73	5,810	2,018,967
2012	78	5,414	786,889

Source: SIC-GO / PRODUZIR.

Compiled by: IMB / SEGPLAN-GO / Department of Systematization and Dissemination of Socioeconomic Information – 2014.

STATE OF GOIÁS: Approved projects with incentives/PRODUZIR by activity – Position: 07/03/2013.

Activity	Companies	Nº of jobs	Fixed investment (R\$ thousand)
Total	60	4,374	889,806
Extraction of minerals	1	183	556,910
Motor Vehicles	1	64	93,890
Distillery	2	187	55,677
Food products	4	115	44,377
Precast concrete	1	97	18,153
seeds	1	110	15,900
Sourcing	1	133	14,775
metallurgical products	1	67	11,500
mineral water	1	147	10,850
packaging	6	135	7,530
Dairy	1	299	5,270
Ask automobilística and furniture	1	107	4,645
clothing	1	114	4,480
mattresses	1	412	4,000
recyclables	1	16	3,379
road transport	3	228	3,030
Miter	1	10	2,810
plastics	1	24	2,596
Extraction of sand	1	2	2,579
metallurgical	3	256	4,629
woods	1	55	2,141
Artifact cement	1	54	2,040
PVC Industry	1	56	1,920
Transportation	2	44	1,895
pharmaceutical	1	189	1,893
brewery	1	12	1,881
concrete	1	31	1,650
pneumatic	2	191	1,650
Paints and varnishes	1	25	1,500

Source: SIC-GO / PRODUZIR.

Compiled by: IMB / SEGPLAN-GO / Department of Systematization and Dissemination of Socioeconomic Information – 2014.

STATE OF GOIÁS and Middle West: Admission programs using CFMW funds – 2012 – 2013.

Program	Goiás				Middle West			
	Quantity		Nominal values (R\$ 1,000)		Quantity		Nominal values (R\$ 1,000)	
	2012	2013	2012	2013	2012	2013	2012	2013
Total	27,469	18,259	1,870,447	2,029,508	62,711	46,973	5,860,969	6,092,080
FCO Companies	5,816	6,776	718,630	984,180	18,060	20,259	2,546,764	2,867,166
Companies	5,803	6,762	712,745	975,231	17,995	20,168	2,528,175	2,837,599
Industrial	1,893	1,619	375,143	549,820	4,497	3,841	1,281,582	937,643
Infrastructure	29	26	32,014	35,809	70	60	74,590	116,353
Tourism	372	294	69,473	36,806	1,356	1,345	214,845	233,319
Trade / Services / CT & I	3,509	4,823	236,116	352,797	12,072	14,922	957,157	1,550,284
Business transfer (1)	13	14	5,885	8,949	65	91	18,589	29,567
FCO Rural	21,653	11,483	1,151,816	1,055,328	44,651	26,714	3,314,205	3,224,914
Rural	5,636	4,565	810,222	894,884	11,972	10,053	2,508,951	2,747,739
Rural / Integration	-	-	-	-	-	-	-	-
Dev. Rural(1)	5,567	4,528	489,920	888,393	11,644	9,772	2,325,116	2,429,162
ABC-Cons. Nature (1)	69	35	20,302	6,407	274	208	163,899	290,750
ABC- ILPF(1)	-	-	-	-	-	-	-	-
Retention matrices(1)	-	2	-	84	54	73	19,936	27,826
Total PRONAF	15,824	6,868	322,403	154,526	32,428	16,484	776,899	434,388
PRONAF	15,364	6,528	316,303	150,319	30,315	14,566	747,006	405,725
PRONAF – RA	460	340	6,100	4,207	2,113	1,918	29,893	28,663
Pronatureza	-	-	-	-	-	-	-	-
Defrayal	-	-	-	-	-	-	-	-
Rural – transfer (1)	193	50	19,191	5,918	251	177	28,355	42,787

Source: Bank of Brazil / Constitutional Fund for the Middle West.

Compiled by: IMB / SEGPLAN-GO / Department of Systematization and Dissemination of Socioeconomic Information – 2014.

- CT & I: Science, Technology and Innovation

- ABC-ILPF: Low Cost Carbon Farming - Mode Crop-Livestock-Forest.

(1) Variables included from December 2012.

STATE OF GOIÁS and Middle West: Jobs created per program with resources from CFMW – 2010 – 13.

Programa	Goiás				Middle West			
	2010	2011	2012	2013	2010	2011	2012	2013
Total	191,024	207,793	208,355	204,956	486,494	550,691	590,815	609,012
Total Companies	66,820	67,658	63,819	74,816	192,411	214,198	183,261	219,593
Companies	66,820	67,658	63,534	74,646	192,411	214,198	182,495	218,599
Industrial	41,816	35,577	41,291	42,449	100,207	102,345	97,362	88,015
Infrastructure	142	7,100	521	1,888	226	26,690	1,967	4,774
Tourism	6,124	3,456	3,385	28,227	20,856	10,662	12,004	113,456
Trade / Services / CT & I	18,738	21,525	18,337	2,082	71,122	74,501	71,162	12,354
Business transfer (1)	-	-	285	170	-	-	766	994
Total Rural	124,204	140,135	144,536	130,140	294,083	336,493	407,554	389,419
Rural	50,560	61,083	78,943	97,421	116,873	144,387	237,621	285,027
Rural / Integration	50,560	61,083	-	-	116,873	144,387	-	-
Dev. Rural(1)	-	-	76,602	96,674	-	-	216,309	247,977
ABC-Cons. Nature (1)	-	-	2,341	737	-	-	19,014	33,841
ABC- ILPF(1)	-	-	-	-	-	-	-	-
Retention matrices(1)	-	-	-	10	-	-	2,298	3,209
Total PRONAF	73,644	79,052	65,332	32,623	177,210	192,106	169,511	103,779
PRONAF	66,790	72,490	59,863	28,954	125,268	146,722	141,806	78,003
PRONAF – RA	5,301	3,987	5,469	3,669	43,038	36,843	27,705	25,776
Pronatureza	1,553	2,575	-	-	8,904	8,541	-	-
Rural – transfer (1)	-	-	261	96	-	-	422	613

Source: Bank of Brazil / Constitutional Fund for the Middle West.

Compiled by: IMB / SEGPLAN-GO / Department of Systematization and Dissemination of Socioeconomic Information – 2014.

- CT & I: Science, Technology and Innovation

- ABC-ILPF: Low Cost Carbon Farming - Mode Crop-Livestock-Forest.

(1) Variables included from December 2012.

STATE OF GOIÁS: Contracts and Financings of the Agency of Incentives and Development of Goiás – 2010 – 13.

Specification	Amount of Contracts				Released Value (R\$ thousands)			
	2010	2011	2012	2013 (1)	2010	2011	2012	2013 (1)
Total	816	1,092	1,257	642	6,176,690	8,602,120	3,446,337	2,160,281
Own resources for investment	415	511	861	190	11,719	18,492	39,770	6,843
Working Capital	409	481	666	156	11,512	16,848	27,476	5,702
Fixed Investment	6	21	130	26	207	1,236	5,008	692
Mixing Investment	-	9	65	8	-	408	7,286	449
Own resources for activity	415	511	861	190	11,719	18,492	39,770	6,843
Trade	307	339	479	102	7,838	11,159	18,075	3,604
Services	68	109	270	61	2,420	4,860	12,747	2,201
Industry	40	63	111	27	1,461	2,473	7,699	930
Agribusiness(CRA)	-	-	1	-	-	-	1,249	108
Managed Funds	398	572	383	442	6,164,550	8,581,547	3,400,735	2,147,041
FUNMINERAL	22	12	12	12	1,115	1,143	3,704	2,475
Production Credit	320	498	344	401	3,720	6,240	4,289	5,688
PRODUZIR	56	62	27	29	6,159,745	8,574,164	3,392,742	2,138,879
Transfer Resources	3	9	13	10	421	2,081	5,832	6,397
FCO	3	9	11	8	421	2,081	4,837	5,792
BNDES	-	-	2	2	-	-	995	605

Source: Agency of Incentives and Development of Goiás S/A.

Compiled by: IMB / SEGPLAN-GO / Department of Systematization and Dissemination of Socioeconomic Information – 2014.

(1) Position: may

STATE OF GOIÁS: Results of the Agency of Incentives and Development of Goiás – 2000 until 05/31/2013.

Specification	Amount
Reached municipalities	232
Generated and kept jobs	315,053
Enabled entrepreneurs	67,247

Source: Agency of Incentives and Development of Goiás S/A.

Compiled by: IMB / SEGPLAN-GO / Department of Systematization and Dissemination of Socioeconomic Information – 2014.